


CM 90-LG/H 12,5/BO BK

Order No.: 2944876

The illustration shows versions CM 62-LG/H 35/BO and CM 90-LG/H 12,5 BO

<http://eshop.phoenixcontact.de/phoenix/treeViewClick.do?UID=2944876>Electronic module, for PCB insertion, with a 12.5 mm tall covering
hood

Commercial data

GTIN (EAN)	
sales group	F030
Pack	4 pcs.
Customs tariff	85472000
Catalog page information	Page 600 (CC-2009)

Product notes

WEEE/RoHS-compliant since:
03/01/2005

<http://www.download.phoenixcontact.com>
Please note that the data given here has been taken from the online catalog. For comprehensive information and data, please refer to the user documentation. The General Terms and Conditions of Use apply to Internet downloads.

Technical data

General

Housing type	Complete housing
Housing material	Polycarbonate fiber reinforced
Color	black

Dimensions / positions

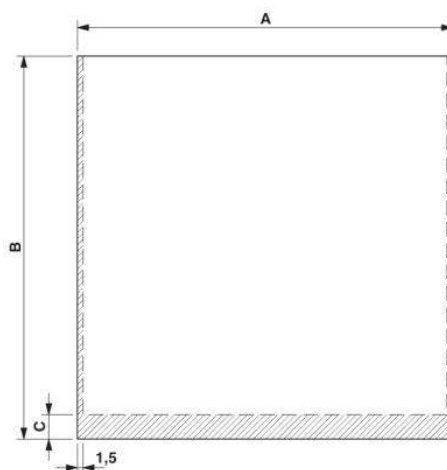
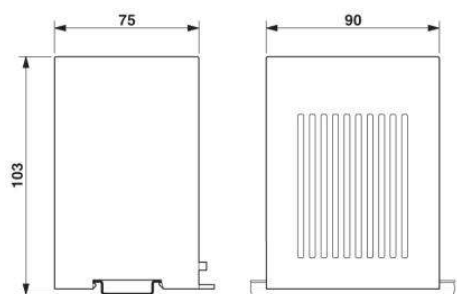
Length	75 mm
Width	90 mm

Technical data

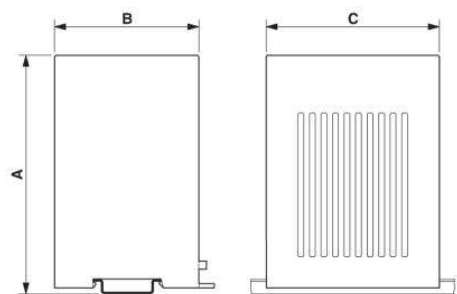
Ambient temperature (operation)	-40 °C ... 125 °C
Inflammability class acc. to UL 94	V0
Power dissipation at 20°C in the horizontal mounting position	37 W 48.1 W

Diagrams/Drawings

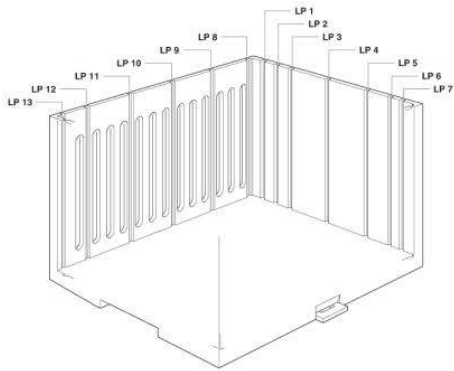
Dimensioned drawing



PCB 1, 7: Dimension A: 87.5 mm; B: 102.0 mm; C: 0 mm
 PCB 8, 13: Dimension A: 72.5 mm; B: 102.0 mm; C: 0 mm



Schematic diagram



Address

PHOENIX CONTACT Deutschland GmbH
Flachmarktstr. 8
32825 Blomberg, Germany
Phone +49 5235 3 12000
Fax +49 5235 3 41200
<http://www.phoenixcontact.de>



© 2011 Phoenix Contact
Technical modifications reserved;