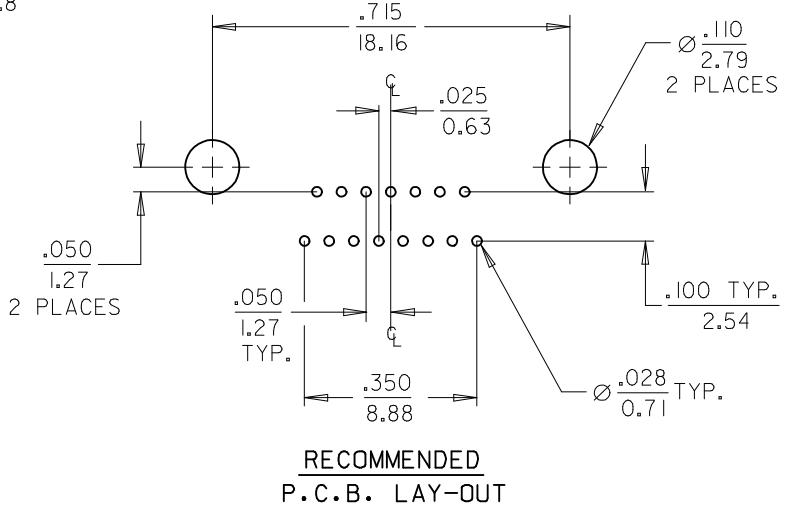
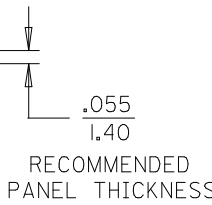
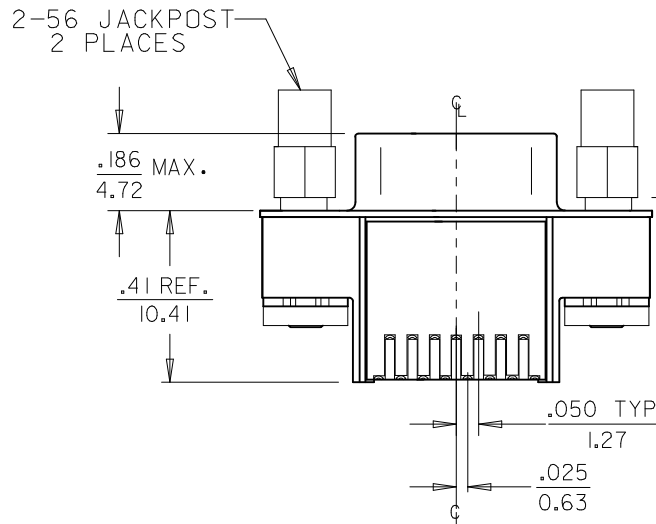
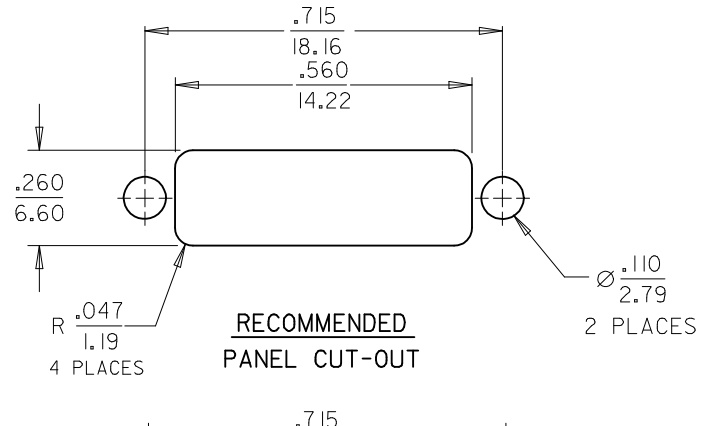
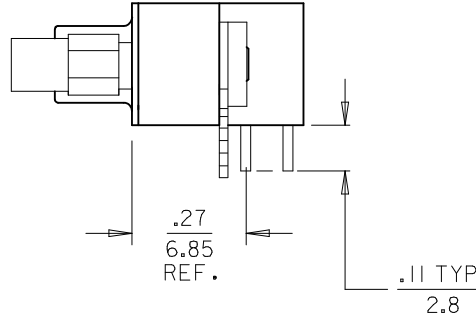
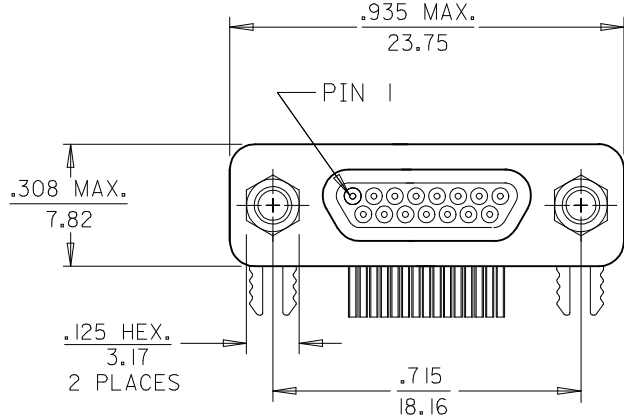


MATERIAL NO.	ENG. NO.
836129201	83612-9201



SALES DRAWING

2. MARKING: NONE.
 1. REFER TO PS-83421-9000 FOR PRODUCT SPECIFICATION.
 NOTES: UNLESS OTHERWISE SPECIFIED.

DD-MMM-YYYY
 HHMM
 WORK AREA
 PLOT
 CRP***USERNAME***

RELEASED
 EC NO. ECT2004-0096
 DRWN: JAL 03/11/04
 CHK: JPP 03/11/05
 APPR: RWD 03/11/06

QUALITY SYMBOLS
 MAJOR $\blacktriangledown = 0$
 CRITICAL $\blacktriangledown C = 0$

GENERAL TOLERANCES: (UNLESS SPECIFIED)	mm	INCH
	4 PLACES ± 0.000	$\pm .000$
	3 PLACES ± 0.001	$\pm .0010$
	2 PLACES ± 0.002	$\pm .0020$
	1 PLACE ± 0.005	$\pm .0050$
ANGULAR: $\pm 1^\circ$		
DRAFT WHERE APPLICABLE MUST REMAIN WITHIN DIMENSIONS		

SCALE NONE
 DESIGN UNITS mm INCH
 DRAWN BY & DATE JAL 03/11/04
 CHECKED BY & DATE JJP 03/11/05
 APPROVED BY & DATE RWD 03/11/06

THIRD ANGLE PROJECTION
 DIMENSIONS: mm INCH mm ONLY
 SHT REV
 REVISE ON CAD ONLY
 TITLE: CONNECTOR, COMMERCIAL-D, PLUG, RIGHT ANGLE, JACKPOST, SIZE 1
 MOLEX INCORPORATED
 CAD FILENAME SD83612010.DGN MATERIAL NO. (SEE CHART) DRAWING NO. SD-83612-010 SHEET NO. 1 OF 1
 THIS DRAWING CONTAINS INFORMATION THAT IS PROPRIETARY TO MOLEX INCORPORATED AND SHOULD NOT BE USED WITHOUT WRITTEN PERMISSION. SIZE B