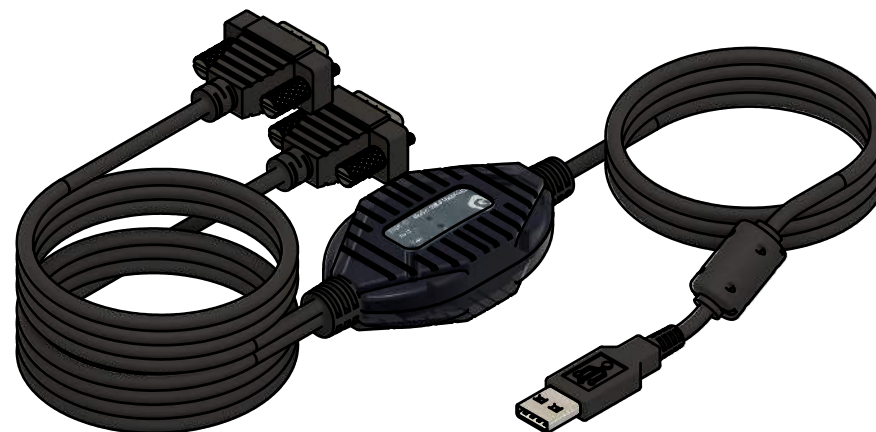
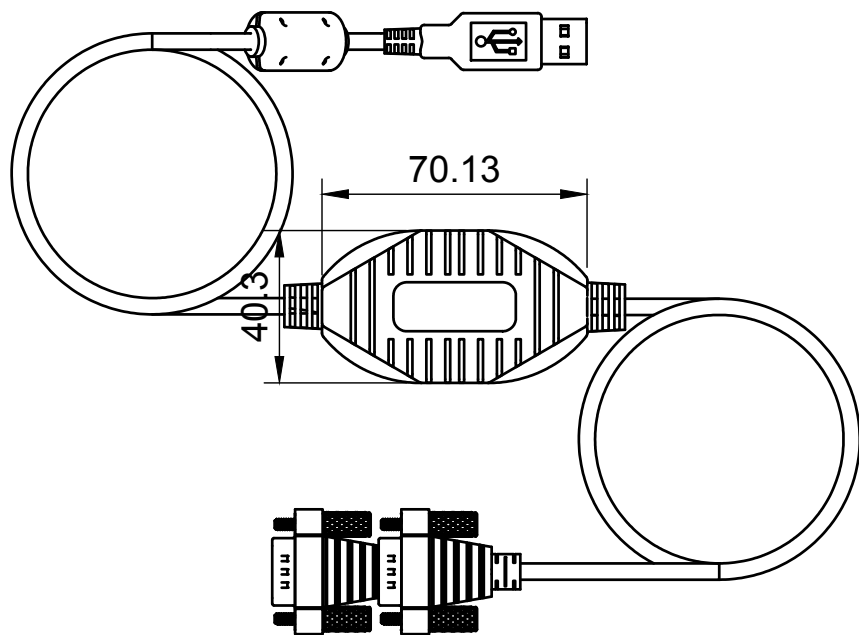
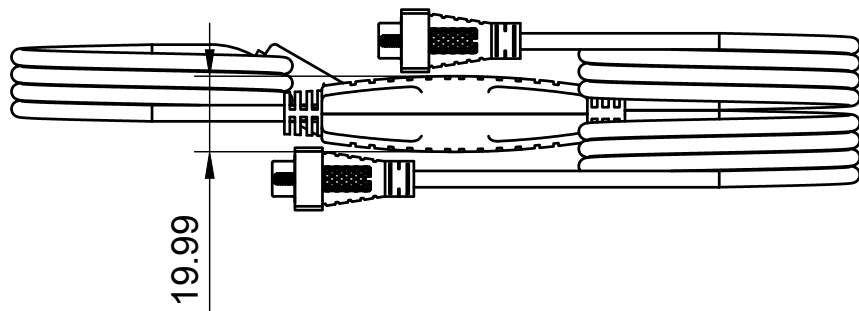

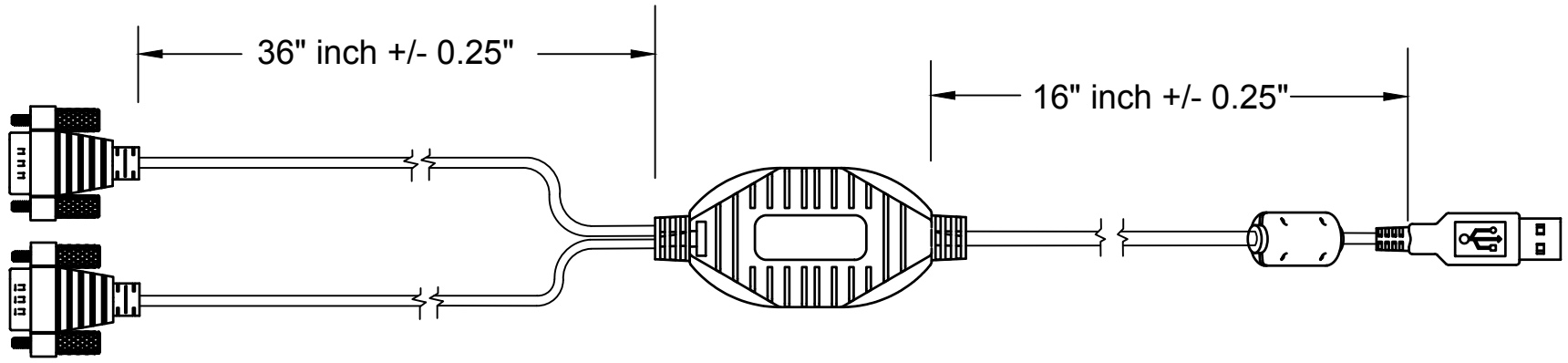



# Basic Measurements



		Model #:	
		GM-FTDI2X-LED	
Drawn by: Leo Pinto		Scale: 1:2	Units: mm
Drawn Date: 5/25/21		Tolerance: +/- 0.15mm	
Notes:		Contact: support@gearmo.com	
		Web: gearmo.com	
		A4	1/2



		Model #: GM-FTDI2X-LED	
Drawn by: Leo Pinto		Scale: 1:2	Units: mm
Drawn Date: 5/25/21		Tolerance: +/- 0.15mm	
Notes:		Contact: support@gearmo.com	
		Web: gearmo.com	
		A4	2/2