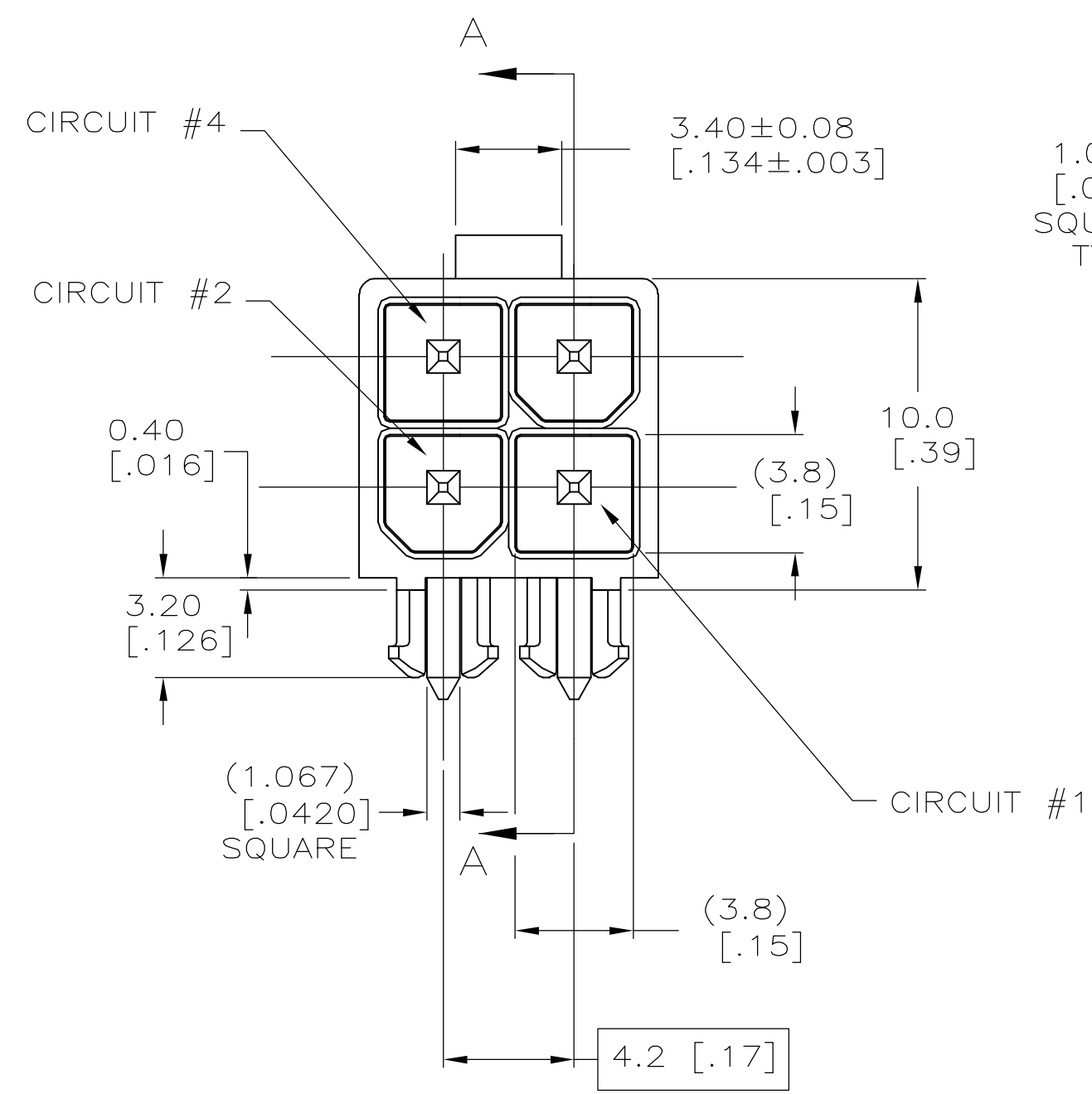
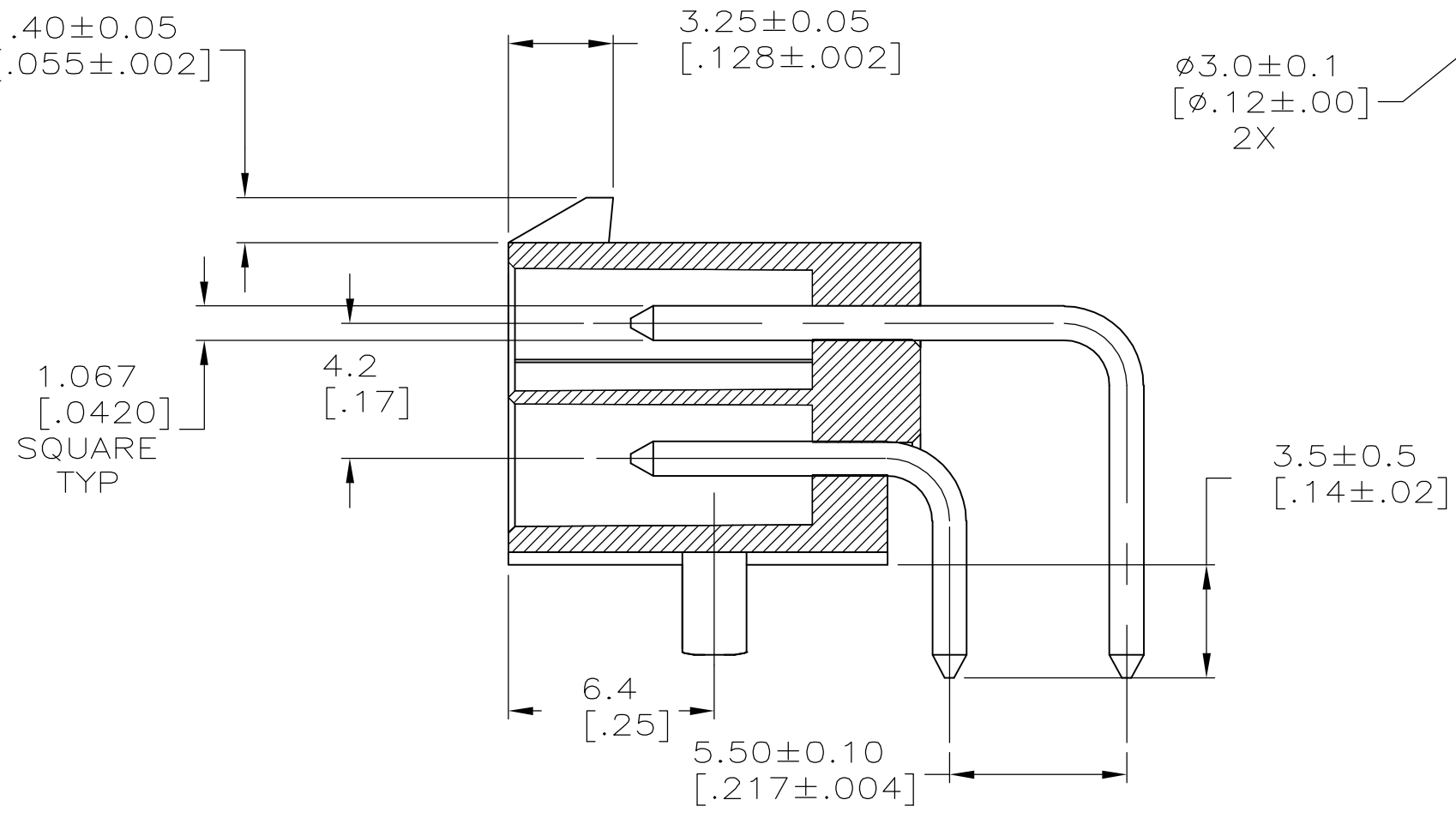
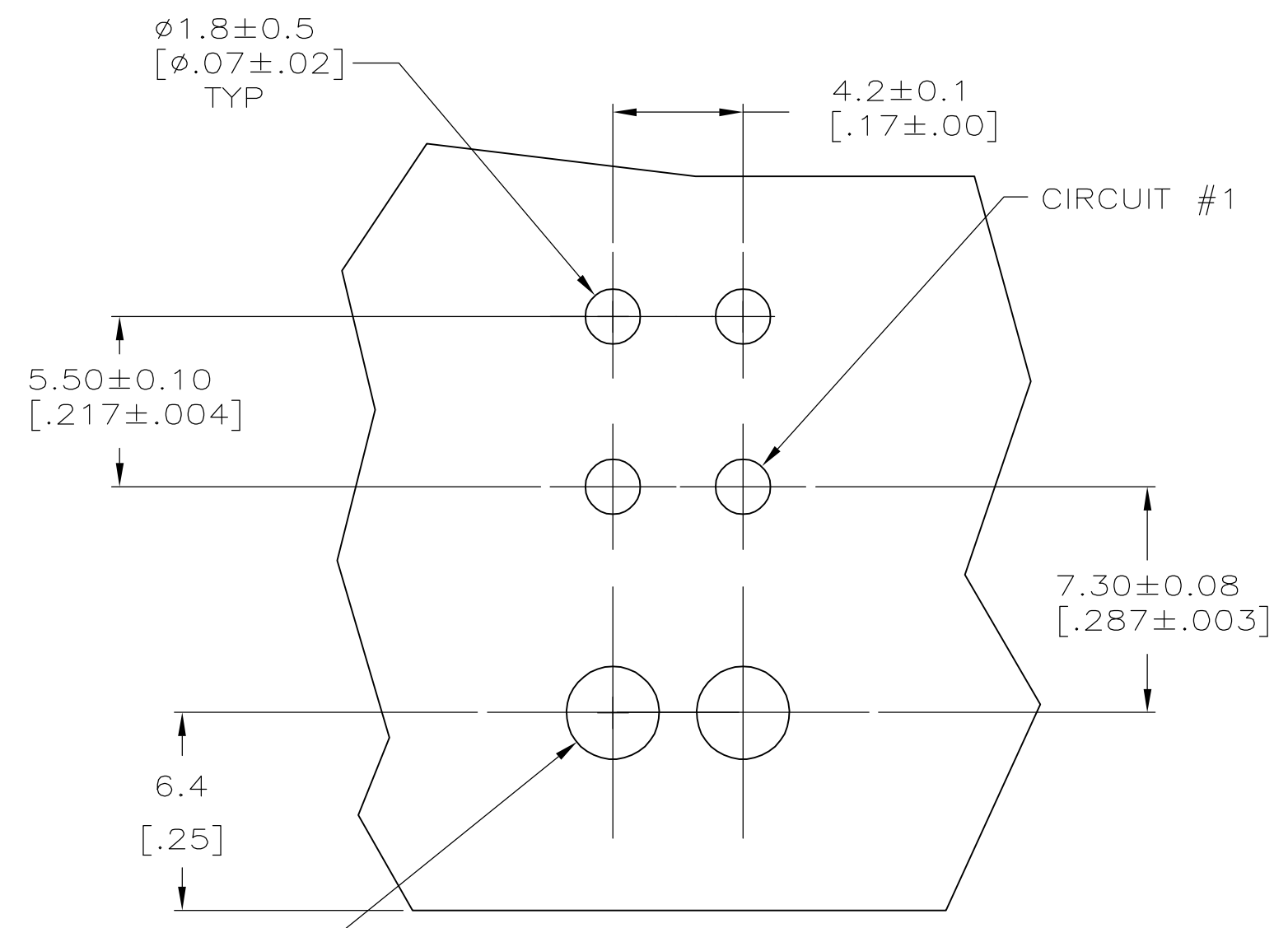
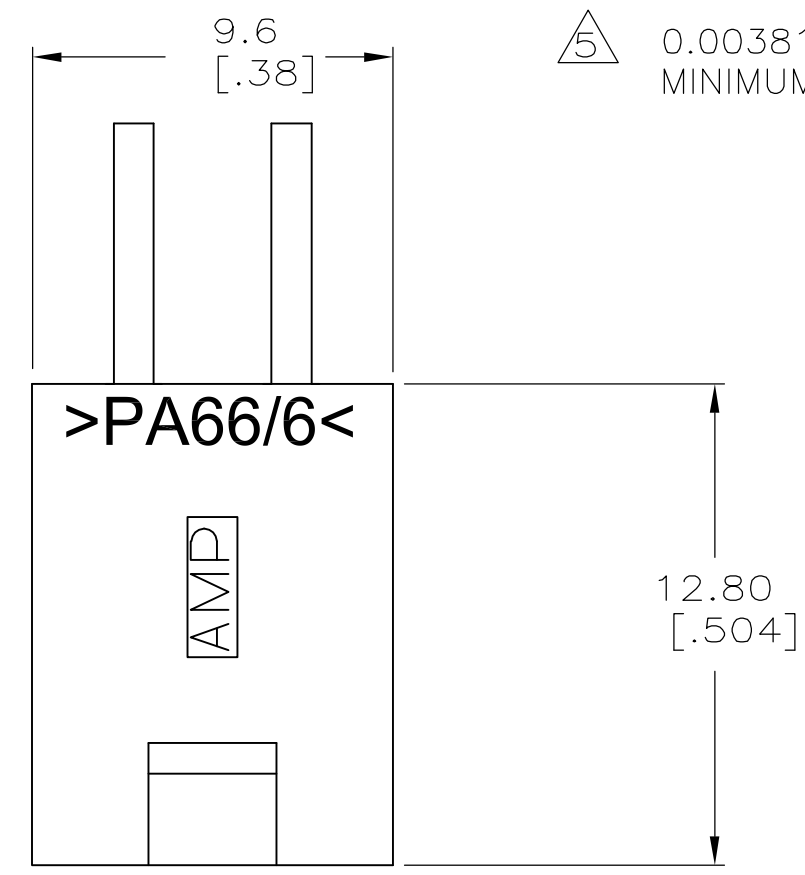


THIS DRAWING IS UNPUBLISHED. RELEASED FOR PUBLICATION
 © COPYRIGHT BY TYCO ELECTRONICS CORPORATION. ALL RIGHTS RESERVED.

| LOC | | DIST | | REVISIONS | | | |
|-----|-----|-------------|--|---------------------------|---------|------|----|
| P | LTR | DESCRIPTION | | DATE | DWN | APVD | |
| CM | 00 | E | | REVISED PER ECO-06-014772 | 13NOV06 | KW | DC |

- ① MATERIAL: HOUSING - NYLON, UL94V-0 (COLOR - WHITE).
PIN - 1.067mm² [.0017in²] COPPER ALLOY.
- 2. PINS TO COMPLY WITH SOLDERABILITY SPEC 109-11-3.
- ③ 0.00381 [.000150] MINIMUM TIN LEAD OVER 0.00127 [.000050] MINIMUM NICKEL, ENTIRE LENGTH OF PIN.
- ④ NOTE DELETED.
- ⑤ 0.00381 [.000150] MINIMUM TIN OVER 0.00127 [.000050] MINIMUM NICKEL, ENTIRE LENGTH OF PIN.



SUPERSEDED BY 1-794527-1

| | | | | |
|----------|---|---------|---|------------|
| ① | ⑤ | ① | ① | 1-794527-1 |
| ① | ③ | ① | ① | 794527-1 |
| MATERIAL | | FINISH | | ASSEMBLY |
| PIN | | HOUSING | | |

METRIC

THIS DRAWING IS A CONTROLLED DOCUMENT.

| | | | |
|----------------------------|--|------------------------------|---|
| DIMENSIONS: mm [INCHES] | TOLERANCES UNLESS OTHERWISE SPECIFIED: | DWN S. HOOVER 02-MAR-2005 | Tyco Electronics Corporation Harrisburg, Pa 17105-3608 |
| 0 PLC ± | 1 PLC ± 0.2 [.01] | CHK D. COLEY 02-MAR-2005 | |
| | 2 PLC ± 0.13 [.005] | APVD D. COLEY 02-MAR-2005 | NAME |
| | 3 PLC ± | PRODUCT SPEC | ASSEMBLY, HEADER, RIGHT ANGLE, 4 POSITION, W/PEGS, 94V-0 AMP-DUAC(TM) POWER CONNECTOR |
| | 4 PLC ± | APPLICATION SPEC | RESTRICTED TO |
| | ANGLES ± 0° 30' | WEIGHT | SIZE CAGE CODE DRAWING NO |
| MATERIAL SEE CHART | FINISH SEE CHART | CUSTOMER DRAWING | A2 00779 G=794527 |
| | | SCALE 5:1 | SHEET 1 OF 1 REV E |