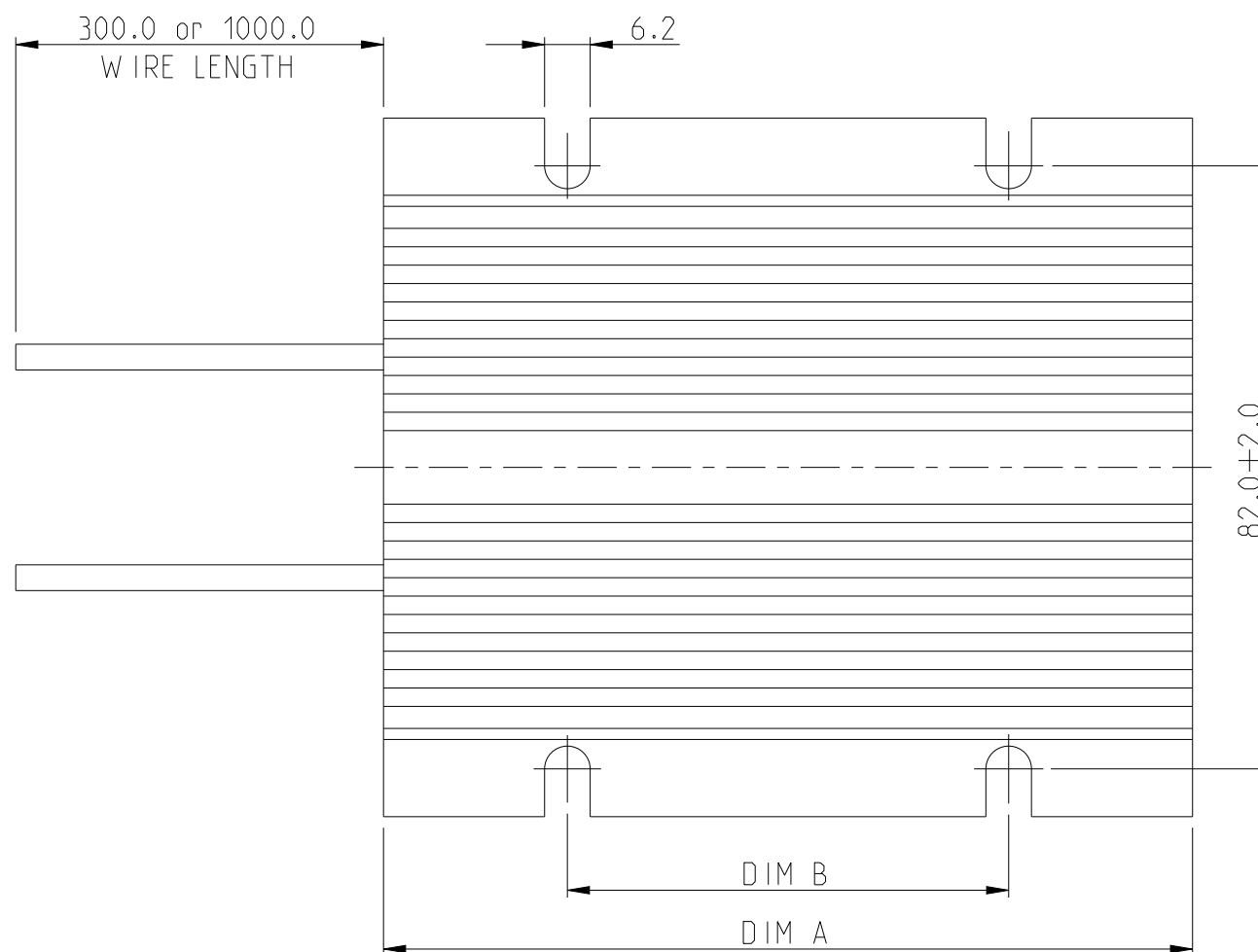
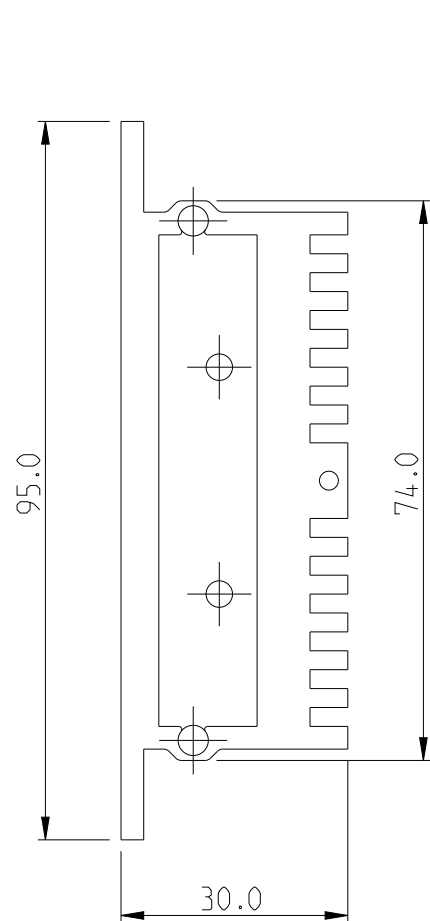
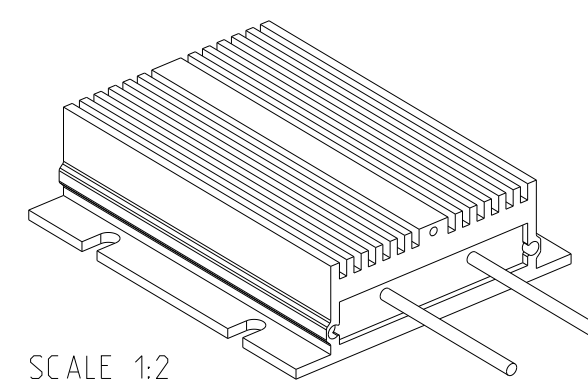


P	LTR	DESCRIPTION	DATE	DWN	APVD
A		NEW RELEASE	24-MAR-09	SM	JC
C		ECR-20-017380	08DEC2020	SB	AP

1 FOR FURTHER INFORMATION SEE DATA SHEET FOR CFH SERIES-ALUMINIUM HOUSED POWER RESISTORS
 2 FOR A SPECIFIC PN FOR A RESISTANCE VALUE AND TOLERANCE, PLEASE REFER TO DMF



RoHS Compliant



SCALE 1:2

4	CFH1100	1100	320.0	240.0
3	CFH750	750	220.0	140.0
2	CFH500	500	160.0	110.0
1	CFH350	350	110.0	60.0
ITEM	SERIES	POWER (W)	DIM A	DIM B

THIS DRAWING IS A CONTROLLED DOCUMENT.		DWN	24-MAR-09			
		CHK	24-MAR-09			
		APVD	24-MAR-09			
		APVD	J.CATCHPOLE			
		PRODUCT SPEC	NAME			
		APPLICATION SPEC	ALUMINIUM HOUSED POWER RESISTOR			
		WEIGHT	SERIES CFH			
		CUSTOMER DRAWING	SIZE	CAGE CODE	DRAWING NO	RESTRICTED TO
			A3	00779	©-1623821	
			SCALE	SHEET	OF	REV
			1:1	1	1	C

DIMENSIONS:		TOLERANCES UNLESS OTHERWISE SPECIFIED:	
mm			
		0 PLC	±0.5
		1 PLC	±0.2
		2 PLC	±0.1
		3 PLC	±
		4 PLC	±
MATERIAL		ANGLES	±0.5°
		FINISH	-