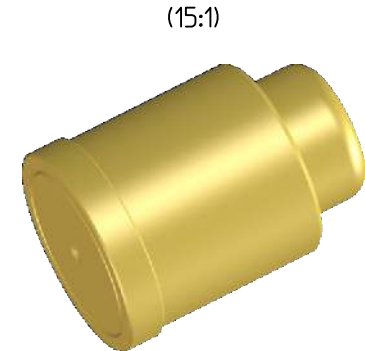
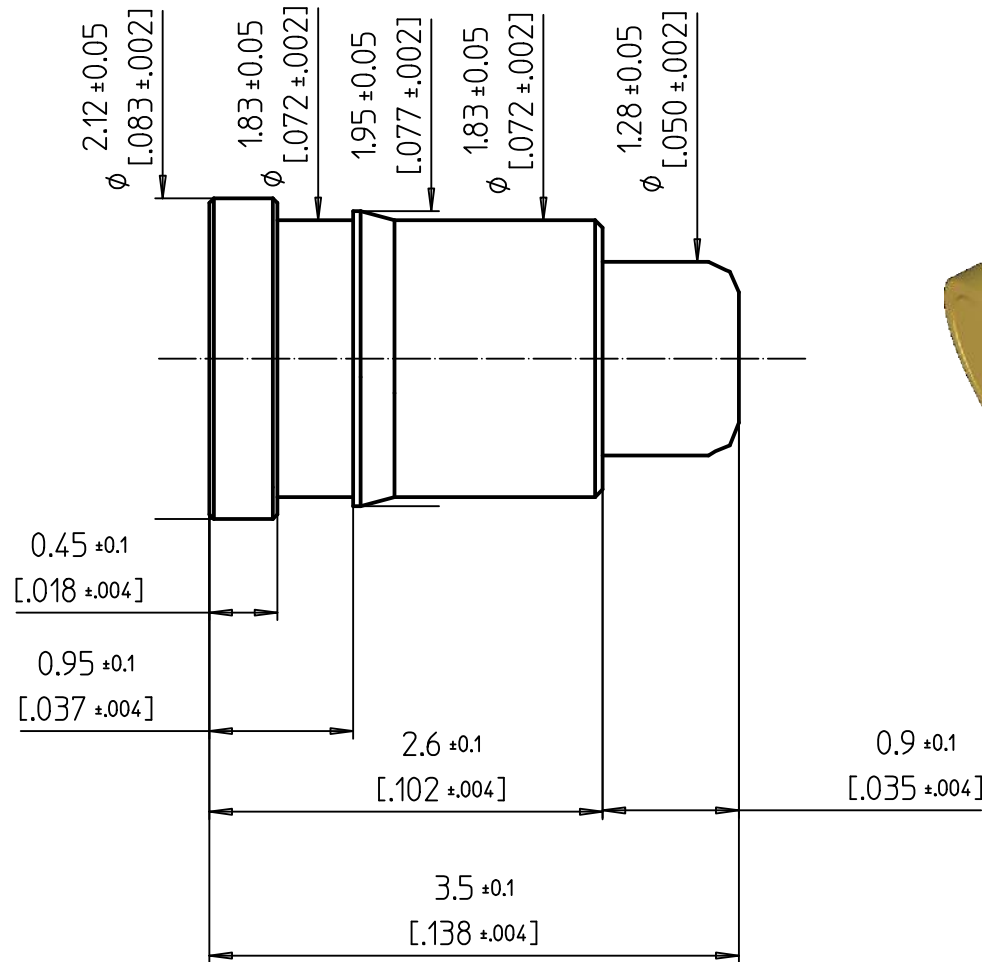
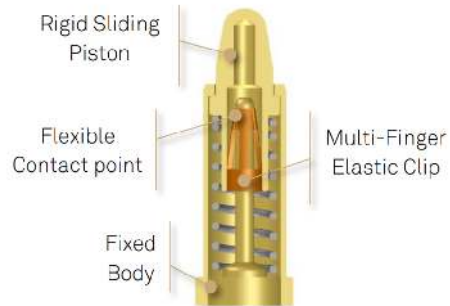


Spring Loaded Contacts  
With PRECI-DIP Integrated CLIP



NOTES:

MECHANICAL REQUIREMENTS:

Durability: 20'000 cycles at Hnom  
Theoretical stroke: S= 0.80 mm [.0315"]  
Spring forces (F):  
Finit= 0.6 N  
F1= 0.72 N at H1= 3.3 mm [.130"]  
Fnom= 0.9±0.2 N at Hnom= 3.00 mm [.118"]  
F2= 1.08 N at H2= 2.7 mm [.106"]  
Recommended working range: between H1 and H2  
Forces are measured in mean value of compression / decompression

ELECTRICAL REQUIREMENTS:

Contact resistance:  
R= 30 mOhms max in static mode at Hnom  
Current per individual contact in free air at ambient temperature:  
ICont= 5 A at Hnom with temperature raise max 30°C

ENVIRONMENTAL REQUIREMENTS:

Operating temperature: -40 °C / +125 °C

MATERIALS / PLATINGS:

Contact interfaces plated with min 0.3 µm gold over Nickel  
Spring: Stainless steel  
Clip : Beryllium Copper

SOLDERING :

Recommended PCB pad size : 2.4mm  
Solderability J-STD-002A, Test A 245°C, 5s, solder alloy SnAg3.8Cu0.7  
Resistance to soldering heat J-STD-020C, 260°C, 20S

INSULATOR :

If assembling pin into moulding :  
Recommended hole size : Ø1.9[.075"]

High Reliability  
Spring Loaded Contact



Remplace:

Remplacé par:

20:1

Dessiné

14.12.2022

C.Bidault

Contrôlé

N° dessin

Révision

90637-AS