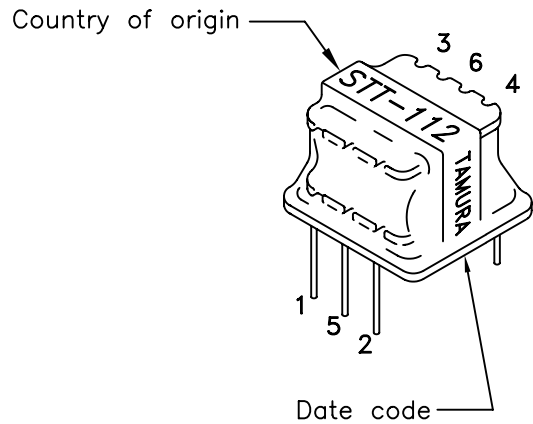
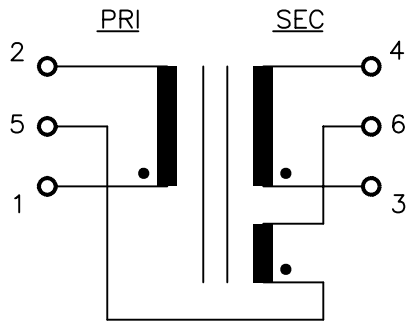


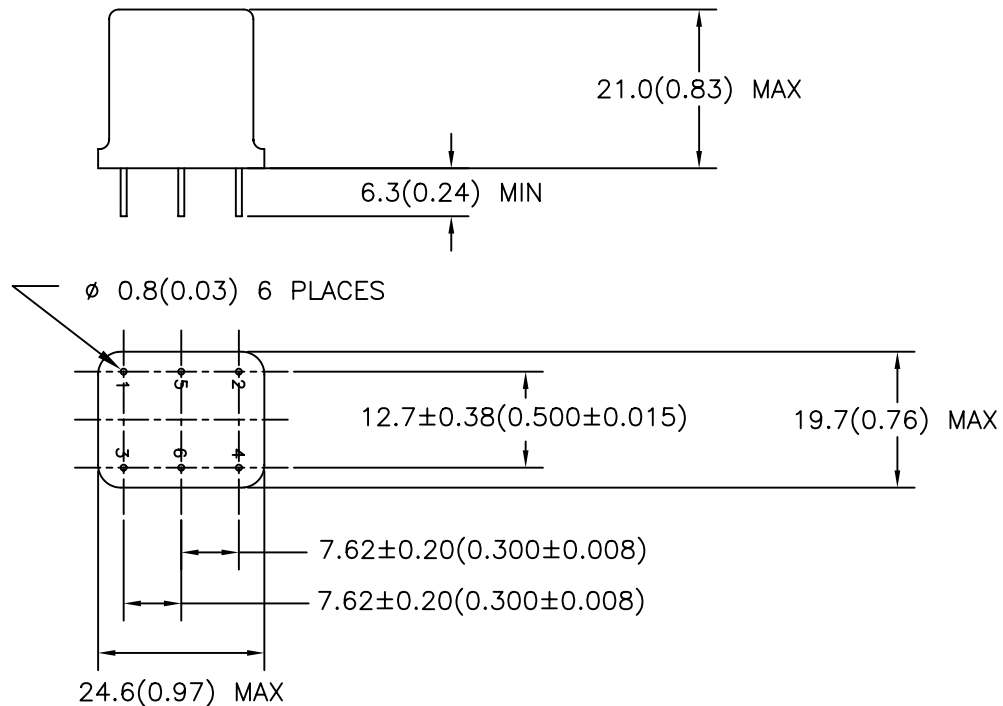
Encapsulated Trigger Transformer

MODEL NUMBER
STT-112

- A. Electrical specifications (@ 25°C)
1. Leakage Inductance;
200μH MAX
 2. DC Resistance;
Primary (1-2) 7.0Ω MAX
Secondary (3-4) 3.5Ω MAX
Tertiary (5-6) 3.5Ω MAX
 3. Primary ET-constant;
280V-μs MIN
 4. Turns Ratio;
(1-2):(3-4):(5-6)=2:1.00:1.00±5%
 5. Interwinding Capacitance;
80.0pF MAX
 6. Primary Inductance;
10.0mH MIN
 7. Dielectric Strength;
AC 2600Vrms 1 minute @ Pri to Sec
- B. Marking;
STT-112, TAMURA, date code, and country of origin
- C. Schematic diagram;



D. Mechanical Specifications



PREPARED BY:

D. Rund

ENGINEER:

T. Shiozawa

QUALITY CONTROL:

D. Kelley

APPROVED:

D. Kelley

DWG CONTROL NO. P-A1-12211
ACAD\MXFMR\A1122111.DWG

REV -

ENCAPSULATED TRIGGER
TRANSFORMER

TAMURA CORPORATION OF AMERICA

43352 BUSINESS PARK DRIVE, TEMECULA, CA. 92590-6624
(909) 699-1270 FAX 9096769482

STT-112

MODEL SPECIFICATION

DIM: mm(In) SCL: NONE SH: 1 OF 1

PROPRIETARY NOTICE: THIS DRAWING PRINT OR DOCUMENT AND SUBJECT MATTER DISCLOSED HEREIN ARE PROPRIETARY ITEMS TO WHICH TAMURA RETAINS THE EXCLUSIVE RIGHT OF DISSEMINATION, REPRODUCTION, MANUFACTURE AND SALE. THIS DRAWING, PRINT OR DOCUMENT IS SUBMITTED IN CONFIDENCE FOR CONSIDERATION BY THE RECIPIENT ALONE UNLESS PERMISSION FOR FURTHER DISCLOSURE IS EXPRESSLY GRANTED IN WRITING.