

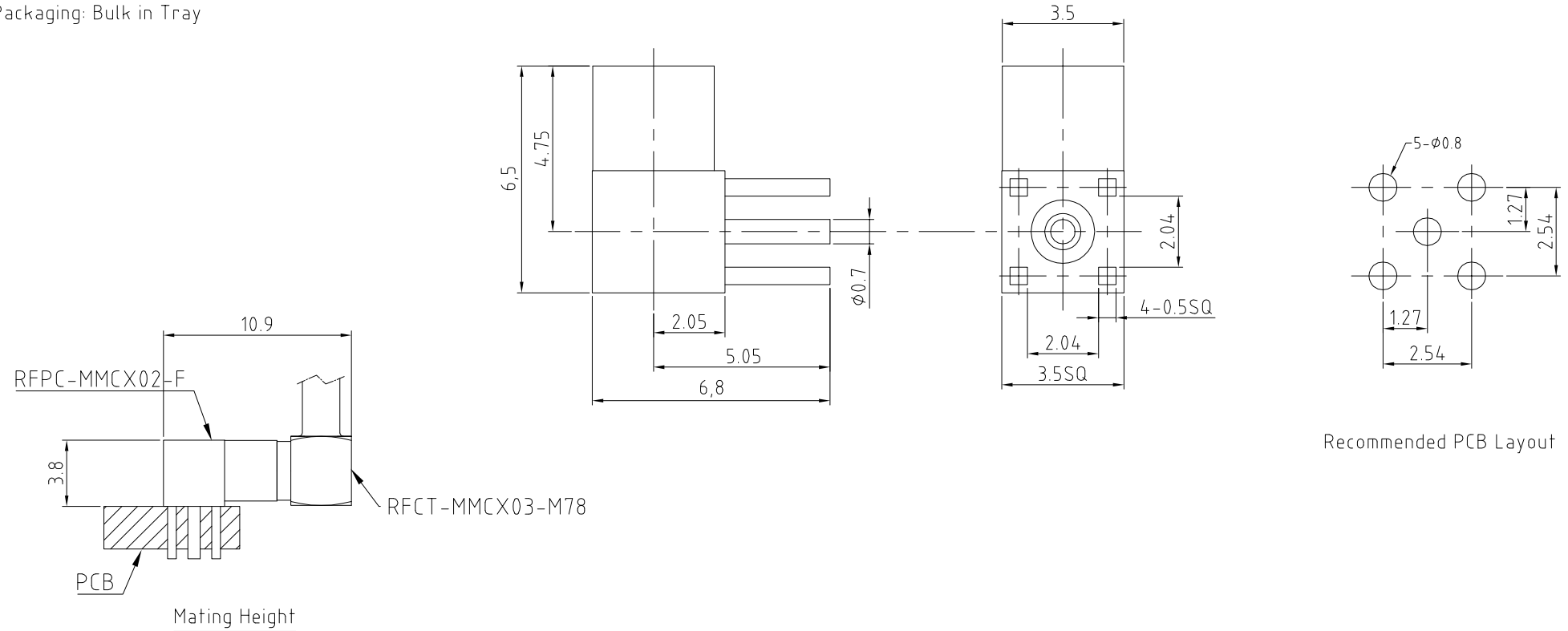
RFPC-MMCX02-F : MMCX Right Angle Jack, PCB Mount Type

Material and Plating:

- Insulator A: Teflon
- Insulator B: Teflon
- Pin: Phosphor Bronze, Gold
- Body: Brass, Gold

Specification:

- Durability: 500 Mating Cycles Min.
- Operating Temperature: -40°C~+125°C
- Working Frequency Range: DC~6GHz
- Impedance: 50 Ohm.
- Packaging: Bulk in Tray



Recommended PCB Layout

REV. DATE & DRN	10 07/02/10 - NYW RELEASE
	11 25/06/19 - NYW ADD MATING CYCLE & OPERATING TEMP.
	12 24/02/20 - NYW ADD MATING HEIGHT DIAGRAM
	13 24/07/20 - NYW ADD OPERATING TEMP.
	14 02/07/23 - NYW ADD IMPEDANCE.

Scale: NTS	THIRD ANGLE	Unstated X ±0.2 .XX ±0.2 .XXX ±0.2 ANGLES ±5	Tolerances: ±0.2 ±0.2 ±0.2 ±5	Material SEE NOTE
Drawn: NYW				
App'd: XXX	Title JACK			NOT TO SCALE
Date: 7 FEB. '23	Revision: 14			Unit: mm

www.gradconn.com

© THIS DRAWING IS CONFIDENTIAL AND MUST NOT BE COPIED OR DISCLOSED WITHOUT WRITTEN CONSENT

Type: RFPC-MMCX02-F
RFPC-MMCX02-F
Drawing Number:
Sheet 1 of 1
Drawing © E and O E