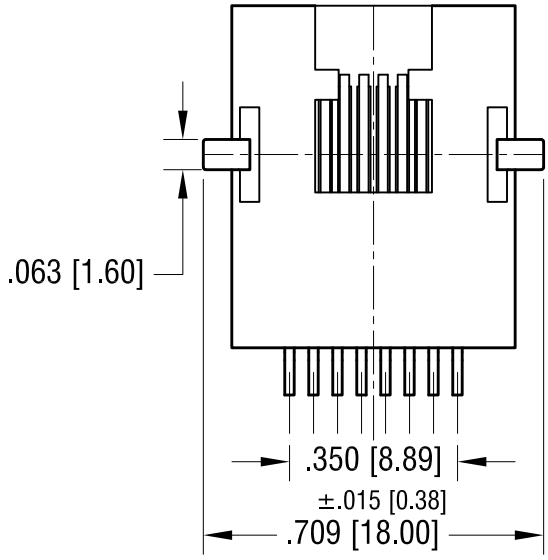
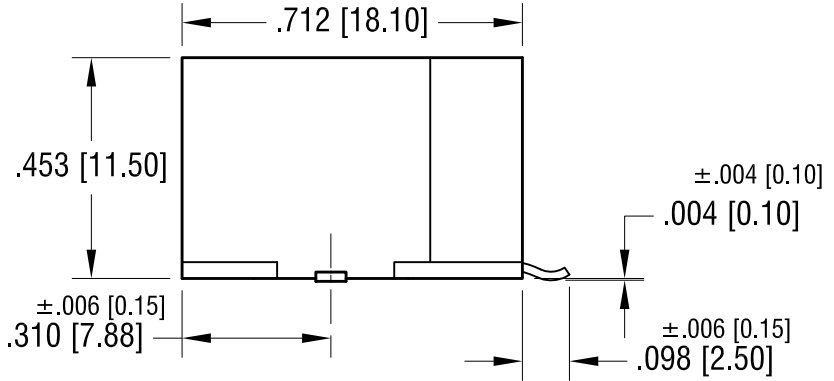
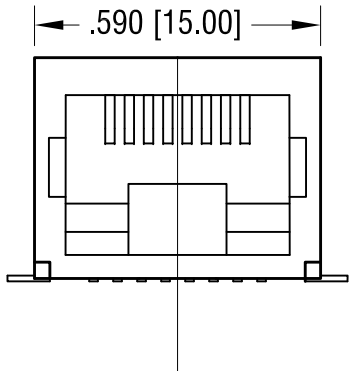
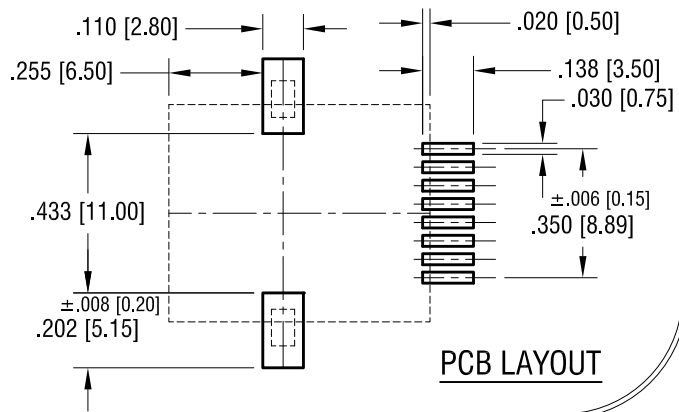
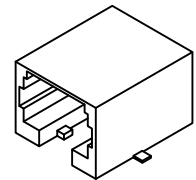


THIS DOCUMENT IS THE PROPERTY OF KEYSTONE ELECTRONICS CORP. AND SHALL NOT BE REPRODUCED, DISTRIBUTED OR USED AS A BASIS FOR MANUFACTURE WITHOUT PRIOR WRITTEN PERMISSION FROM KEYSTONE ELECTRONICS CORP.

ACTUAL SIZE



NOTE:

1. PLASTIC HOUSING:
MAT'L- HIGH TEMP. THERMOPLASTIC
RATED UL 94V-0, COLOR- BLACK
2. CONTACT: MAT'L: .014 [0.35] TH'K PHOSPHOR BRONZE
FINISH- GOLD PLATE, OVER NICKEL ON CONTACT
TIN, OVER COPPER ON SOLDER TAILS
3. DIELECTRIC WITHSTANDING VOLTAGE:
1000 VAC FOR 1 MIN.
4. STORAGE TEMPERATURE:
-40°F (-40°C) TO +176°F (+85°C)
OPERATION TEMPERATURE:
-4°F (-20°C) TO 167°F (+75°C)
5. VOLTAGE RATING: 125 VAC Rms.
CURRENT RATING- 1.5 Amps
CONTACT RESISTANCE- 30 mΩ MAX.
INSULATION RESISTANCE-500 MΩ MIN. @500 VDC
DIELECTRIC STRENGTH: 1000 VAC Rms 60Hz. 1Min.

KEYSTONE ELECTRONICS CORP.

www.keyelco.com • NEW HYDE PARK, NY 11040 • Tel (516) 328-7500

PART NAME				SMT KEYSTONE JACK, 8P8C			
MATERIAL				AS NOTED			
FINISH		DRN BY		DATE		SCALE	
AS NOTED		NT		3.31.15		2.5X	
		APP'D					
		RH					
TOLERANCES		INCH		[MM]		CODE	
DECIMAL		± .005		[± 0.13]		C	
ANGULAR		± 1°				DWG NO.	
UNLESS OTHERWISE SPECIFIED						944	

2.08.21	UPDATE PER NEW TOOLING CHANGE AS PER ECN 21-015	A
DATE	DESCRIPTION	REV.