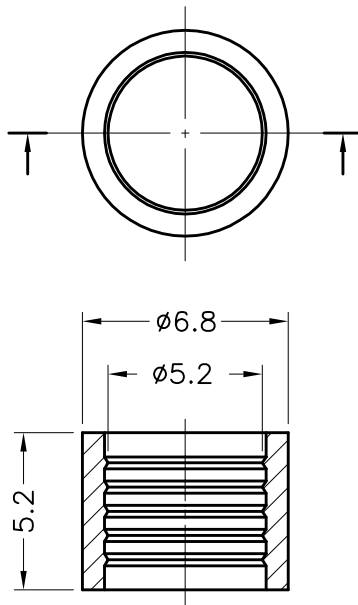


成型尺寸	公差
5mm 以下	±0.2
5~20mm	±0.3
20~40mm	±0.4
40~60mm	±0.5
60~100mm	±0.8
100mm 以上	±1.0

REVISIONS			
REV	DESCRIPTION	DATE	BY



PART NO.	MATERIAL	COLOR
LC3-1T	NYLON 66 UL94V-2	NATURAL
LC3-1T(B)	NYLON 66 UL94V-2	BLACK
LC3-1TV0(B)	NYLON 66 UL94V-0	BLACK


**康揚企業股份有限公司**  
 KANG YANG HARDWARE ENTERPRISE CO., LTD.  
**東莞康揚塑膠五金電子廠**  
 DONG GUAN KANG YANG PLASTIC HARDWARE COMPANY  
**康哲電腦配件(吳江)有限公司**  
 KANG CHE COMPUTER COMPONENTS(WUJIANG) CO.,LTD.

TITLE	LED座套	產品規格圖面
MATERIAL	SEE ABOVE	DATE 2002.09.30
FINISH		DRAWN JASON
COLOR	SEE ABOVE	CHECK
PART NUMBER SEE ABOVE	DRAWING NUMBER LC3-1T	UNLESS OTHERWISE SPECIFIED TOLERANCE SEE ABOVE
SIZE A4	SCALE 4:1	UNIT mm
REV A		APPROVED