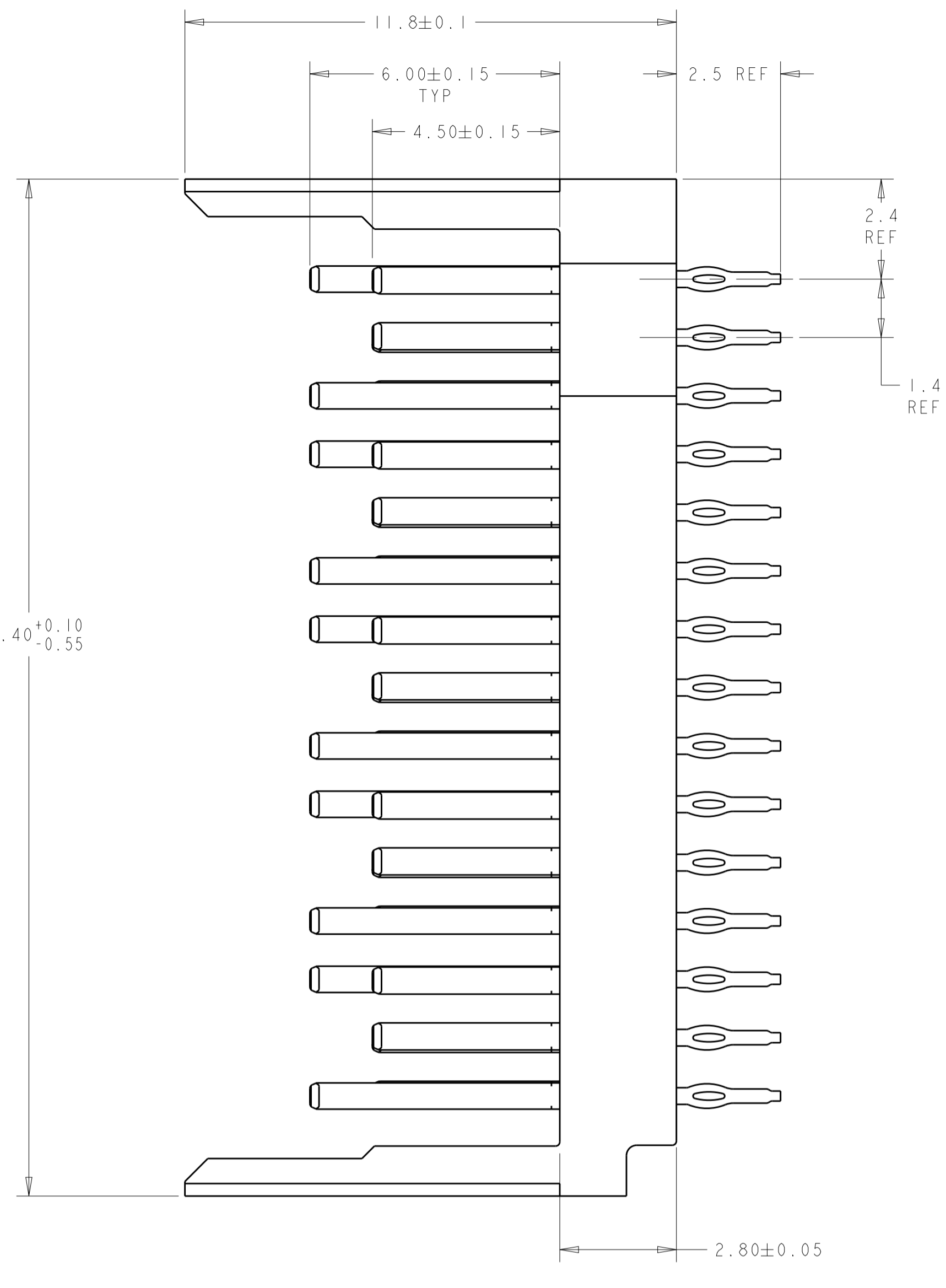
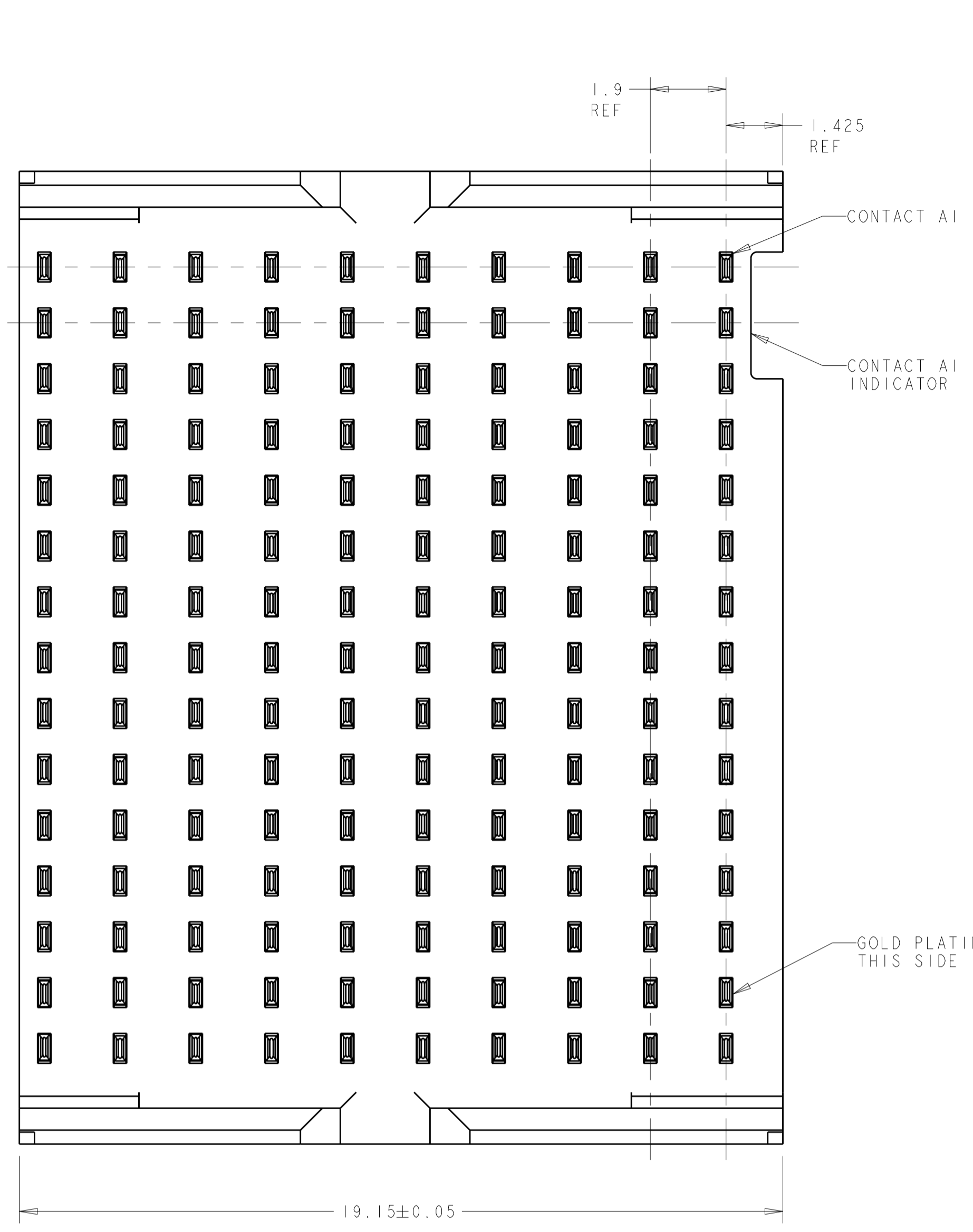
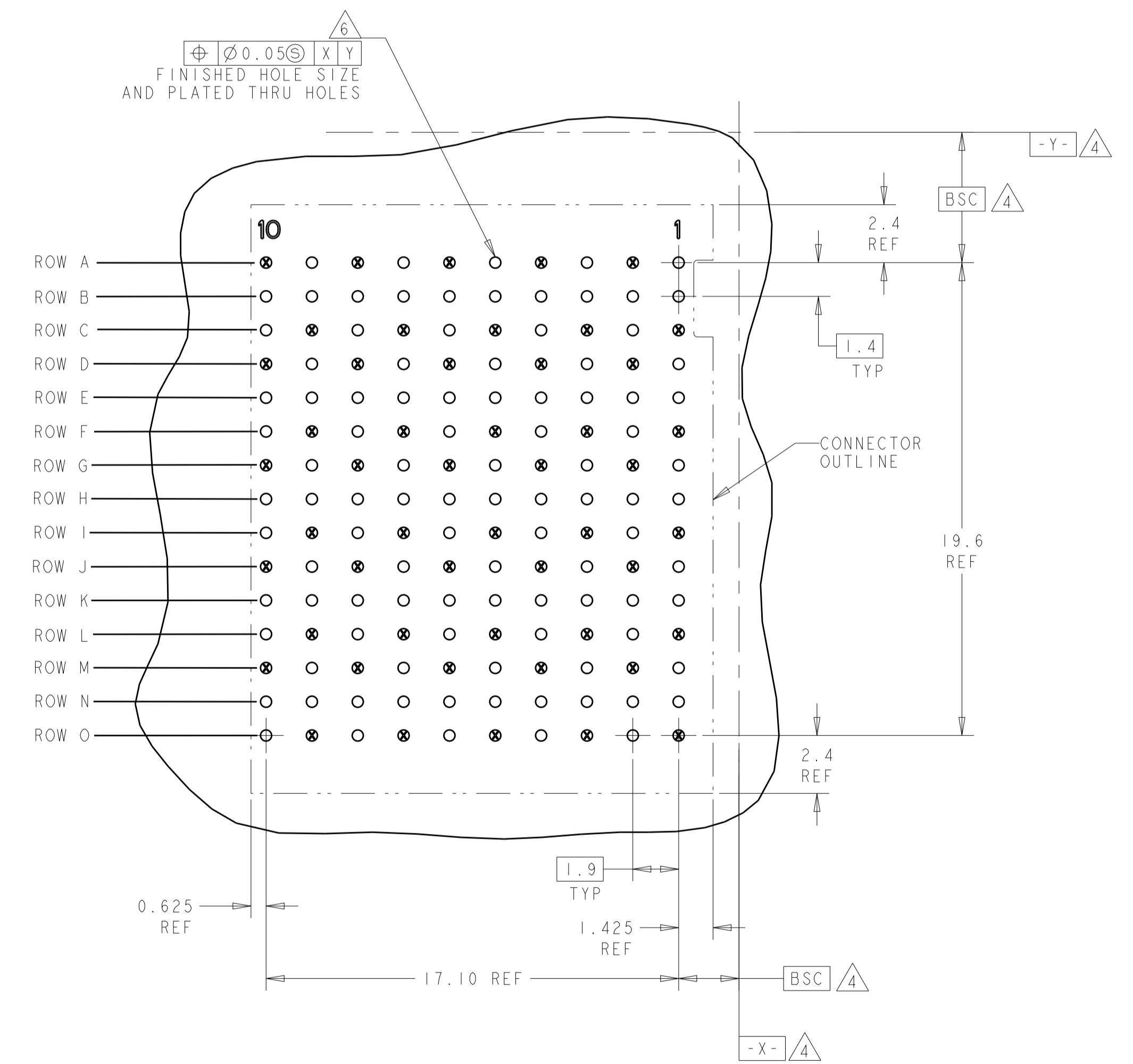


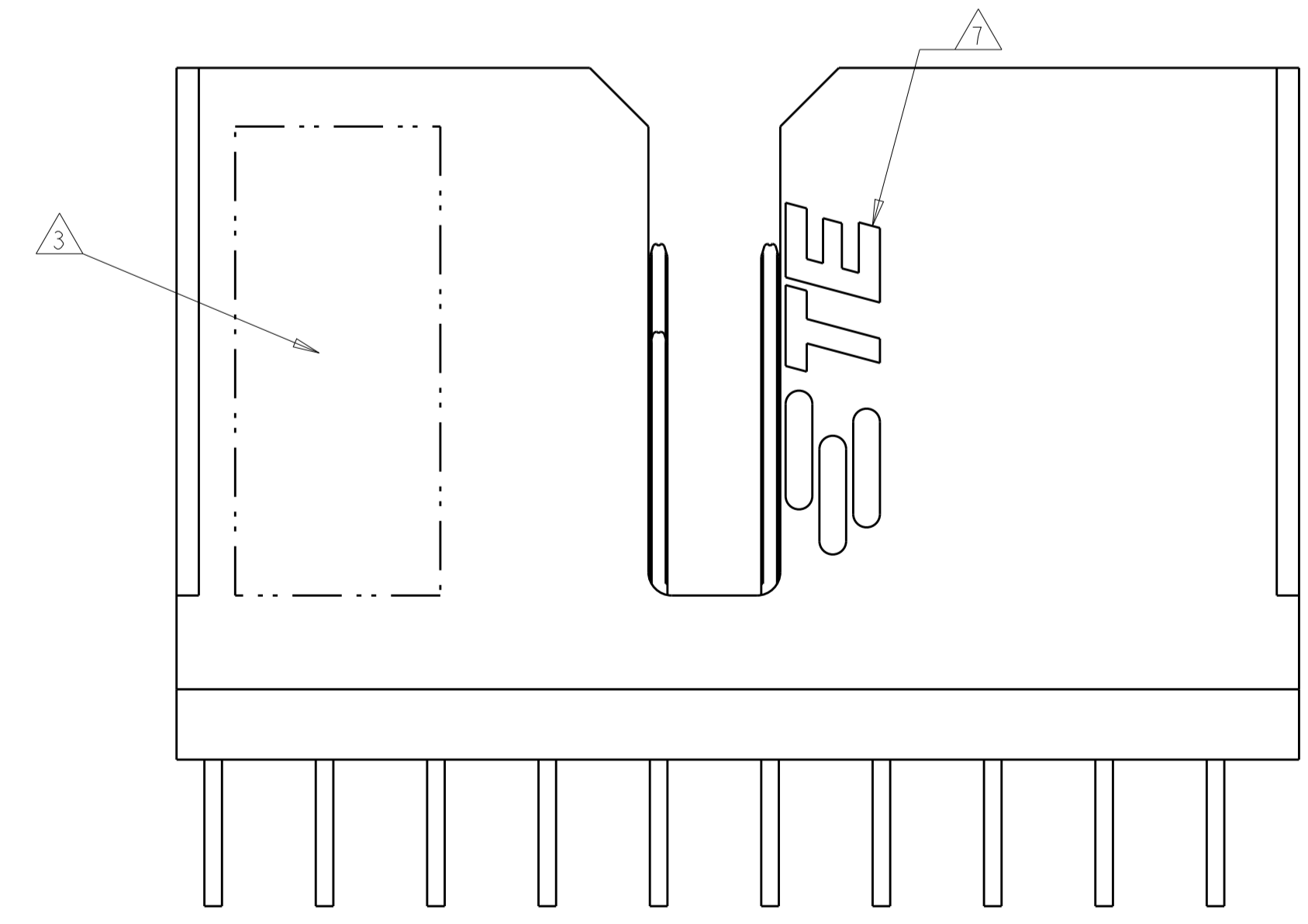
| LOC |     | DIST                      |           | REVISIONS |      |  |  |
|-----|-----|---------------------------|-----------|-----------|------|--|--|
| P   | LTN | DESCRIPTION               | DATE      | DWN       | APVD |  |  |
| F   |     | REVISED PER ECO-13-010626 | 31JUL2013 | KH        | RP   |  |  |
| G   |     | REVISED PER ECO-19-009248 | 04JUL2019 | AP        | SY   |  |  |



- 1 MATERIAL:  
CONTACT - PHOS BRONZE  
HOUSING - LCP, UL 94V-0, COLOR - BLACK
- 2 FINISH:  
CONTACT AREA FINISH CONFORMS TO THE REQUIREMENTS OF TE PRODUCT SPECIFICATION 108-2303; BASED ON TELCORDIA GR-1217-CORE FOR SYSTEM QUALITY LEVEL III, APPLICATIONS IN CONTROLLED ENVIRONMENTS (CENTRAL OFFICE). COMPLIANT PIN AREA- 0.5µm MIN MATTE TIN OVER 1.27µm MIN NICKEL.
- 3 CONNECTOR MARKED WITH PART NUMBER, DATE CODE AND STANDARD IN APPROXIMATE AREA SHOWN
- 4 DATUMS AND BASIC DIMENSIONS ESTABLISHED BY CUSTOMER.
- 5 CONTACT AREA LUBRICATED WITH BELLCORE APPROVED LUBRICANT, TECHNICAL REFERENCE GR-1217-CORE, ISSUE 1, NOVEMBER 1995.
- 6 REFERENCE APPLICATION SPEC 114-13202 FOR RECOMMENDED PLATED THRU HOLE DIAMETER AND PLATING THICKNESSES.
- 7 SHOWN LOGO OR OTHER TE OWNED LOGOS IN APPROXIMATE AREA.



○ = SIGNAL  
 ⊗ = GROUND  
 RECOMMENDED PC BOARD LAYOUT BACKPLANE, COMPONENT SIDE SHOWN  
 SCALE 6:1



1934325-1  
 PART NUMBER

|  |          |                                   |   |  |
|--|----------|-----------------------------------|---|--|
| THIS DRAWING IS A CONTROLLED DOCUMENT. |          | DWN<br>L. SIPE<br>21JUL2007       | TE Connectivity   |  |
| DIMENSIONS:                            |          | CHK<br>W. DAVIS<br>21JUL2007      |   |  |
| TOLERANCES UNLESS OTHERWISE SPECIFIED: |          | APVD<br>P. PATTERSON<br>25JAN2008 |   |  |
| mm                                     | 0 PLC ±  | PRODUCT SPEC                      | NAME<br>HEADER ASSEMBLY, OPEN ENDED,<br>5 PAIR, 10 COLUMN<br>TinMan |  |
|  | 1 PLC ±  | APPLICATION SPEC                  | SIZE CAGE CODE DRAWING NO<br>A100779C=1934325                       |  |
|  | 2 PLC ±  | RESTRICTED TO                     | SCALE 10:1 SHEET 1 OF 1 REV G                                       |  |
|  | 3 PLC ±  |                                   |   |  |
|  | 4 PLC ±  |                                   |   |  |
|  | 5 PLC ±  |                                   |   |  |
|  | 6 PLC ±  |                                   |   |  |
|  | 7 PLC ±  |                                   |   |  |
|  | 8 PLC ±  |                                   |   |  |
|  | 9 PLC ±  |                                   |   |  |
|  | 10 PLC ± |                                   |   |  |
|  | ANGLES ± |                                   |   |  |
|  | FINISH ± |                                   |   |  |
| MATERIAL                               | FINISH   | WEIGHT                            | CUSTOMER DRAWING  |  |