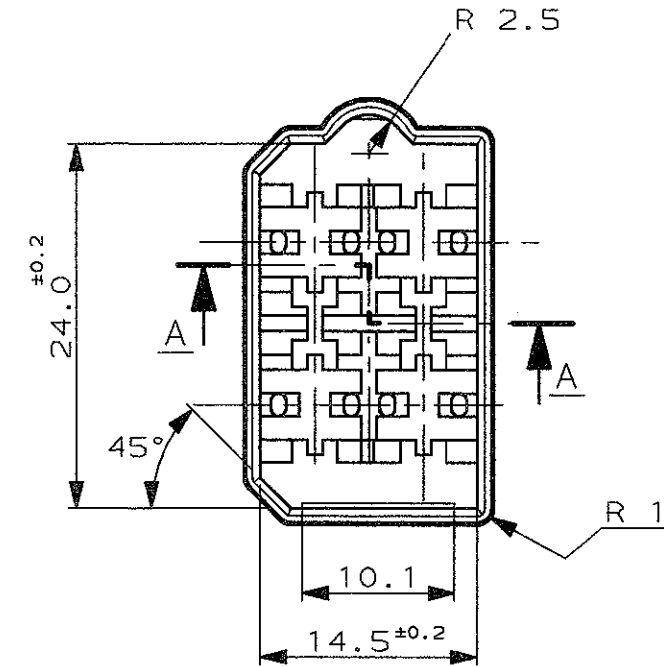
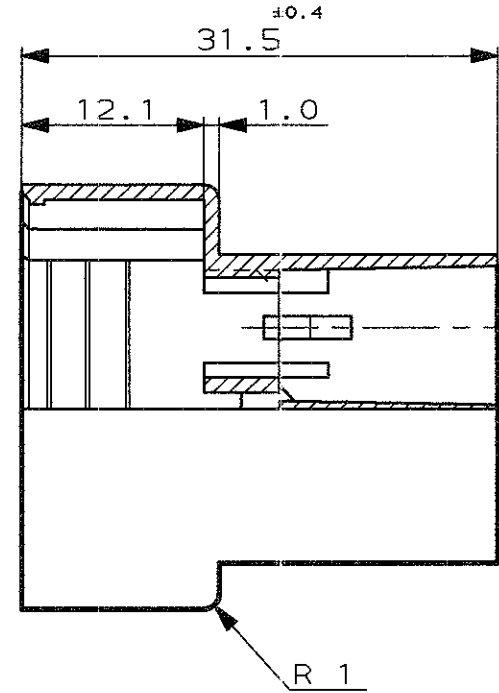
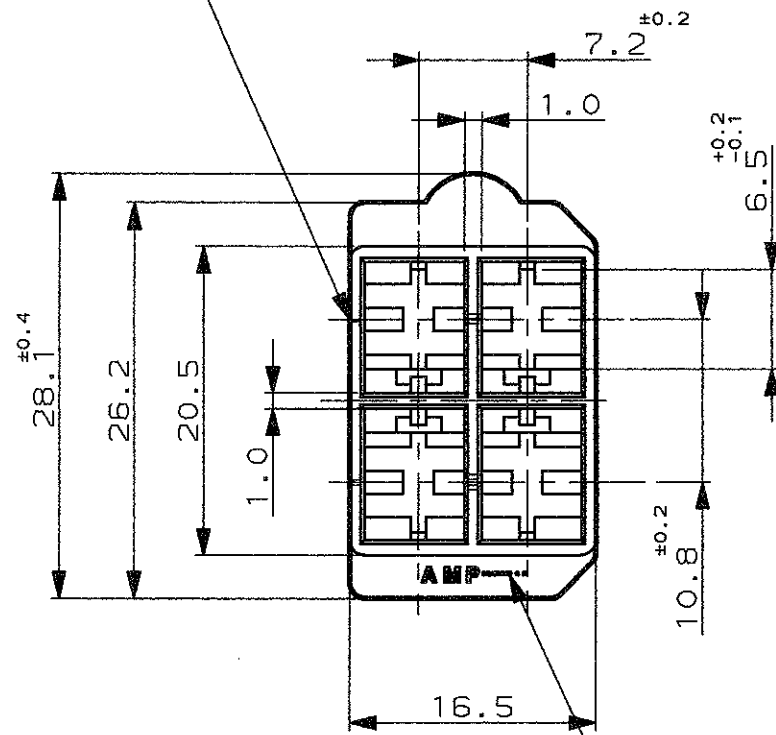


SCALA NON IMPEGNATIVA
(DO NOT SCALE)
DIMENSIONI IN
(DIMENSIONS IN) mm

METRIC

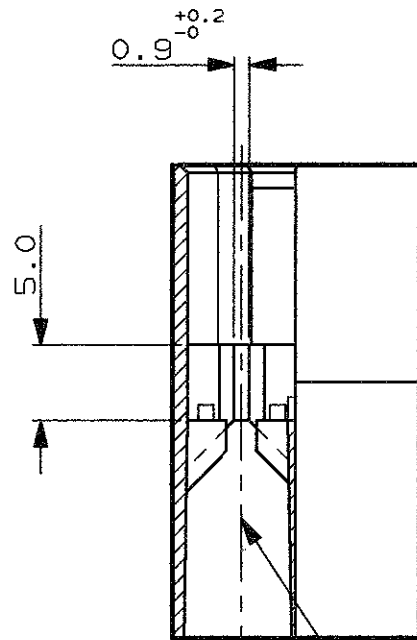
PROIEZIONE EUROPEA
(EUROPEAN PROJECTION)

IDENTIFICAZIONE N. DI VIA
(CIRCUIT IDENTIFICATION No.)



MARCHIO DI FABBRICA
(AMP TRADE MARK)

SEZIONE A-A
(SECTION A-A)



TIPICA CAVITA' PER TERMINALE AMP
FASTIN-FASTON .250"sr. (ES: P/N 1-280081-2)
(TYPICAL CAVITY FOR AMP TERMINAL
FASTIN-FASTON .250"sr, e.g. P/N 1-280081-2)

- 1) NON PRODOTTO DALL' TE ITALIA
(NON MANUFACTURED BY TE ITALY)
- 2) PRODOTTO SOLO PER TE GIAPPONE
(RESTRICTED FOR TE JAPAN)
- 3) SPECIFICA DI PRODOTTO : 108-20020
(PRODUCT SPEC.: 108-20020)
- 4) SPECIFICA DI APPLICAZIONE PER RIF. : 114-2025
(APPLICATION SPEC. AS REF : 114-2025)
- 5) OBSOLETE PARTS: OBSOLETE CIS STREAMLINING PER D.RENAUD/D.SINISI

NOTE (NOTES)	COLORE (COLOUR)	MATERIALE (MATERIAL)	NUMERO (PART NUMBER)
5 OBSOLETE	2	BIANCO (WHITE)	PA 6.6 (PA 6.6 UNFILLED)
	1	NATURALE (CLEAR)	PA 6.6 (PA 6.6 UNFILLED)
	1	NERO (BLACK)	PA 6.6 (PA 6.6 UNFILLED)
5 OBSOLETE	1	NERO (BLACK)	PA 6.6 (PA 6.6 UNFILLED FLAME RET.)
	1	NERO (BLACK)	ABS
5 OBSOLETE	1	ARANCIONE (ORANGE)	PA 6.6 (PA 6.6 UNFILLED)
	1	NERO (BLACK)	PA 6.6 (PA 6.6 UNFILLED)
5 OBSOLETE	1	GIALLO (YELLOW)	PA 6.6 (PA 6.6 UNFILLED)
	1	BLU (BLUE)	PA 6.6 (PA 6.6 UNFILLED)
5 OBSOLETE	1	ROSSO (RED)	PA 6.6 (PA 6.6 UNFILLED)
	1	NATURALE (CLEAR)	PA 6.6 (PA 6.6 UNFILLED)
			180901-0

CUSTOMER DWG. FOR REFERENCE ONLY DISEGNO PER CLIENTE SOLO PER RIFERIMENTO

THIS DRAWING IS UNPUBLISHED RELEASE FOR PUBLICATION 19

© COPYRIGHT 19 BY TE INCORPORATED, HARRISBURG, PA. ALL INTERNATIONAL RIGHT RESERVED. TE PRODUCTS MAY BE COVERED BY U.S. AND FOREIGN PATENT AND/OR PATENT PENDING

TOLLERANZE; SE NON DIVERSAMENTE SPECIFICATO
(TOLERANCES, UNLESS OTHERWISE SPECIFIED)

DIAM. ISOLANTE (INS. DIA. RANGE) RANGO FILO (WIRE RANGE) SCALA (SCALE)

± 0.3 - 2:1

ANGOLI (ANGLES) ± 2°

TE TE Connectivity

AW5	ECR-10-022530	KK	11FEB11	DIS. (DR.)	15MAY01	DESCRIZIONE (DESCRIPTION)	BLOCCHETTO A 4 VIE
AW4	REV PER ECO-10-000445	KK	JAN10	CONT. (CHK)	-	FASTIN-ON TAB SERIE .250"	
AW3	REDRAWN W/O CHANGES PER ET00-0129-01		28-5 2001	LOC. (APP.)	15MAY01	LOC. (APP.)	
REV.	REVISIONI (REVISION RECORD)	DIS. (DR.)	DATA (DATE)	APP. (APP.)		LOC. (APP.)	
				C. TARTARI		REV. (REV.)	AW5
						FOGLIO (SHEET)	1
						NUMERO (DWG NO)	C-180901
						REV. (REV.)	1
						FOGLIO (SHEET)	1

DISTRIBUZIONE (PRINT DIST.)