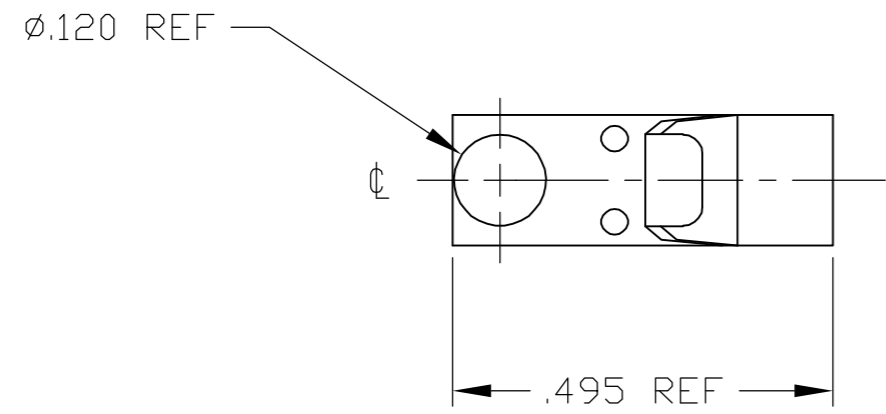
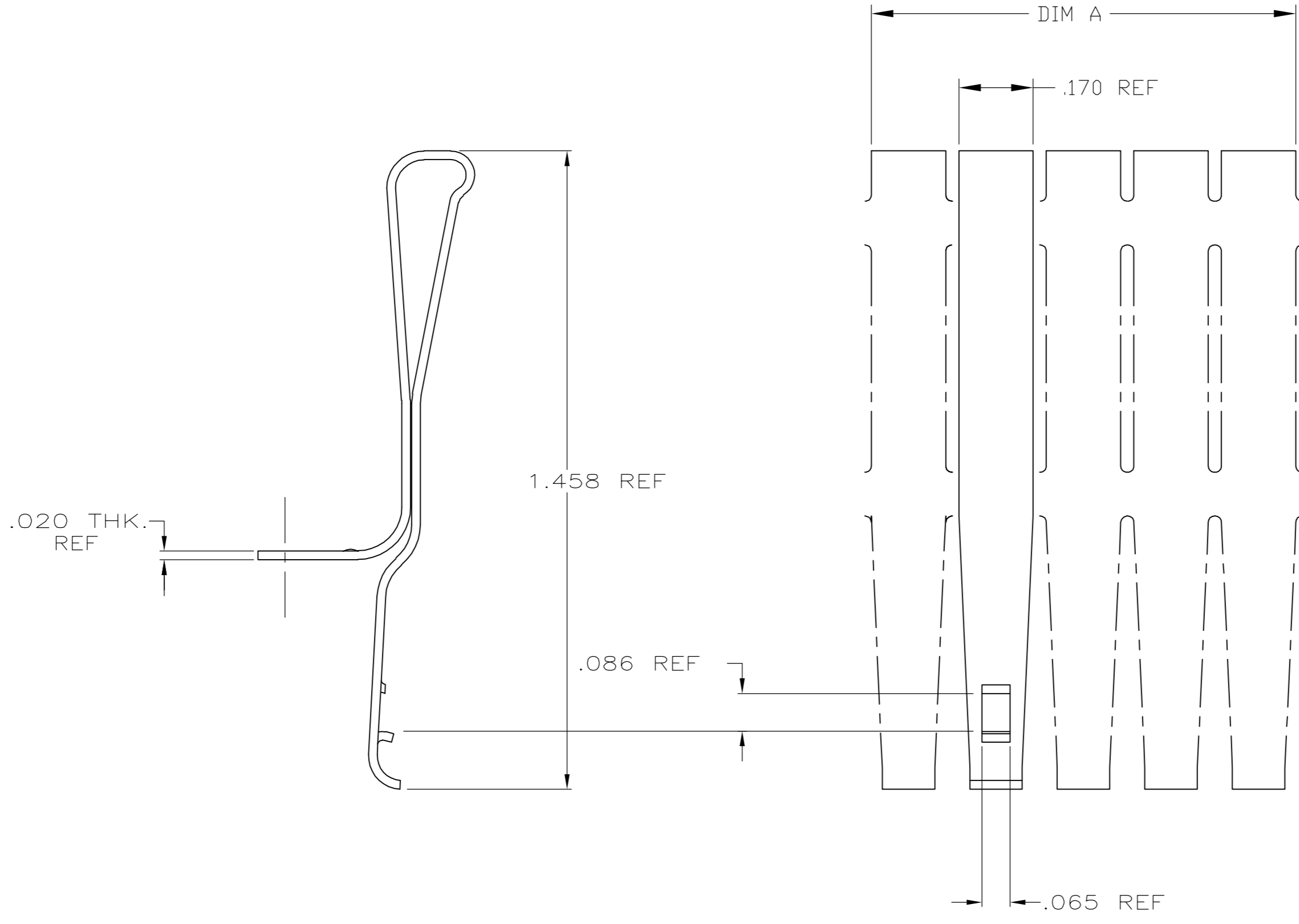


THIS DRAWING IS UNPUBLISHED. RELEASED FOR PUBLICATION  
 © COPYRIGHT BY TYCO ELECTRONICS CORPORATION. ALL RIGHTS RESERVED.

LOC		DIST		REVISIONS			
P	LTR	DESCRIPTION		DATE	DWN	APVD	
DF	A0	E		REV PER ECO 07-004450	3-15-07	CT	ND



OBSOLETE	.970	213388-5
OBSOLETE	.770	213388-4
OBSOLETE	.570	213388-3
OBSOLETE	.370	213388-2
	.170	213388-1
	DIM A	PART NO.

THIS DRAWING IS A CONTROLLED DOCUMENT.		DWN	2-26-88	Tyco Electronics Corporation Harrisburg, PA 17105-3608			
DIMENSIONS: INCHES		CHK	3-8-88				
TOLERANCES UNLESS OTHERWISE SPECIFIED:		APVD	3-8-88				
0 PLC ± - 1 PLC ± - 2 PLC ± - 3 PLC ± .015 4 PLC ± - ANGLES ± - FINISH		NAME	SPRING LATCH,WIU				
MATERIAL: STAINLESS STEEL		FINISH: PASSIVATED	WEIGHT: -	SIZE: A2	CAGE CODE: 00779	DRAWING NO: C=213388	RESTRICTED TO: -
CUSTOMER DRAWING			SCALE: 4:1	SHEET: 1 of 1	REV: E		

213388

A