

# MX25R8035F

**ULTRA LOW POWER, 8M-BIT [x 1/x 2/x 4]  
CMOS MXSMIO<sup>®</sup> (SERIAL MULTI I/O)  
FLASH MEMORY**

## ***Key Features***

- *Ultra Low Power Mode and High Performance Mode*
- *Wide Range VCC 1.65V-3.6V for Read, Erase and Program Operations*
- *Unique ID and Secure OTP Support*
- *Multi I/O Support - Single I/O, Dual I/O and Quad I/O*
- *Program Suspend/Resume & Erase Suspend/Resume*

## Contents

<b>1. FEATURES</b> .....	<b>4</b>
<b>2. GENERAL DESCRIPTION</b> .....	<b>6</b>
Table 1. Additional Feature .....	7
<b>3. PIN CONFIGURATIONS</b> .....	<b>8</b>
<b>4. PIN DESCRIPTION</b> .....	<b>8</b>
<b>5. BLOCK DIAGRAM</b> .....	<b>9</b>
<b>6. DATA PROTECTION</b> .....	<b>10</b>
Table 2. Protected Area Sizes .....	11
Table 3. 8K-bit Secured OTP Definition .....	12
<b>7. MEMORY ORGANIZATION</b> .....	<b>13</b>
Table 4. Memory Organization .....	13
<b>8. DEVICE OPERATION</b> .....	<b>14</b>
<b>9. HOLD FEATURE</b> .....	<b>16</b>
<b>10. COMMAND DESCRIPTION</b> .....	<b>17</b>
Table 5. Command Set.....	17
10-1. Write Enable (WREN).....	20
10-2. Write Disable (WRDI) .....	21
10-3. Read Identification (RDID).....	22
10-4. Factory Mode Enable (FMEN).....	23
10-5. Read Electronic Signature (RES) .....	24
10-6. Read Electronic Manufacturer ID & Device ID (REMS).....	25
10-7. ID Read.....	26
Table 6. ID Definitions .....	26
10-8. Read Status Register (RDSR).....	27
10-9. Read Configuration Register (RDCR).....	32
10-10. Write Status Register (WRSR) .....	33
Table 7. Protection Modes.....	34
10-11. Read Data Bytes (READ) .....	37
10-12. Read Data Bytes at Higher Speed (FAST_READ) .....	38
10-13. Dual Read Mode (DREAD).....	39
10-14. 2 x I/O Read Mode (2READ) .....	40
10-15. Quad Read Mode (QREAD) .....	41
10-16. 4 x I/O Read Mode (4READ) .....	42
10-17. Burst Read.....	44
10-18. Performance Enhance Mode .....	45
10-19. Sector Erase (SE).....	47
10-20. Block Erase (BE32K).....	48
10-21. Block Erase (BE) .....	49
10-22. Chip Erase (CE).....	50
10-23. Page Program (PP) .....	51
10-24. Quad Input Page Program (QPP).....	52
10-25. 4 x I/O Page Program (4PP).....	53
10-26. Deep Power-down (DP).....	54
10-27. Enter Secured OTP (ENSO).....	55
10-28. Exit Secured OTP (EXSO).....	55

10-29. Read Security Register (RDSCUR).....	55
Table 8. Security Register Definition .....	56
10-30. Write Security Register (WRSCUR) .....	56
10-31. Program/Erase Suspend/Resume .....	57
Table 9. Readable Area of Memory While a Program or Erase Operation is Suspended.....	57
Table 10. Acceptable Commands During Program/Erase Suspend after tPSL/tESL.....	57
Table 11. Acceptable Commands During Suspend (tPSL/tESL not required).....	58
10-32. Program Resume and Erase Resume.....	59
10-33. No Operation (NOP) .....	60
10-34. Software Reset (Reset-Enable (RSTEN) and Reset (RST)) .....	60
10-35. High Voltage Operation.....	62
10-36. Read SFDP Mode (RDSFDP) .....	63
10-37. Factory Mode Sector Erase .....	64
10-38. Factory Mode 32KB Block Erase.....	65
10-39. Factory Mode 64KB Block Erase.....	66
10-40. Factory Mode Chip Erase .....	67
10-41. Read Factory Status .....	68
<b>11. RESET.....</b>	<b>69</b>
Table 12. Reset Timing-(Power On).....	69
Table 13. Reset Timing-(Other Operation) .....	69
<b>12. POWER-ON STATE .....</b>	<b>70</b>
<b>13. ELECTRICAL SPECIFICATIONS.....</b>	<b>71</b>
Table 14. Absolute Maximum Ratings.....	71
Table 15. Capacitance.....	71
Table 16. DC Characteristics.....	73
Table 17. AC Characteristics .....	75
<b>14. OPERATING CONDITIONS.....</b>	<b>79</b>
Table 18. Power-Up/Down Voltage and Timing.....	81
14-1. Initial Delivery State .....	81
<b>15. ERASE AND PROGRAMMING PERFORMANCE .....</b>	<b>82</b>
<b>16. ERASE AND PROGRAMMING PERFORMANCE (Factory Mode) .....</b>	<b>83</b>
<b>17. LATCH-UP CHARACTERISTICS .....</b>	<b>83</b>
<b>18. ORDERING INFORMATION .....</b>	<b>84</b>
<b>19. PART NAME DESCRIPTION.....</b>	<b>85</b>
<b>20. PACKAGE INFORMATION.....</b>	<b>86</b>
20-1. 8 PIN SOP (150mil) .....	86
20-2. 8 PIN SOP (200mil) .....	87
20-3. 8 Land WSON (6x5mm) .....	88
20-4. 8 Land USON (2x3mm) .....	89
20-5. 3-2-3 Ball Array 8-BALL BGA (WLCSP).....	90
20-6. 2x4 Ball Array 8-BALL BGA (WLCSP) .....	91
20-7. 2x4 Ball Array 8-BALL BGA (WLCSP) (Height: 0.3mm) .....	92
<b>21. REVISION HISTORY .....</b>	<b>93</b>

---

## Ultra Low Power 8M-BIT [x 1/x 2/x 4] CMOS MXSMIO® (SERIAL MULTI I/O) FLASH MEMORY

### 1. FEATURES

#### GENERAL

- Supports Serial Peripheral Interface -- Mode 0 and Mode 3
- 8,388,608 x 1 bit structure or 4,194,304 x 2 bits (two I/O mode) structure or 2,097,152 x 4 bits (four I/O mode) structure
- Equal Sectors with 4K byte each, or Equal Blocks with 32K/64K byte each
  - Any Block can be erased individually
- Single Power Supply Operation
  - Operation Voltage: 1.65V-3.6V for Read, Erase and Program Operations
- Latch-up protected to 100mA from -1V to Vcc +1V

#### PERFORMANCE

- High Performance
  - Fast read
    - 1 I/O: 108MHz with 8 dummy cycles
    - 2 I/O: 104MHz with 4 dummy cycles, equivalent to 208MHz
    - 4 I/O: 104MHz with 2+4 dummy cycles, equivalent to 416MHz
  - Fast program and erase time
  - 8/16/32/64 byte Wrap-Around Burst Read Mode
- Ultra Low Power Consumption
- Minimum 100,000 erase/program cycles
- 20 years data retention

#### SOFTWARE FEATURES

- Input Data Format
  - 1-byte Command code
- Advanced Security Features
  - Block lock protection
  - The BP0-BP3 status bit defines the size of the area to be software protection against program and erase instructions
- Additional 8K bits secured OTP
  - Features unique identifier.
  - Factory locked identifiable and customer lockable
- Auto Erase and Auto Program Algorithm
  - Automatically erases and verifies data at selected sector or block
  - Automatically programs and verifies data at selected page by an internal algorithm that automatically times the program pulse widths (Any page to be programmed should have page in the erased state first)
- Status Register Feature
- Command Reset
- Program/Erase Suspend and Program/Erase Resume
- Electronic Identification
  - JEDEC 1-byte manufacturer ID and 2-byte device ID
  - RES command for 1-byte Device ID
  - REMS command for 1-byte manufacturer ID and 1-byte device ID
- Support Serial Flash Discoverable Parameters (SFDP) mode
- Support Unique ID (Please contact local Macronix sales for detail information)

#### **HARDWARE FEATURES**

- SCLK Input
  - Serial clock input
- SI/SIO0
  - Serial Data Input or Serial Data Input/Output for 2 x I/O read mode and 4 x I/O read mode
- SO/SIO1
  - Serial Data Output or Serial Data Input/Output for 2 x I/O read mode and 4 x I/O read mode
- WP#/SIO2
  - Hardware write protection or serial data Input/Output for 4 x I/O read mode
- RESET#/SIO3 \* or HOLD#/SIO3 \*
  - Hardware Reset pin or Serial input & Output for 4 x I/O read mode
  - or
  - HOLD feature, to pause the device without deselecting the device or Serial input & Output for 4 x I/O read mode
  - \* **Depends on part number options**
- PACKAGE
  - 8-pin SOP (150mil/200mil)
  - 8-land WSON (6x5mm)
  - 8-land USON (2x3mm)
  - 8-ball WLCSP (3-2-3 Ball Array)
  - 8-ball WLCSP (2x4 Ball Array)
  - **All devices are RoHS Compliant and Halogen-free**

## 2. GENERAL DESCRIPTION

MX25R8035F is 8Mb bits Serial NOR Flash memory, which is configured as 1,048,576 x 8 internally. When it is in four I/O mode, the structure becomes 2,097,152 bits x 4 or 4,194,304 bits x 2.

MX25R8035F features a serial peripheral interface and software protocol allowing operation on a simple 3-wire bus while it is in single I/O mode. The three bus signals are a clock input (SCLK), a serial data input (SI), and a serial data output (SO). Serial access to the device is enabled by CS# input.

When it is in two I/O read mode, the SI pin and SO pin become SIO0 pin and SIO1 pin for address/dummy bits input and data output. When it is in four I/O read mode, the SI pin, SO pin, WP# pin and RESET#/HOLD# pin become SIO0 pin, SIO1 pin, SIO2 pin and SIO3 pin for address/dummy bits input and data output.

The MX25R8035F MXSMIO<sup>®</sup> (Serial Multi I/O) provides sequential read operation on the whole chip.

After program/erase command is issued, auto program/erase algorithms which program/erase and verify the specified page or sector/block locations will be executed. Program command is executed on byte basis, or page (256 bytes) basis, or word basis. Erase command is executed on 4K-byte sector, 32K-byte block, or 64K-byte block, or whole chip basis.

To provide user with ease of interface, a status register is included to indicate the status of the chip. The status read command can be issued to detect completion status of a program or erase operation via WIP bit.

Advanced security features enhance the protection and security functions, please see security features section for more details.

The MX25R8035F utilizes Macronix's proprietary memory cell, which reliably stores memory contents even after 100,000 program and erase cycles.

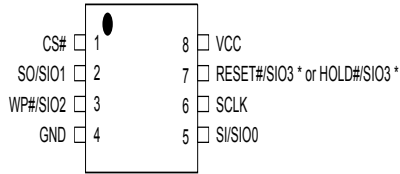
**Table 1. Additional Feature**

<b>Protection and Security</b>	<b>MX25R8035F</b>
Flexible Block Protection (BP0-BP3)	√
8K-bit security OTP	√

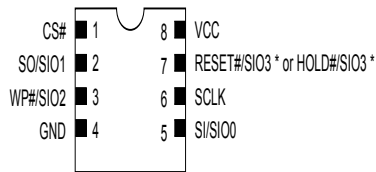
<b>Fast Read Performance</b>	<b>Ultra Low Power Mode (Configuration Register-2 bit1= 0)</b>					<b>High Performance Mode (Configuration Register-2 bit1= 1)</b>				
	1 I/O	1I/2O	2 I/O	1I/4O	4 I/O	1 I/O	1I/2O	2 I/O	1I/4O	4 I/O
Dummy Cycle	8	8	4	8	6	8	8	4	8	6
Frequency	33MHz	16MHz	16MHz	16MHz	16MHz	108MHz	104MHz	104MHz	104MHz	104MHz

### 3. PIN CONFIGURATIONS

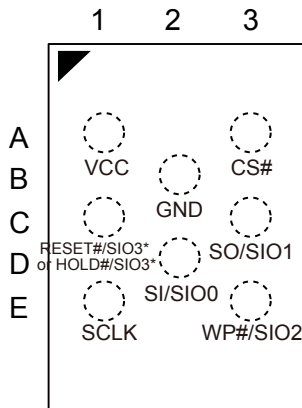
#### 8-PIN SOP (150mil/200mil)



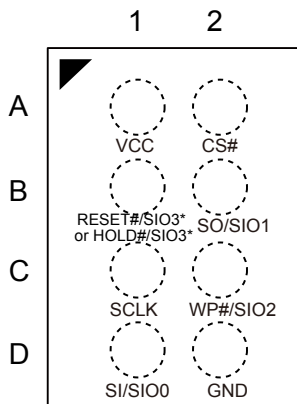
#### 8-LAND WSON (6x5mm), USON (2x3mm)



#### 3-2-3 Ball Array 8-BALL BGA (WLCSP) TOP View



#### 2x4 Ball Array 8-BALL BGA (WLCSP) TOP View



\* Depends on part number options.

### 4. PIN DESCRIPTION

SYMBOL	DESCRIPTION
CS#	Chip Select
SI/SIO0	Serial Data Input (for 1 x I/O)/ Serial Data Input & Output (for 4xI/O read mode)
SO/SIO1	Serial Data Output (for 1 x I/O)/ Serial Data Input & Output (for 4xI/O read mode)
SCLK	Clock Input
WP#/SIO2	Write Protection Active Low or Serial Data Input & Output (for 4xI/O read mode)
RESET#/SIO3 *	Hardware Reset Pin Active low or Serial Data Input & Output (for 4xI/O read mode)
HOLD#/SIO3 *	To pause the device without deselecting the device or Serial Data Input & Output (for 4xI/O read mode)
VCC	Power Supply
GND	Ground

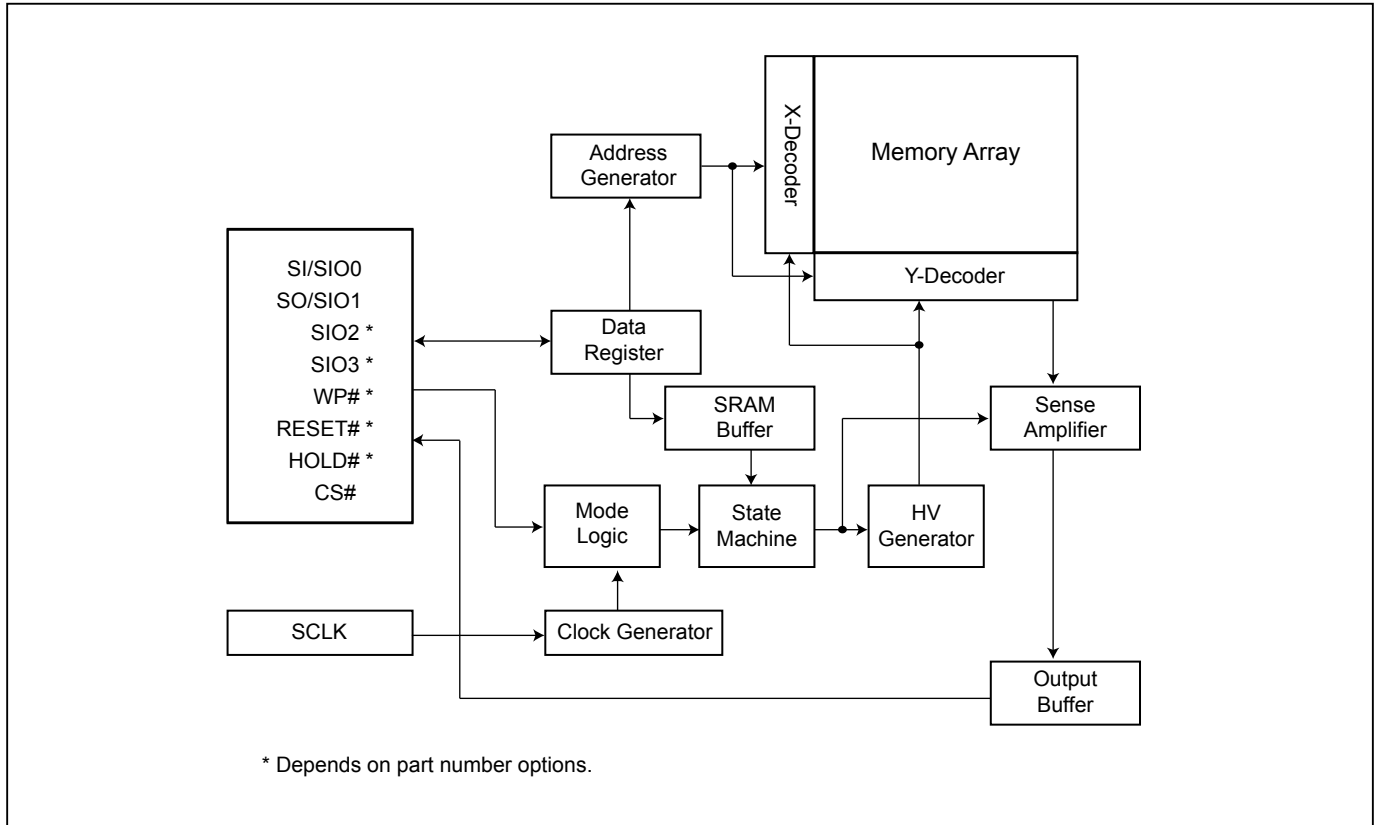
\* Depends on part number options.

#### Note:

1. The pin of RESET#/SIO3, HOLD#/SIO3 or WP#/SIO2 will remain internal pull up function while this pin is not physically connected in system configuration. However, the internal pull up function will be disabled if the system has physical connection to RESET#/SIO3, HOLD#/SIO3 or WP#/SIO2 pin.



## 5. BLOCK DIAGRAM



## 6. DATA PROTECTION

During power transition, there may be some false system level signals which result in inadvertent erasure or programming. The device is designed to protect itself from these accidental write cycles.

The state machine will be reset as standby mode automatically during power up. In addition, the control register architecture of the device constrains that the memory contents can only be changed after specific command sequences have completed successfully.

In the following, there are several features to protect the system from the accidental write cycles during VCC power-up and power-down or from system noise.

- Power-on reset: to avoid sudden power switch by system power supply transition, the power-on reset may protect the Flash.
- Valid command length checking: The command length will be checked whether it is at byte base and completed on byte boundary.
- Write Enable (WREN) command: WREN command is required to set the Write Enable Latch bit (WEL) before issuing other commands to change data.
- Deep Power Down Mode: By entering deep power down mode, the flash device is under protected from writing all commands except toggling the CS#. For more detail please see "[10-26. Deep Power-down \(DP\)](#)".
- Advanced Security Features: there are some protection and security features which protect content from inadvertent write and hostile access.

### I. Block lock protection

- The Software Protected Mode (SPM) use (BP3, BP2, BP1, BP0) bits to allow part of memory to be protected as read only. The protected area definition is shown as "[Table 2. Protected Area Sizes](#)", the protected areas are more flexible which may protect various area by setting value of BP0-BP3 bits.

- The Hardware Protected Mode (HPM) use WP#/SIO2 to protect the (BP3, BP2, BP1, BP0) bits and Status Register Write Protect (SRWD) bit. If the system goes into four I/O mode, the feature of HPM will be disabled.

**Table 2. Protected Area Sizes**

**Protected Area Sizes (TB bit = 0)**

Status bit				Protect Level
BP3	BP2	BP1	BP0	8Mb
0	0	0	0	0 (none)
0	0	0	1	1 (1block, block 15th)
0	0	1	0	2 (2blocks, block 14th-15th)
0	0	1	1	3 (4blocks, block 12th-15th)
0	1	0	0	4 (8blocks, block 8th-15th)
0	1	0	1	5 (16blocks, protect all)
0	1	1	0	6 (16blocks, protect all)
0	1	1	1	7 (16blocks, protect all)
1	0	0	0	8 (16blocks, protect all)
1	0	0	1	9 (16blocks, protect all)
1	0	1	0	10 (16blocks, protect all)
1	0	1	1	11 (16blocks, protect all)
1	1	0	0	12 (16blocks, protect all)
1	1	0	1	13 (16blocks, protect all)
1	1	1	0	14 (16blocks, protect all)
1	1	1	1	15 (16blocks, protect all)

**Protected Area Sizes (TB bit = 1)**

Status bit				Protect Level
BP3	BP2	BP1	BP0	8Mb
0	0	0	0	0 (none)
0	0	0	1	1 (1block, block 0th)
0	0	1	0	2 (2blocks, block 0th-1st)
0	0	1	1	3 (4blocks, block 0th-3rd)
0	1	0	0	4 (8blocks, block 0th-7th)
0	1	0	1	5 (16blocks, protect all)
0	1	1	0	6 (16blocks, protect all)
0	1	1	1	7 (16blocks, protect all)
1	0	0	0	8 (16blocks, protect all)
1	0	0	1	9 (16blocks, protect all)
1	0	1	0	10 (16blocks, protect all)
1	0	1	1	11 (16blocks, protect all)
1	1	0	0	12 (16blocks, protect all)
1	1	0	1	13 (16blocks, protect all)
1	1	1	0	14 (16blocks, protect all)
1	1	1	1	15 (16blocks, protect all)

**Note:** The device is ready to accept a Chip Erase instruction if, and only if, all Block Protect (BP3, BP2, BP1, BP0) are 0.

**II. Additional 8K-bit secured OTP** for unique identifier: to provide 8K-bit One-Time Program area for setting device unique serial number - Which may be set by factory or system maker.

The 8K-bit secured OTP area is composed of two rows of 4K-bit. Customer could lock the first 4K-bit OTP area and factory could lock the other.

- Security register bit 0 indicates whether the 2<sup>nd</sup> 4K-bit is locked by factory or not.
- Customer may lock-down the customer lockable secured OTP by writing WRSCUR(write security register) command to set customer lock-down bit1 as "1". Please refer to table of "[Table 8. Security Register Definition](#)" for security register bit definition and table of "[Table 3. 8K-bit Secured OTP Definition](#)" for address range definition.
- To program 8K-bit secured OTP by entering secured OTP mode (with ENSO command), and going through normal program procedure, and then exiting secured OTP mode by writing EXSO command.

**Note:** Once lock-down whatever by factory or customer, the corresponding secured area cannot be changed any more. While in 8K-bit Secured OTP mode, array access is not allowed.

**Table 3. 8K-bit Secured OTP Definition**

Address range	Size	Lock-down
xxx000~xxx1FF	4096-bit	Determined by Customer
xxx200~xxx3FF	4096-bit	Determined by Factory

**7. MEMORY ORGANIZATION**

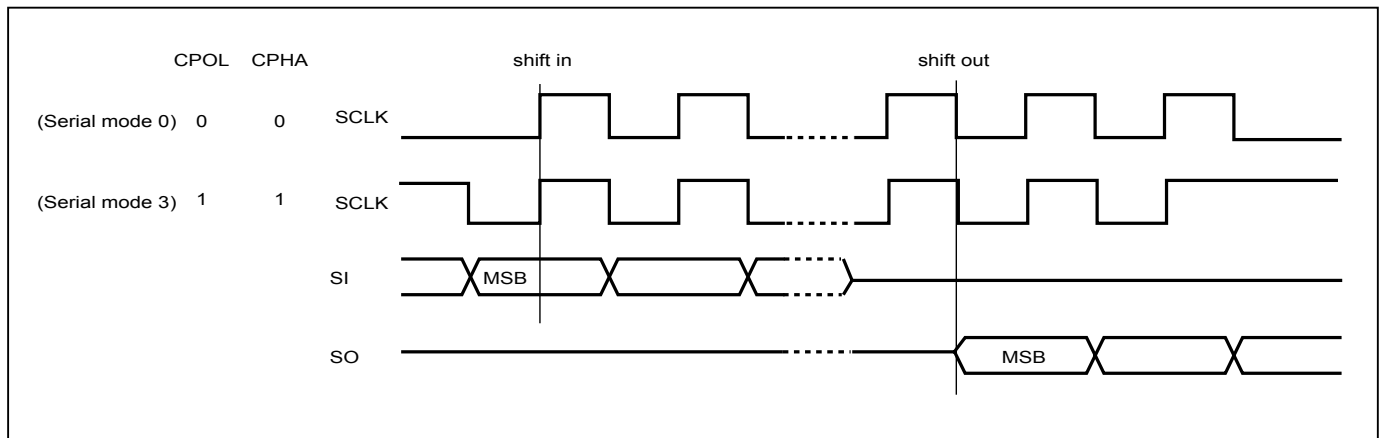
**Table 4. Memory Organization**

Block (64KB)	Block (32KB)	Sector (4KB)	Address Range	
15	31	255	0FF000h	0FFFFFFh
		:	:	:
	30	240	0F0000h	0F0FFFh
14	29	239	0EF000h	0EFFFFh
		:	:	:
	28	224	0E0000h	0E0FFFh
13	27	223	0DF000h	0DFFFFh
		:	:	:
	26	208	0D0000h	0D0FFFh
12	25	207	0CF000h	0CFFFFh
		:	:	:
	24	192	0C0000h	0C0FFFh
11	23	191	0BF000h	0BFFFFh
		:	:	:
	22	176	0B0000h	0B0FFFh
10	21	175	0AF000h	0AFFFFh
		:	:	:
	20	160	0A0000h	0A0FFFh
9	19	159	09F000h	09FFFFh
		:	:	:
	18	144	090000h	090FFFh
8	17	143	08F000h	08FFFFh
		:	:	:
	16	128	080000h	080FFFh
7	15	127	07F000h	07FFFFh
		:	:	:
	14	112	070000h	070FFFh
6	13	111	06F000h	06FFFFh
		:	:	:
	12	96	060000h	060FFFh
5	11	95	05F000h	05FFFFh
		:	:	:
	10	80	050000h	050FFFh
4	9	79	04F000h	04FFFFh
		:	:	:
	8	64	040000h	040FFFh
3	7	63	03F000h	03FFFFh
		:	:	:
	6	48	030000h	030FFFh
2	5	47	02F000h	02FFFFh
		:	:	:
	4	32	020000h	020FFFh
1	3	31	01F000h	01FFFFh
		:	:	:
	2	16	010000h	010FFFh
0		15	00F000h	00FFFFh
		:	:	:
		2	002000h	002FFFh
		1	001000h	001FFFh
	0	000000h	000FFFh	

## 8. DEVICE OPERATION

1. Before a command is issued, status register should be checked to ensure device is ready for the intended operation.
2. When incorrect command is inputted to this device, it enters standby mode and remains in standby mode until next CS# falling edge. In standby mode, SO pin of the device is High-Z.
3. When correct command is inputted to this device, it enters active mode and remains in active mode until next CS# rising edge.
4. Input data is latched on the rising edge of Serial Clock (SCLK) and data shifts out on the falling edge of SCLK. The difference of Serial mode 0 and mode 3 is shown as "[Figure 1. Serial Modes Supported](#)".
5. For the following instructions: RDID, RDSR, RDCR, RDSCUR, READ, FAST\_READ, DREAD, 2READ, 4READ, QREAD, RDSFDP, RES, REMS, the shifted-in instruction sequence is followed by a data-out sequence. After any bit of data being shifted out, the CS# can be high. For the following instructions: WREN, WRDI, WRSR, SE, BE32K, BE, CE, PP, QPP, 4PP, DP, ENSO, EXSO, WRSCUR, SUSPEND, RESUME, NOP, RSTEN, RST, the CS# must go high exactly at the byte boundary; otherwise, the instruction will be rejected and not executed.
6. While a Write Status Register, Program or Erase operation is in progress, access to the memory array is neglected and will not affect the current operation of Write Status Register, Program, Erase.

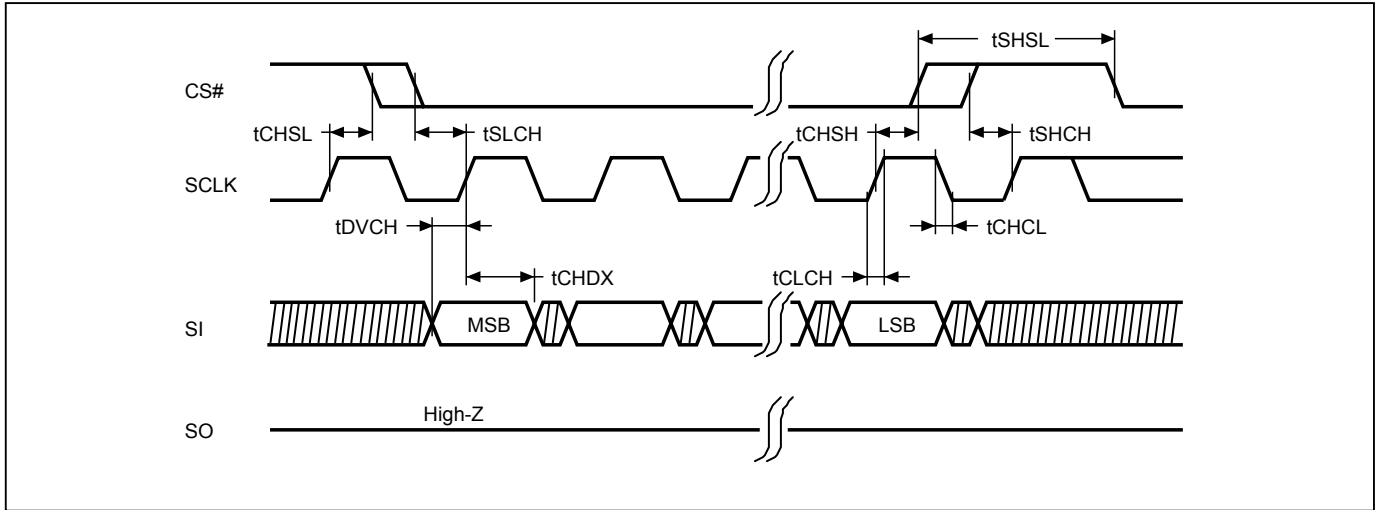
**Figure 1. Serial Modes Supported**



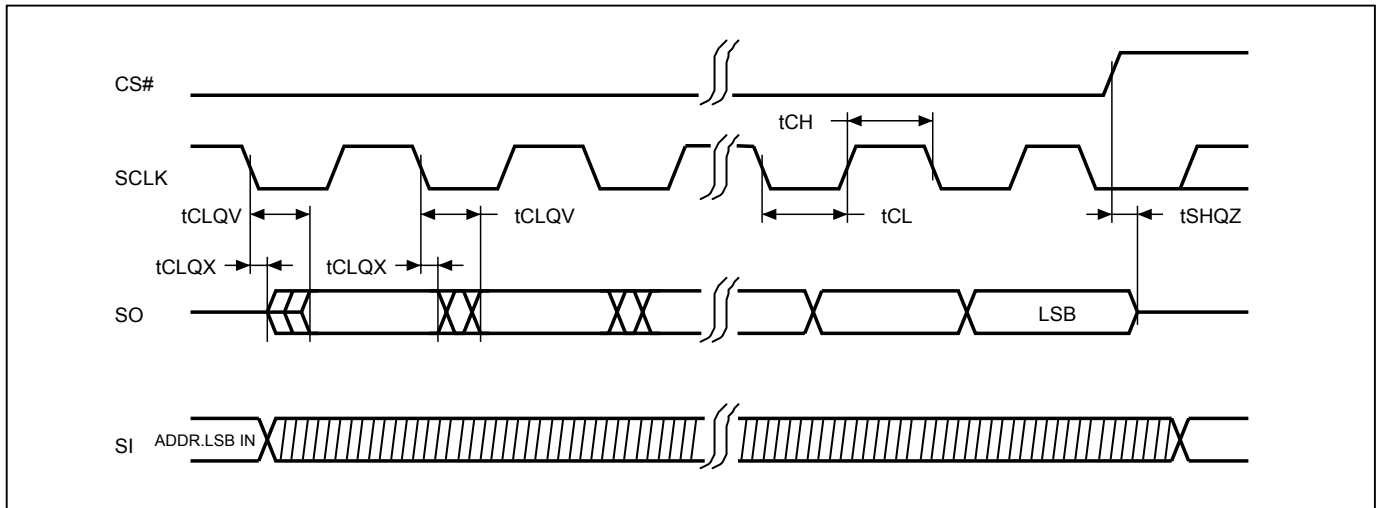
**Note:**

CPOL indicates clock polarity of Serial master, CPOL=1 for SCLK high while idle, CPOL=0 for SCLK low while not transmitting. CPHA indicates clock phase. The combination of CPOL bit and CPHA bit decides which Serial mode is supported.

**Figure 2. Serial Input Timing**



**Figure 3. Output Timing**

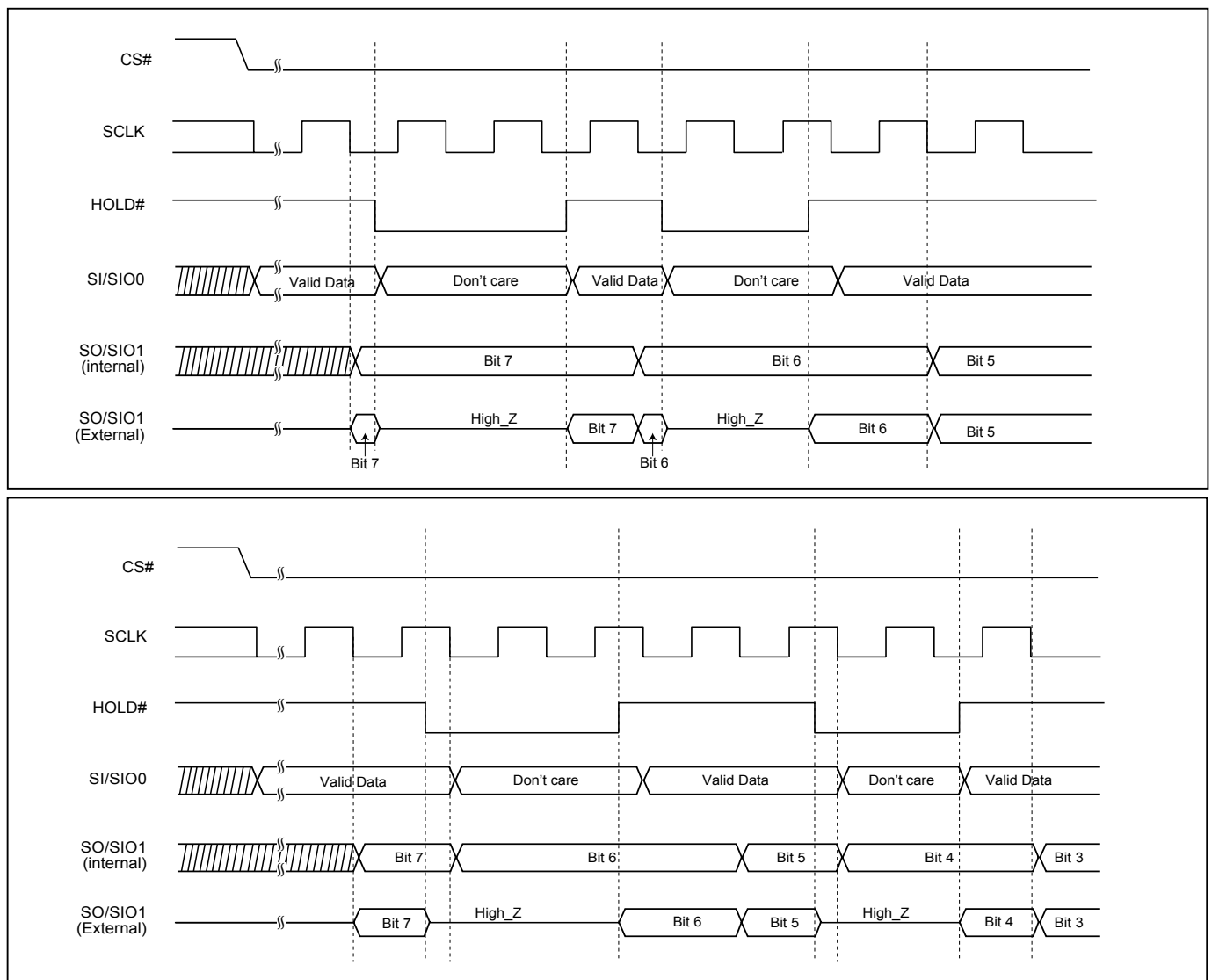


## 9. HOLD FEATURE

HOLD# pin signal goes low to hold any serial communications with the device. The HOLD feature will not stop the operation of write status register, programming, or erasing in progress.

The operation of HOLD requires Chip Select (CS#) keeping low and starts on falling edge of HOLD# pin signal while Serial Clock (SCLK) signal is being low (if Serial Clock signal is not being low, HOLD operation will not start until Serial Clock signal being low). The HOLD condition ends on the rising edge of HOLD# pin signal while Serial Clock (SCLK) signal is being low (if Serial Clock signal is not being low, HOLD operation will not end until Serial Clock being low).

**Figure 4. Hold Condition Operation**



During the HOLD operation, the Serial Data Output (SO) is high impedance when Hold# pin goes low and will keep high impedance until Hold# pin goes high. The Serial Data Input (SI) is don't care if both Serial Clock (SCLK) and Hold# pin goes low and will keep the state until SCLK goes low and Hold# pin goes high. If Chip Select (CS#) drives high during HOLD operation, it will reset the internal logic of the device. To re-start communication with chip, the HOLD# must be at high and CS# must be at low.

**Note:** The HOLD feature is disabled during Quad I/O mode.



## 10. COMMAND DESCRIPTION

**Table 5. Command Set**

### Read/Write Array Commands

I/O	1	1	2	2	4	4	1
Command (byte)	READ (normal read)	FAST READ (fast read data)	2READ (2 x I/O read command)	DREAD (1I / 2O read command)	4READ (4 x I/O read)	QREAD (1I/4O read)	PP (page program)
1st byte	03 (hex)	0B (hex)	BB (hex)	3B (hex)	EB (hex)	6B (hex)	02 (hex)
2nd byte	ADD1	ADD1	ADD1	ADD1	ADD1	ADD1	ADD1
3rd byte	ADD2	ADD2	ADD2	ADD2	ADD2	ADD2	ADD2
4th byte	ADD3	ADD3	ADD3	ADD3	ADD3	ADD3	ADD3
5th byte		Dummy	Dummy	Dummy	Dummy	Dummy	
Action	n bytes read out until CS# goes high	n bytes read out until CS# goes high	n bytes read out by 2 x I/O until CS# goes high	n bytes read out by Dual Output until CS# goes high	Quad I/O read with 6 dummy cycles	n bytes read out by Quad output until CS# goes high	to program the selected page

I/O	4	4	1	1	1	1	1
Command (byte)	QPP (Quad Input Page Program)	4PP (quad page program)	SE (sector erase)	BE 32K (block erase 32KB)	BE (block erase 64KB)	CE (chip erase)	RDSFDP (Read SFDP)
1st byte	32 (hex)	38 (hex)	20 (hex)	52 (hex)	D8 (hex)	60 or C7 (hex)	5A (hex)
2nd byte	ADD1	ADD1	ADD1	ADD1	ADD1		ADD1
3rd byte	ADD2	ADD2	ADD2	ADD2	ADD2		ADD2
4th byte	ADD3	ADD3	ADD3	ADD3	ADD3		ADD3
5th byte							Dummy
Action	single I/O address input and quad I/O data input to program the selected page	quad input to program the selected page	to erase the selected sector	to erase the selected 32KB block	to erase the selected block	to erase whole chip	Read SFDP mode

**Register/Setting Commands**

Command (byte)	WREN (write enable)	WRDI (write disable)	FMEN (factory mode enable)	RDSR (read status register)	RDCR (read configuration register)	WRSR (write status register)
1st byte	06 (hex)	04 (hex)	41 (hex)	05 (hex)	15 (hex)	01 (hex)
2nd byte						Values
3rd byte						Values
4th byte						Values
5th byte						
Action	sets the (WEL) write enable latch bit	resets the (WEL) write enable latch bit	enable factory mode	to read out the values of the status register	to read out the values of the configuration register -1 & configuration register -2	to write new values of the configuration/status register

Command (byte)	PGM/ERS Suspend (Suspend Program/Erase)	PGM/ERS Resume (Resumes Program/Erase)	DP (Deep power down)	SBL (Set Burst Length)	RDFSR (Read Factory Status Register)
1st byte	75 or B0 (hex)	7A or 30 (hex)	B9 (hex)	C0 (hex)	44 (hex)
2nd byte				Value	
3rd byte					
4th byte					
5th byte					
Action	program/erase operation is interrupted by suspend command	to continue performing the suspended program/erase sequence	enters deep power down mode	to set Burst length	to read out the values of the factory status register

**ID/Reset Commands**

Command (byte)	RDID (read identification)	RES (read electronic ID)	REMS (read electronic manufacturer & device ID)	ENSO (enter secured OTP)	EXSO (exit secured OTP)	RDSCUR (read security register)	WRSCUR (write security register)
1st byte	9F (hex)	AB (hex)	90 (hex)	B1 (hex)	C1 (hex)	2B (hex)	2F (hex)
2nd byte		x	x				
3rd byte		x	x				
4th byte		x	ADD <i>(Note 1)</i>				
5th byte							
Action	outputs JEDEC ID: 1-byte Manufacturer ID & 2-byte Device ID	to read out 1-byte Device ID	output the Manufacturer ID & Device ID	to enter the 8K-bit secured OTP mode	to exit the 8K-bit secured OTP mode	to read value of security register	to set the lock-down bit as "1" (once lock-down, cannot be update)

COMMAND (byte)	NOP (No Operation)	RSTEN (Reset Enable)	RST (Reset Memory)
1st byte	00 (hex)	66 (hex)	99 (hex)
2nd byte			
3rd byte			
4th byte			
5th byte			
Action			<i>(Note 3)</i>

Note 1: ADD=00H will output the manufacturer ID first and ADD=01H will output device ID first.

Note 2: It is not recommended to adopt any other code not in the command definition table, which will potentially enter the hidden mode.

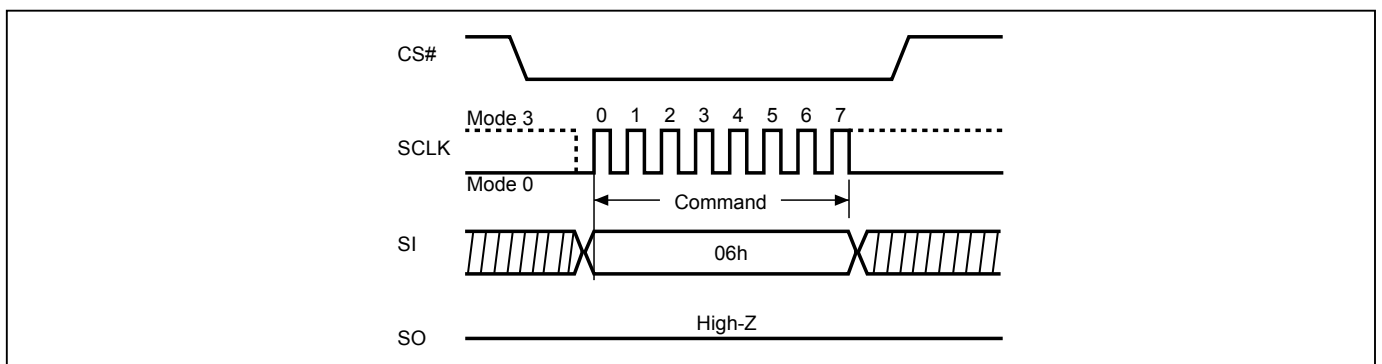
Note 3: The RSTEN command must be executed before executing the RST command. If any other command is issued in-between RSTEN and RST, the RST command will be ignored.

**10-1. Write Enable (WREN)**

The Write Enable (WREN) instruction is for setting Write Enable Latch (WEL) bit. For those instructions like PP, QPP, 4PP, SE, BE32K, BE, CE, and WRSR, which are intended to change the device content WEL bit should be set every time after the WREN instruction setting the WEL bit.

The sequence of issuing WREN instruction is: CS# goes low→sending WREN instruction code→ CS# goes high.

The SIO[3:1] are "don't care" .

**Figure 5. Write Enable (WREN) Sequence**

## 10-2. Write Disable (WRDI)

The Write Disable (WRDI) instruction is to reset Write Enable Latch (WEL) bit.

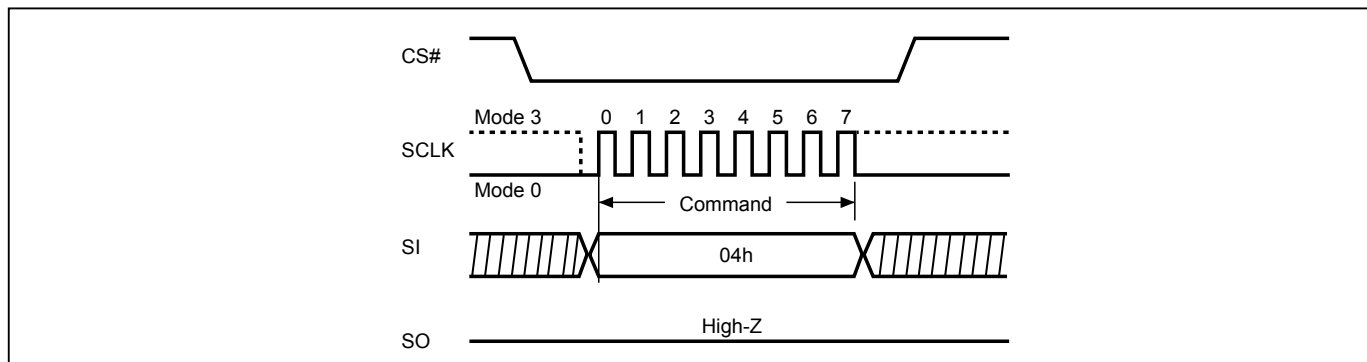
The sequence of issuing WRDI instruction is: CS# goes low→sending WRDI instruction code→CS# goes high.

The SIO[3:1] are "don't care".

The WEL bit is reset by following situations:

- Power-up
- Reset# pin driven low
- Completion of Write Disable (WRDI) instruction
- Completion of Write Status Register (WRSR) instruction
- Completion of Page Program (PP) instruction
- Completion of Quad Input Page Program (QPP) instruction
- Completion of Quad Page Program (4PP) instruction
- Completion of Sector Erase (SE) instruction
- Completion of Block Erase 32KB (BE32K) instruction
- Completion of Block Erase (BE) instruction
- Completion of Chip Erase (CE) instruction
- Program/Erase Suspend
- Completion of Softreset command
- Completion of Write Security Register (WRSCUR) command

**Figure 6. Write Disable (WRDI) Sequence**



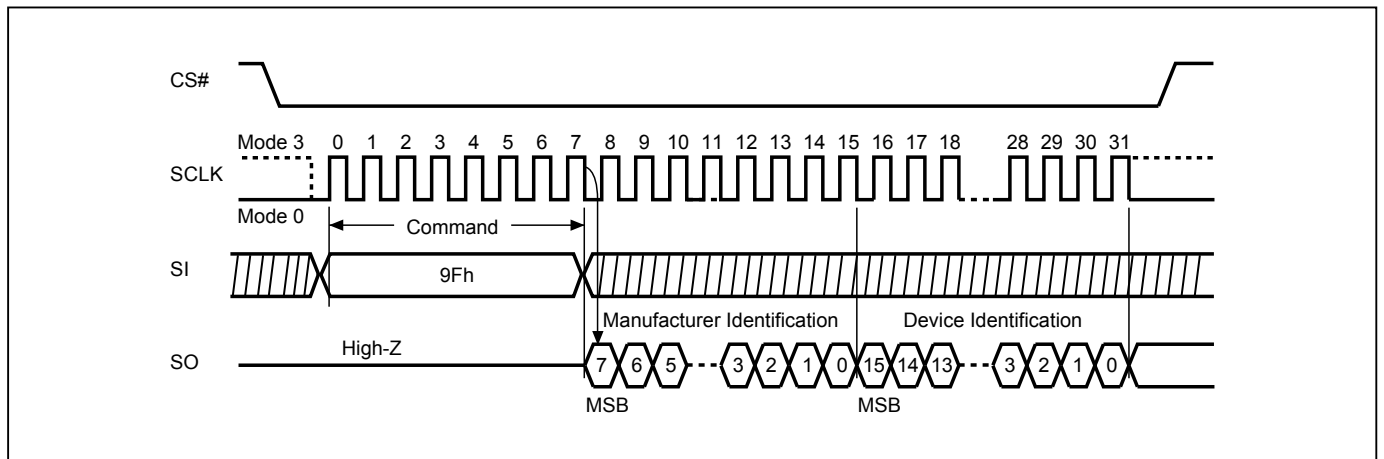
### 10-3. Read Identification (RDID)

The RDID instruction is for reading the manufacturer ID of 1-byte and followed by Device ID of 2-byte. The Macronix Manufacturer ID and Device ID are listed as "Table 6. ID Definitions".

The sequence of issuing RDID instruction is: CS# goes low→ sending RDID instruction code→24-bits ID data out on SO→ to end RDID operation can drive CS# to high at any time during data out.

While Program/Erase operation is in progress, it will not decode the RDID instruction, therefore there's no effect on the cycle of program/erase operation which is currently in progress. When CS# goes high, the device is at standby stage.

**Figure 7. Read Identification (RDID) Sequence**



#### 10-4. Factory Mode Enable (FMEN)

The Factory Mode Enable (FMEN) instruction is for enhance Program and Erase performance for increase factory production throughput. The FMEN instruction need to combine with the instructions which are intended to change the device content, like SE, BE32K, BE, and CE.

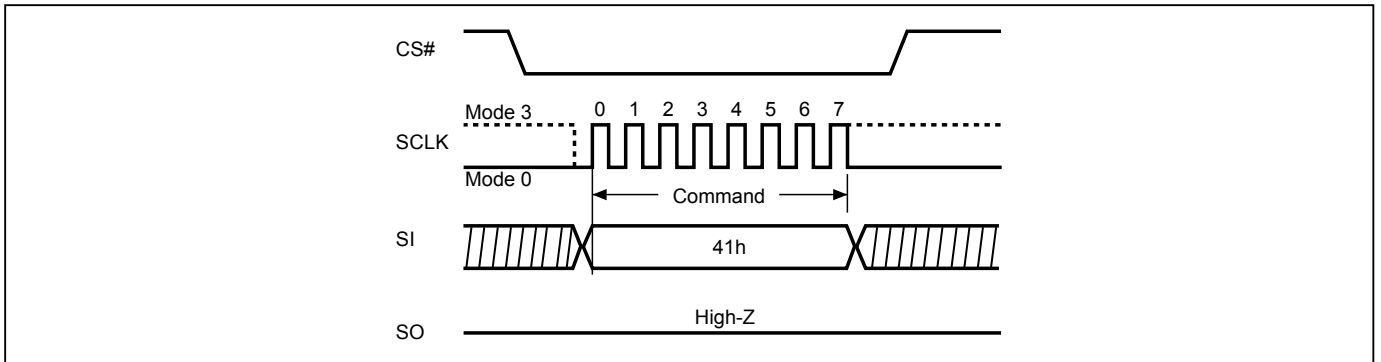
The sequence of issuing FMEN instruction is: CS# goes low→sending FMEN instruction code→ CS# goes high. A valid factory mode operation need to included three sequences: WREN instruction → FMEN instruction→ Erase instruction.

Suspend command is not acceptable under factory mode.

The FMEN is reset by following situations

- Power-up
- Reset# pin driven low
- SE command completion
- BE32K command completion
- BE command completion
- CE command completion
- Softreset command completion

**Figure 8. Factory Mode Enable (FMEN) Sequence**



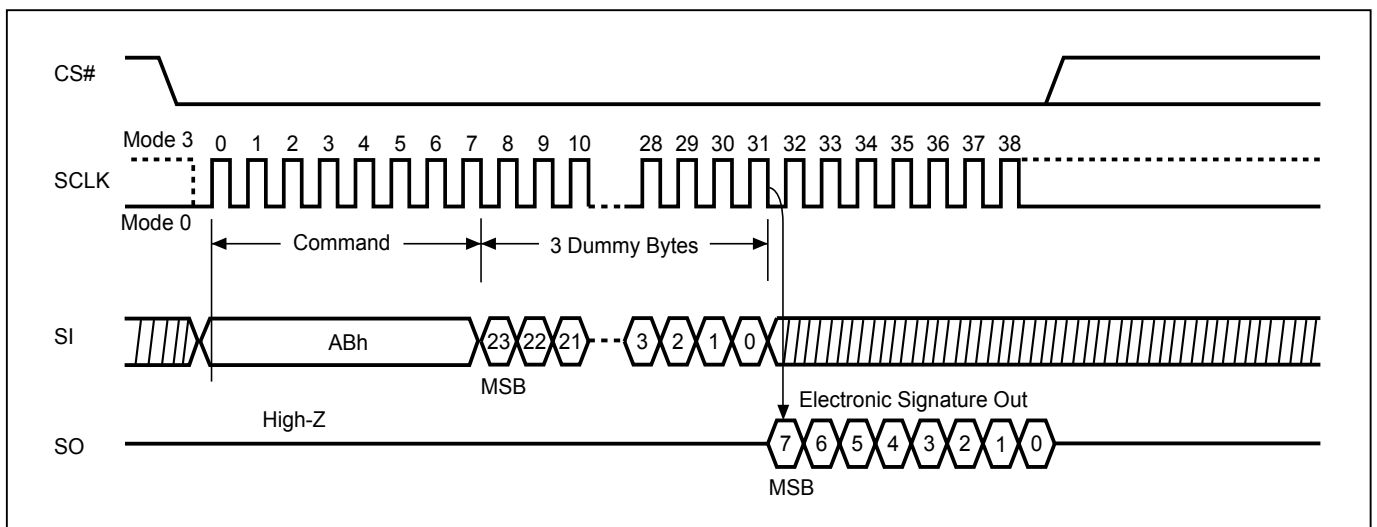
### 10-5. Read Electronic Signature (RES)

RES instruction is for reading out the old style of 8-bit Electronic Signature, whose values are shown as "Table 6. ID Definitions". This is not the same as RDID instruction. It is not recommended to use for new design. For new design, please use RDID instruction.

The SIO[3:1] are "don't care".

The RES instruction is ended by CS# goes high after the ID been read out at least once. The ID outputs repeatedly if continuously send the additional clock cycles on SCLK while CS# is at low.

**Figure 9. Read Electronic Signature (RES) Sequence**



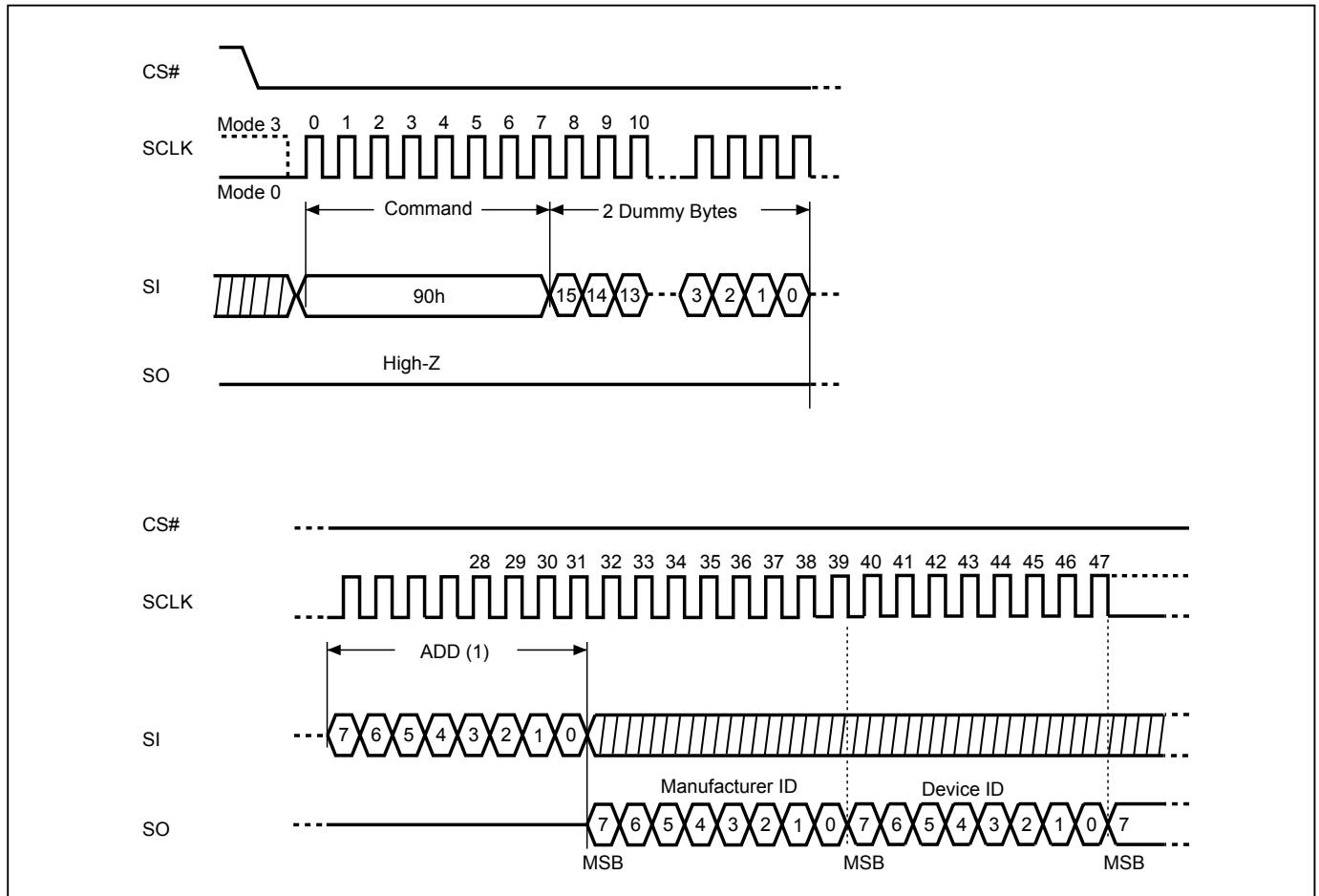


### 10-6. Read Electronic Manufacturer ID & Device ID (REMS)

The REMS instruction returns both the JEDEC assigned manufacturer ID and the device ID. The Device ID values are listed in "Table 6. ID Definitions".

The REMS instruction is initiated by driving the CS# pin low and sending the instruction code "90h" followed by two dummy bytes and one address byte (A7~A0). After which the manufacturer ID for Macronix (C2h) and the device ID are shifted out on the falling edge of SCLK with the most significant bit (MSB) first. If the address byte is 00h, the manufacturer ID will be output first, followed by the device ID. If the address byte is 01h, then the device ID will be output first, followed by the manufacturer ID. While CS# is low, the manufacturer and device IDs can be read continuously, alternating from one to the other. The instruction is completed by driving CS# high.

**Figure 10. Read Electronic Manufacturer & Device ID (REMS) Sequence**



**Notes:**

(1) ADD=00H will output the manufacturer's ID first and ADD=01H will output device ID first.

**10-7. ID Read**

User can execute this ID Read instruction to identify the Device ID and Manufacturer ID. The sequence of issuing RDID instruction is: CS# goes low→ sending RDID instruction code→24-bits ID data out on SO→ to end RDID operation can drive CS# to high at any time during data out.

After the command cycle, the device will immediately output data on the falling edge of SCLK. The manufacturer ID, memory type, and device ID data byte will be output continuously, until the CS# goes high.

While Program/Erase operation is in progress, it will not decode the RDID instruction, therefore there's no effect on the cycle of program/erase operation which is currently in progress. When CS# goes high, the device is at standby stage.

**Table 6. ID Definitions**

Command Type	MX25R8035F		
	RDID	Manufacturer ID	Memory type
C2		28	14
RES	Electronic ID		
	14		
REMS	Manufacturer ID	Device ID	
	C2	14	

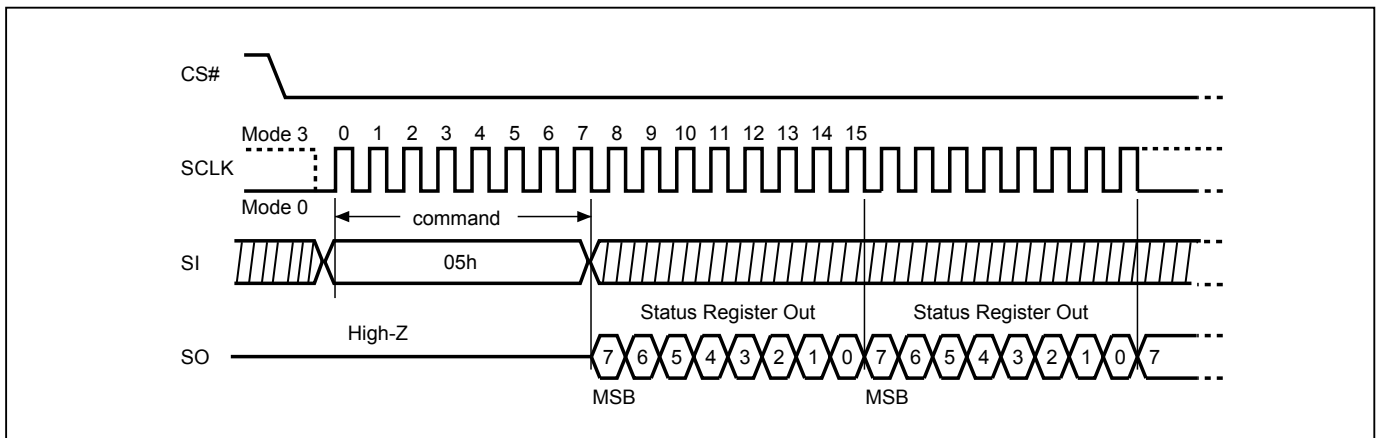
**10-8. Read Status Register (RDSR)**

The RDSR instruction is for reading Status Register Bits. The Read Status Register can be read at any time (even in program/erase/write status register condition). It is recommended to check the Write in Progress (WIP) bit before sending a new instruction when a program, erase, or write status register operation is in progress.

The sequence of issuing RDSR instruction is: CS# goes low→ sending RDSR instruction code→ Status Register data out on SO.

The SIO[3:1] are "don't care".

**Figure 11. Read Status Register (RDSR) Sequence**



For user to check if Program/Erase operation is finished or not, RDSR instruction flow are shown as follows:

**Figure 12. Program/Erase flow with read array data**

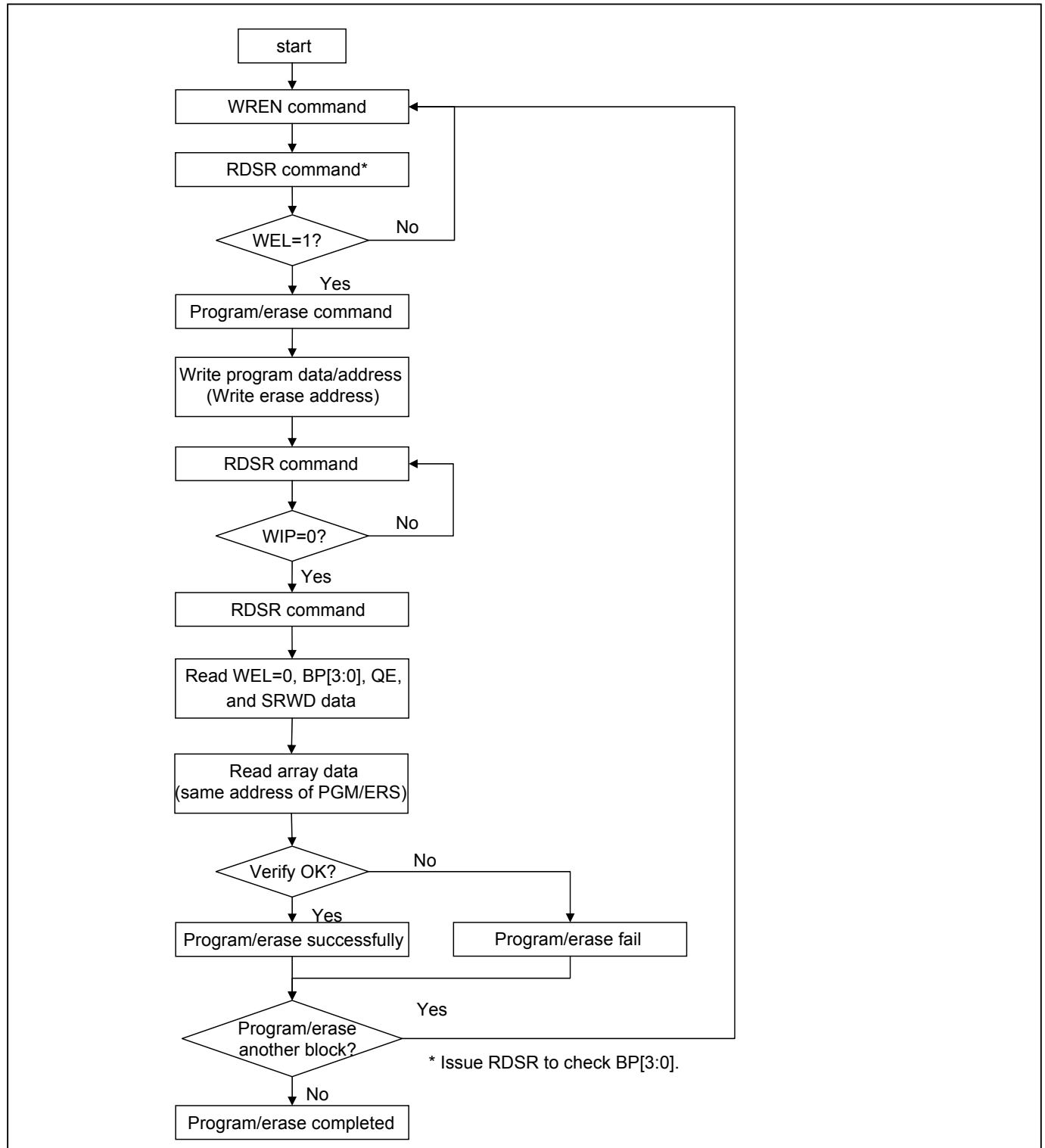
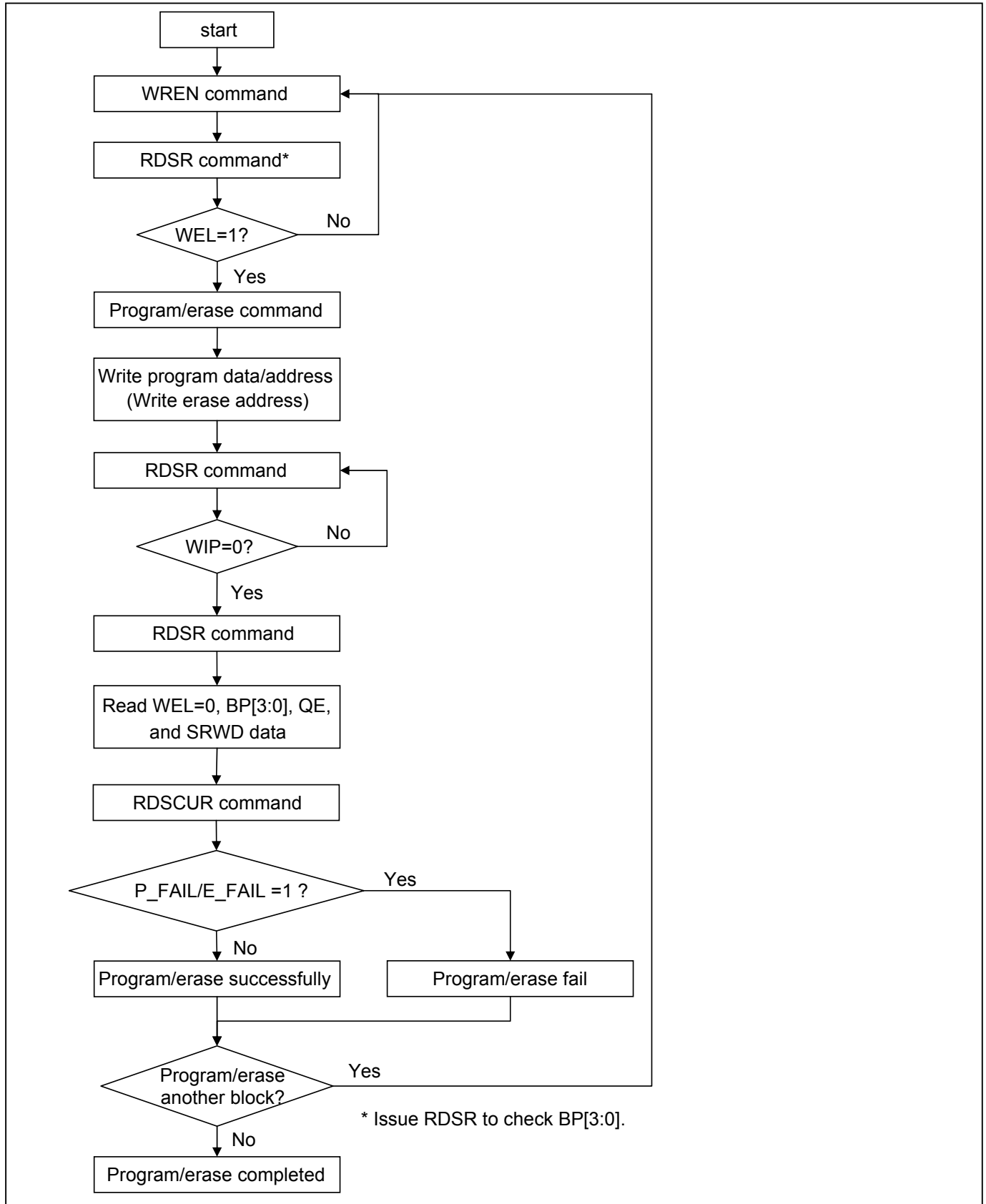


Figure 13. Program/Erase flow without read array data (read P\_FAIL/E\_FAIL flag)



## Status Register

The definition of the status register bits is as below:

**WIP bit.** The Write in Progress (WIP) bit, a volatile bit, indicates whether the device is busy in program/erase/write status register progress. When WIP bit sets to 1, which means the device is busy in program/erase/write status register progress. When WIP bit sets to 0, which means the device is not in progress of program/erase/write status register cycle.

**WEL bit.** The Write Enable Latch (WEL) bit is a volatile bit that is set to “1” by the WREN instruction. WEL needs to be set to “1” before the device can accept program and erase instructions, otherwise the program and erase instructions are ignored. WEL automatically clears to “0” when a program or erase operation completes. To ensure that both WIP and WEL are “0” and the device is ready for the next program or erase operation, it is recommended that WIP be confirmed to be “0” before checking that WEL is also “0”. If a program or erase instruction is applied to a protected memory area, the instruction will be ignored and WEL will clear to “0”.

**BP3, BP2, BP1, BP0 bits.** The Block Protect (BP3, BP2, BP1, BP0) bits, non-volatile bits, indicate the protected area (as defined in ["Table 2. Protected Area Sizes"](#)) of the device to against the program/erase instruction without hardware protection mode being set. To write the Block Protect (BP3, BP2, BP1, BP0) bits requires the Write Status Register (WRSR) instruction to be executed. Those bits define the protected area of the memory to against Page Program (PP), Sector Erase (SE), Block Erase (BE/BE32K) and Chip Erase (CE) instructions (only if Block Protect bits (BP3:BP0) set to 0, the CE instruction can be executed). The BP3, BP2, BP1, BP0 bits are "0" as default, which is un-protected.

**QE bit.** The Quad Enable (QE) bit, non-volatile bit, while it is "0" (factory default), it performs non-Quad and WP#, RESET#/HOLD# are enable. While QE is "1", it performs Quad I/O mode and WP#, RESET#/HOLD# are disabled. In the other word, if the system goes into four I/O mode (QE=1), the feature of HPM and RESET/HOLD will be disabled.

**SRWD bit.** The Status Register Write Disable (SRWD) bit, non-volatile bit, is operated together with Write Protection (WP#/SIO2) pin for providing hardware protection mode. The hardware protection mode requires SRWD sets to 1 and WP#/SIO2 pin signal is low stage. In the hardware protection mode, the Write Status Register (WRSR) instruction is no longer accepted for execution and the SRWD bit and Block Protect bits (BP3, BP2, BP1, BP0) are read only. The SRWD bit defaults to be "0".

## Status Register

bit7	bit6	bit5	bit4	bit3	bit2	bit1	bit0
SRWD (status register write protect)	QE (Quad Enable)	BP3 (level of protected block)	BP2 (level of protected block)	BP1 (level of protected block)	BP0 (level of protected block)	WEL (write enable latch)	WIP (write in progress bit)
1=status register write disabled 0=status register write enabled	1=Quad Enable 0=not Quad Enable	(note 1)	(note 1)	(note 1)	(note 1)	1=write enable 0=not write enable	1=write operation 0=not in write operation
Non-volatile bit	Non-volatile bit	Non-volatile bit	Non-volatile bit	Non-volatile bit	Non-volatile bit	volatile bit	volatile bit

Note 1: see the ["Table 2. Protected Area Sizes"](#).

### Configuration Register

The Configuration Register is able to change the default status of Flash memory. Flash memory will be configured after the CR bit is set.

#### TB bit

The Top/Bottom (TB) bit is a non-volatile OTP bit. The Top/Bottom (TB) bit is used to configure the Block Protect area by BP bit (BP3, BP2, BP1, BP0), starting from TOP or Bottom of the memory array. The TB bit is defaulted as “0”, which means Top area protect. When it is set as “1”, the protect area will change to Bottom area of the memory device. To write the TB bit requires the Write Status Register (WRSR) instruction to be executed.

#### L/H switch bit

The Low Power / High Performance bit is a volatile bit. User can change the value of L/H switch bit to keep Ultra Low Power mode or High Performance mode. Please check Ordering Information for the L/H Switch default support.

#### Configuration Register - 1

bit7	bit6	bit5	bit4	bit3	bit2	bit1	bit0
Reserved	DC (Dummy Cycle)	Reserved	Reserved	TB (top/bottom selected)	Reserved	Reserved	Reserved
x	2READ/4READ Dummy Cycle	x	x	0=Top area protect 1=Bottom area protect (Default=0)	x	x	x
x	Volatile bit	x	x	OTP	x	x	x

#### Configuration Register - 2

bit7	bit6	bit5	bit4	bit3	bit2	bit1	bit0
Reserved	Reserved	Reserved	Reserved	Reserved	Reserved	L/H Switch	Reserved
x	x	x	x	x	x	0 = Ultra Low power mode 1 = High performance mode	x
x	x	x	x	x	x	Volatile bit	x

#### Dummy Cycle Table

	DC	Numbers of Dummy Cycles
2READ	0 (default)	4
	1	8
4READ	0 (default)	6
	1	10

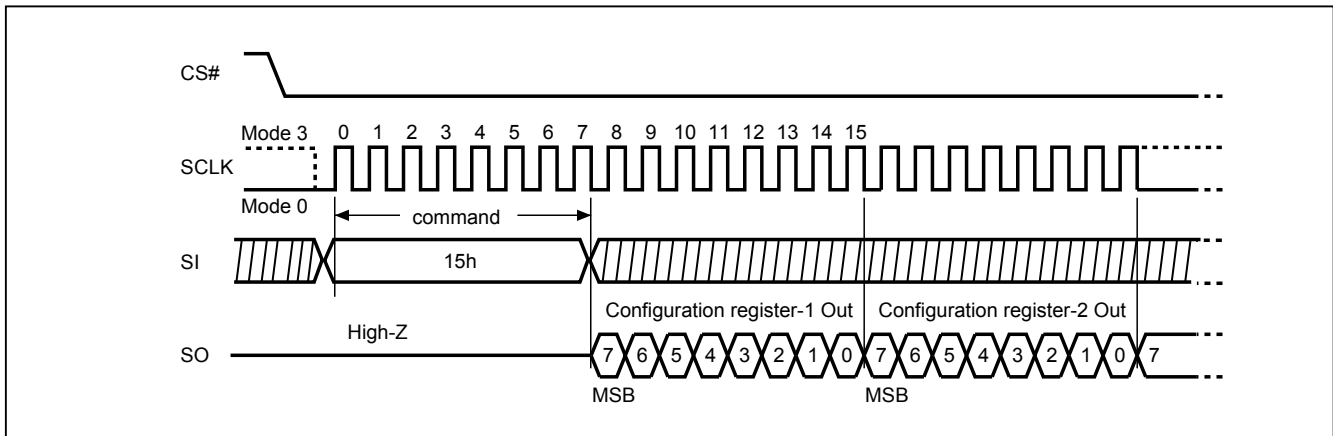
### 10-9. Read Configuration Register (RDCR)

The RDCR instruction is for reading Configuration Register Bits. The Read Configuration Register can be read at any time (even in program/erase/write configuration register condition). It is recommended to check the Write in Progress (WIP) bit before sending a new instruction when a program, erase, or write configuration register operation is in progress.

The sequence of issuing RDCR instruction is: CS# goes low→ sending RDCR instruction code→ Configuration Register data out on SO.

The SIO[3:1] are don't care.

**Figure 14. Read Configuration Register (RDCR) Sequence**





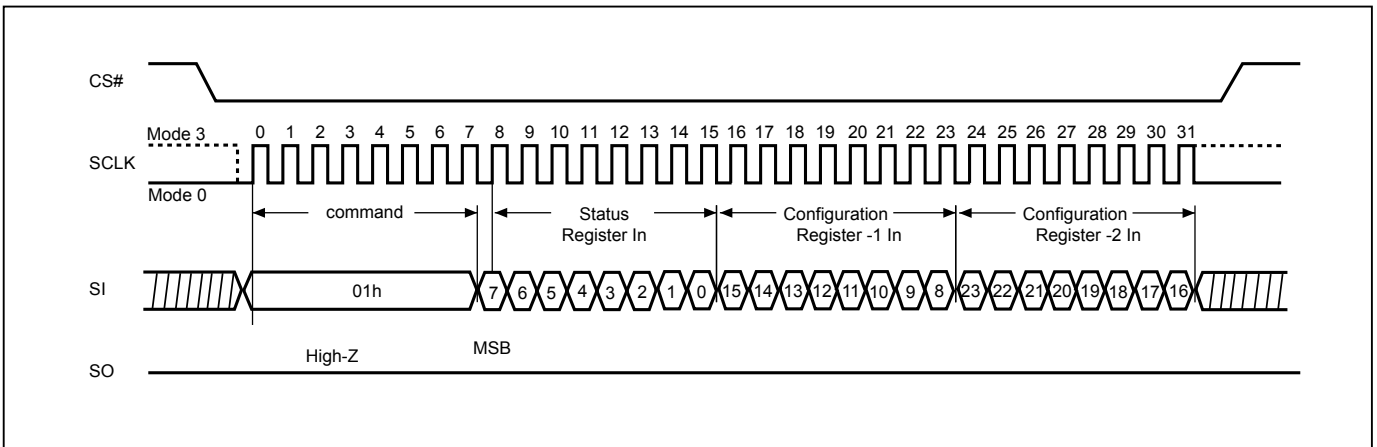
### 10-10. Write Status Register (WRSR)

The WRSR instruction is for changing the values of Status Register Bits and Configuration Register Bits. Before sending WRSR instruction, the Write Enable (WREN) instruction must be decoded and executed to set the Write Enable Latch (WEL) bit in advance. The WRSR instruction can change the value of Block Protect (BP3, BP2, BP1, BP0) bits to define the protected area of memory (as shown in "Table 2. Protected Area Sizes"). The WRSR also can set or reset the Quad enable (QE) bit and set or reset the Status Register Write Disable (SRWD) bit in accordance with Write Protection (WP#/SIO2) pin signal, but has no effect on bit1(WEL) and bit0 (WIP) of the status register. The WRSR instruction cannot be executed once the Hardware Protected Mode (HPM) is entered.

The sequence of issuing WRSR instruction is: CS# goes low→ sending WRSR instruction code→ Status Register data on SI→CS# goes high.

The CS# must go high exactly at the 8 bits, 16 bits or 24 bits data boundary; otherwise, the instruction will be rejected and not executed. The self-timed Write Status Register cycle time (tW) is initiated as soon as Chip Select (CS#) goes high. The Write in Progress (WIP) bit still can be checked during the Write Status Register cycle is in progress. The WIP sets 1 during the tW timing, and sets 0 when Write Status Register Cycle is completed, and the Write Enable Latch (WEL) bit is reset. Please note that there is another parameter, "Write Status Register cycle time for Mode Changing Switching (tWMS)", which is only for the self-timed of Mode Switching. For more detail please check "Table 17. AC Characteristics".

**Figure 15. Write Status Register (WRSR) Sequence**



**Software Protected Mode (SPM):**

- When SRWD bit=0, no matter WP#/SIO2 is low or high, the WREN instruction may set the WEL bit and can change the values of SRWD, BP3, BP2, BP1, BP0. The protected area, which is defined by BP3, BP2, BP1, BP0, is at software protected mode (SPM).
- When SRWD bit=1 and WP#/SIO2 is high, the WREN instruction may set the WEL bit can change the values of SRWD, BP3, BP2, BP1, BP0. The protected area, which is defined by BP3, BP2, BP1, BP0, is at software protected mode (SPM)

**Note:**

If SRWD bit=1 but WP#/SIO2 is low, it is impossible to write the Status Register even if the WEL bit has previously been set. It is rejected to write the Status Register and not be executed.

**Hardware Protected Mode (HPM):**

- When SRWD bit=1, and then WP#/SIO2 is low (or WP#/SIO2 is low before SRWD bit=1), it enters the hardware protected mode (HPM). The data of the protected area is protected by software protected mode by BP3, BP2, BP1, BP0 and hardware protected mode by the WP#/SIO2 to against data modification.

**Note:**

To exit the hardware protected mode requires WP#/SIO2 driving high once the hardware protected mode is entered. If the WP#/SIO2 pin is permanently connected to high, the hardware protected mode can never be entered; only can use software protected mode via BP3, BP2, BP1, BP0.

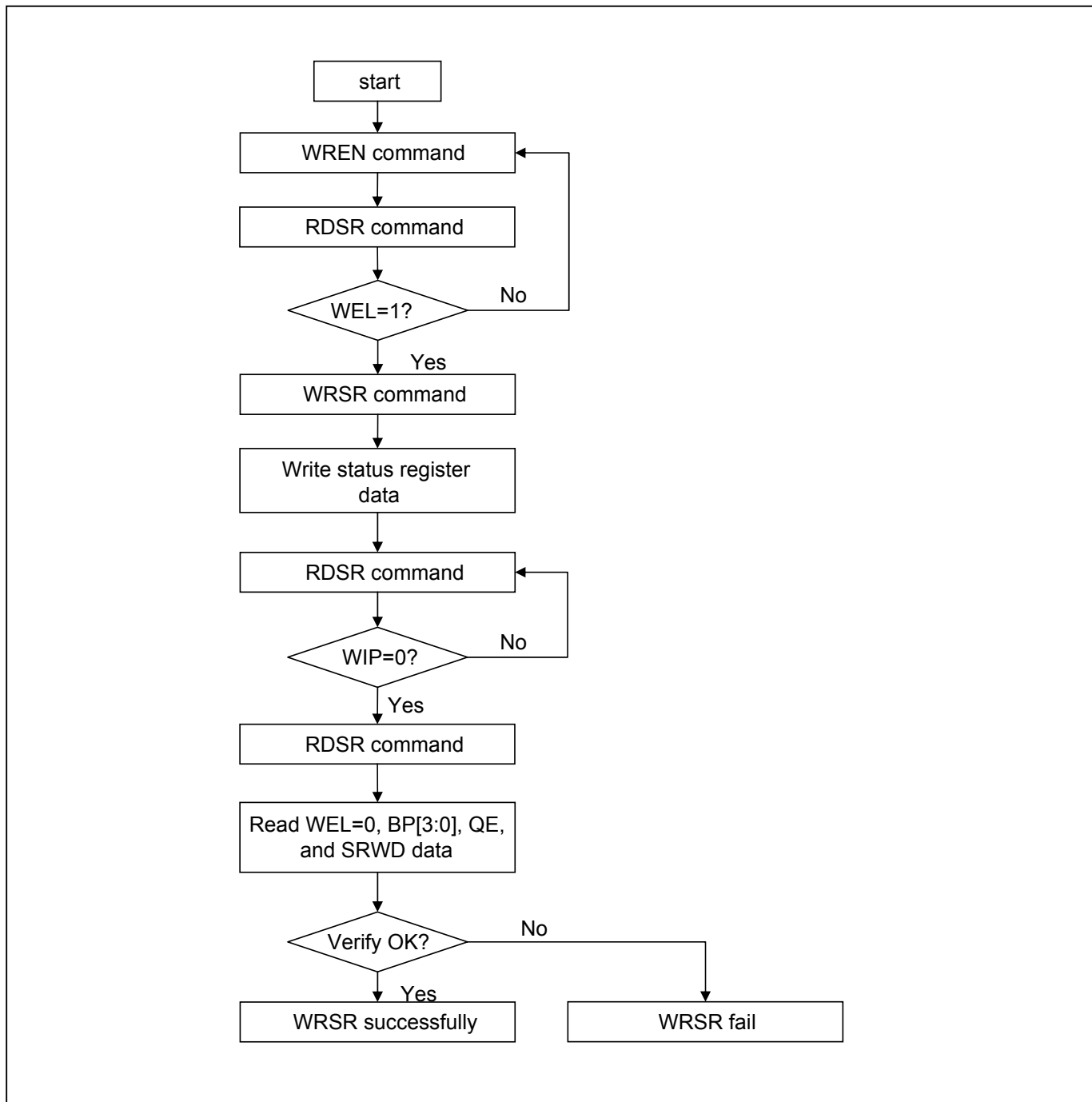
**Table 7. Protection Modes**

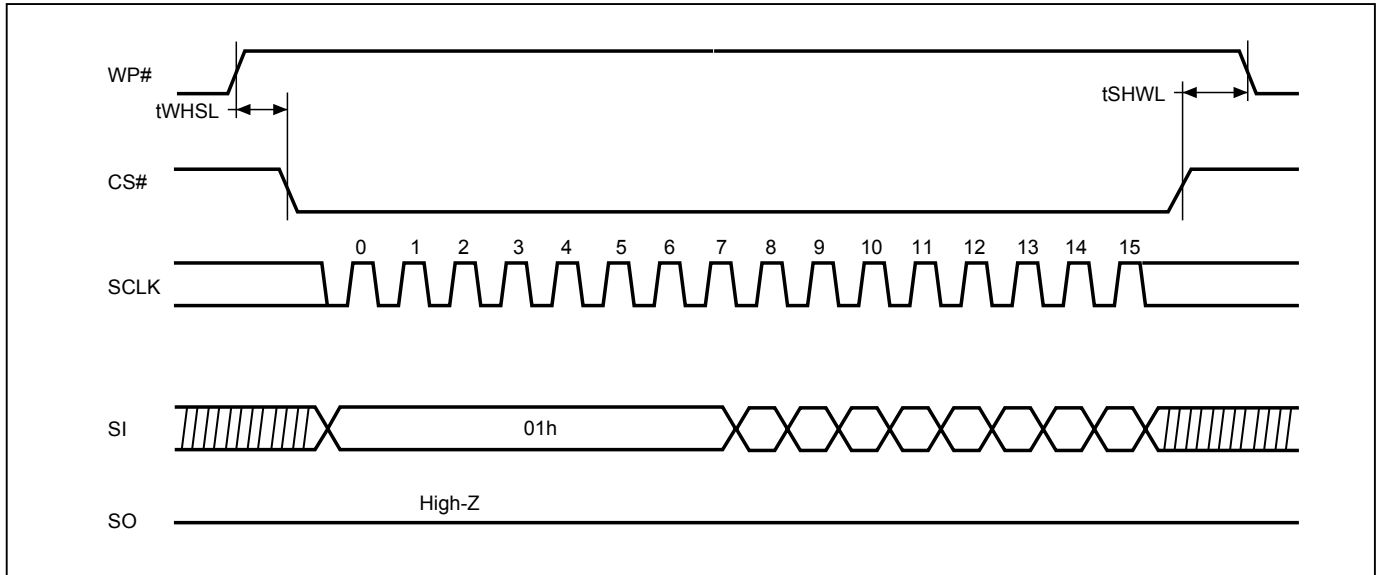
Mode	Status register condition	WP# and SRWD bit status	Memory
Software protection mode (SPM)	Status register can be written in (WEL bit is set to "1") and the SRWD, BP0-BP3 bits can be changed	WP#=1 and SRWD bit=0, or WP#=0 and SRWD bit=0, or WP#=1 and SRWD=1	The protected area cannot be program or erase.
Hardware protection mode (HPM)	The SRWD, BP0-BP3 of status register bits cannot be changed	WP#=0, SRWD bit=1	The protected area cannot be program or erase.

**Note:**

1. As defined by the values in the Block Protect (BP3, BP2, BP1, BP0) bits of the Status Register, as shown in ["Table 2. Protected Area Sizes"](#).

Figure 16. WRSR flow



**Figure 17. WP# Setup Timing and Hold Timing during WRSR when SRWD=1**

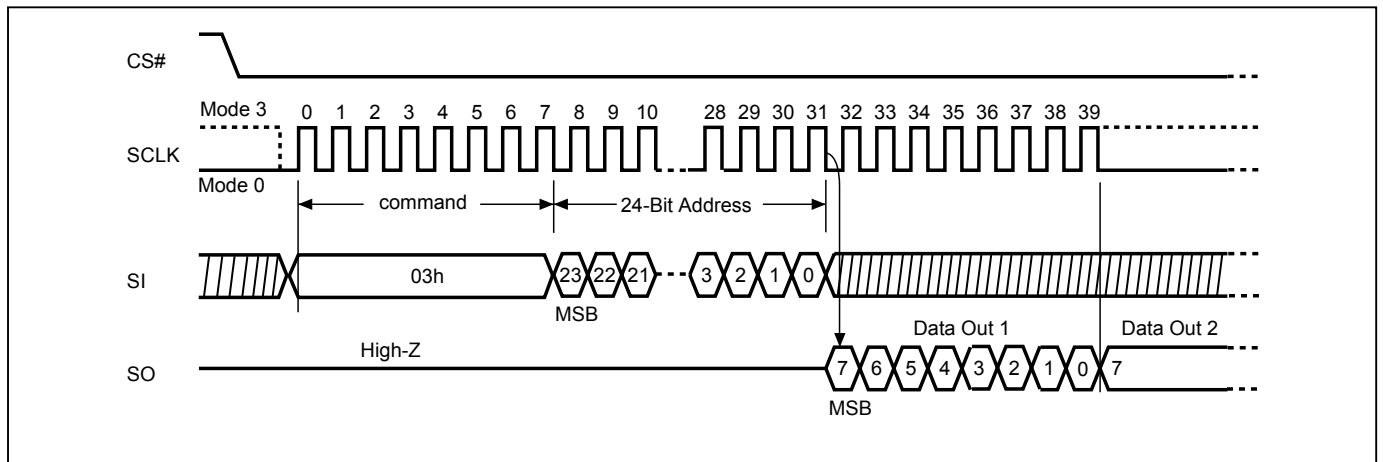
Note: WP# must be kept high until the embedded operation finish.

**10-11. Read Data Bytes (READ)**

The read instruction is for reading data out. The address is latched on rising edge of SCLK, and data shifts out on the falling edge of SCLK at a maximum frequency  $f_R$ . The first address byte can be at any location. The address is automatically increased to the next higher address after each byte data is shifted out, so the whole memory can be read out at a single READ instruction. The address counter rolls over to 0 when the highest address has been reached.

The sequence of issuing READ instruction is: CS# goes low→sending READ instruction code→ 3-byte address on SI→ data out on SO→to end READ operation can use CS# to high at any time during data out.

**Figure 18. Read Data Bytes (READ) Sequence**



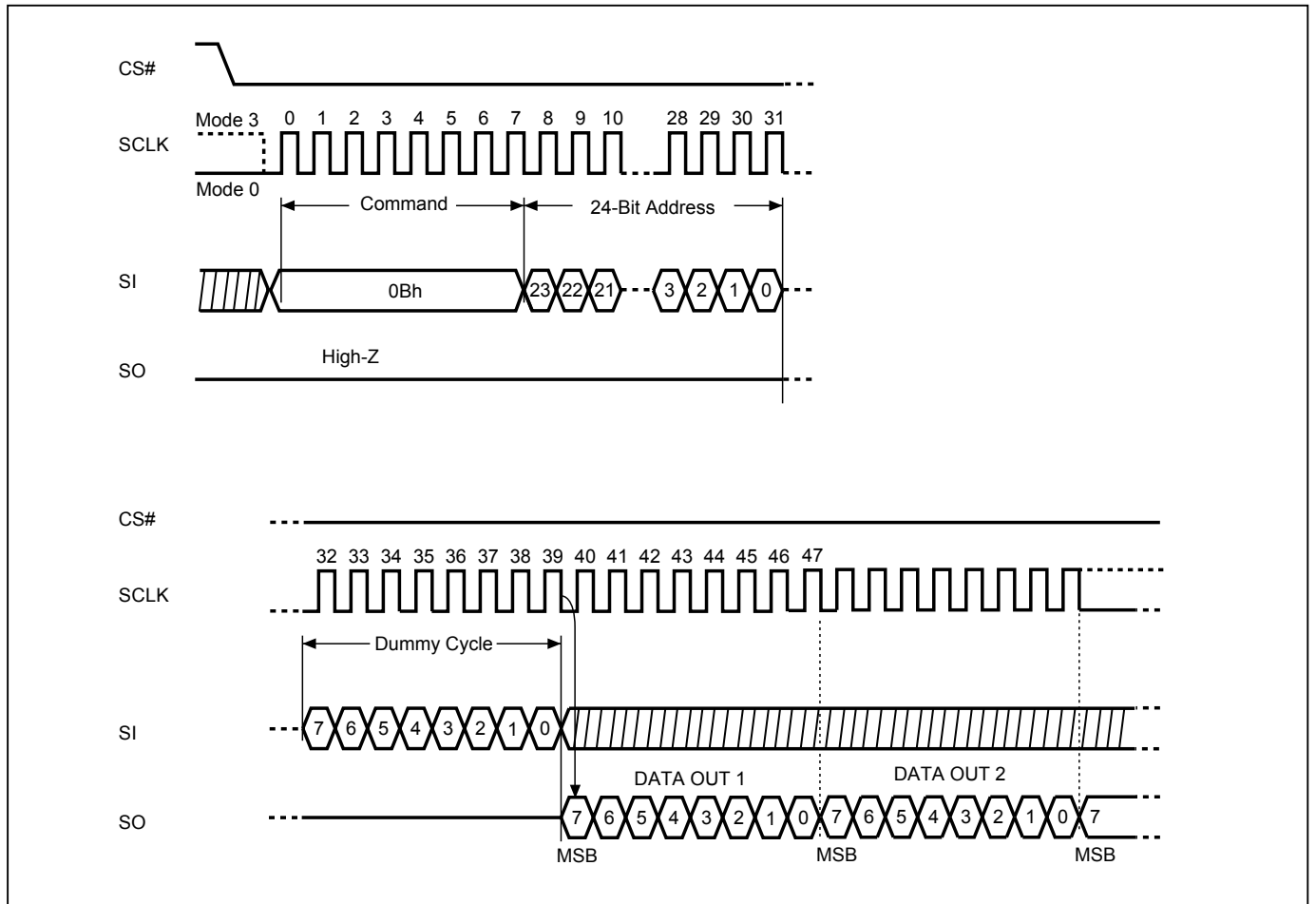
**10-12. Read Data Bytes at Higher Speed (FAST\_READ)**

The FAST\_READ instruction is for quickly reading data out. The address is latched on rising edge of SCLK, and data of each bit shifts out on the falling edge of SCLK at a maximum frequency  $f_C$ . The first address byte can be at any location. The address is automatically increased to the next higher address after each byte data is shifted out, so the whole memory can be read out at a single FAST\_READ instruction. The address counter rolls over to 0 when the highest address has been reached.

The sequence of issuing FAST\_READ instruction is: CS# goes low → sending FAST\_READ instruction code → 3-byte address on SI → 1-dummy byte (default) address on SI → data out on SO → to end FAST\_READ operation can use CS# to high at any time during data out.

While Program/Erase/Write Status Register cycle is in progress, FAST\_READ instruction is rejected without any impact on the Program/Erase/Write Status Register current cycle.

**Figure 19. Read at Higher Speed (FAST\_READ) Sequence**



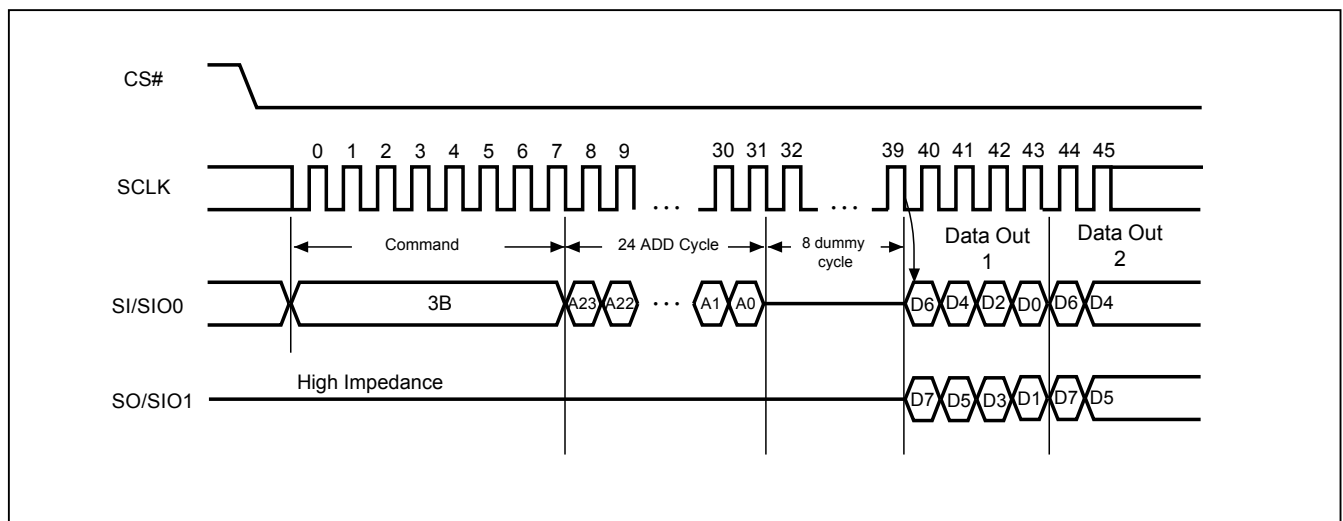
**10-13. Dual Read Mode (DREAD)**

The DREAD instruction enable double throughput of Serial NOR Flash in read mode. The address is latched on rising edge of SCLK, and data of every two bits (interleave on 2 I/O pins) shift out on the falling edge of SCLK at a maximum frequency fT. The first address byte can be at any location. The address is automatically increased to the next higher address after each byte data is shifted out, so the whole memory can be read out at a single DREAD instruction. The address counter rolls over to 0 when the highest address has been reached. Once writing DREAD instruction, the following data out will perform as 2-bit instead of previous 1-bit.

The sequence of issuing DREAD instruction is: CS# goes low → sending DREAD instruction → 3-byte address on SI → 8-bit dummy cycle → data out interleave on SIO1 & SIO0 → to end DREAD operation can use CS# to high at any time during data out.

While Program/Erase/Write Status Register cycle is in progress, DREAD instruction is rejected without any impact on the Program/Erase/Write Status Register current cycle.

**Figure 20. Dual Read Mode Sequence (Command 3B)**



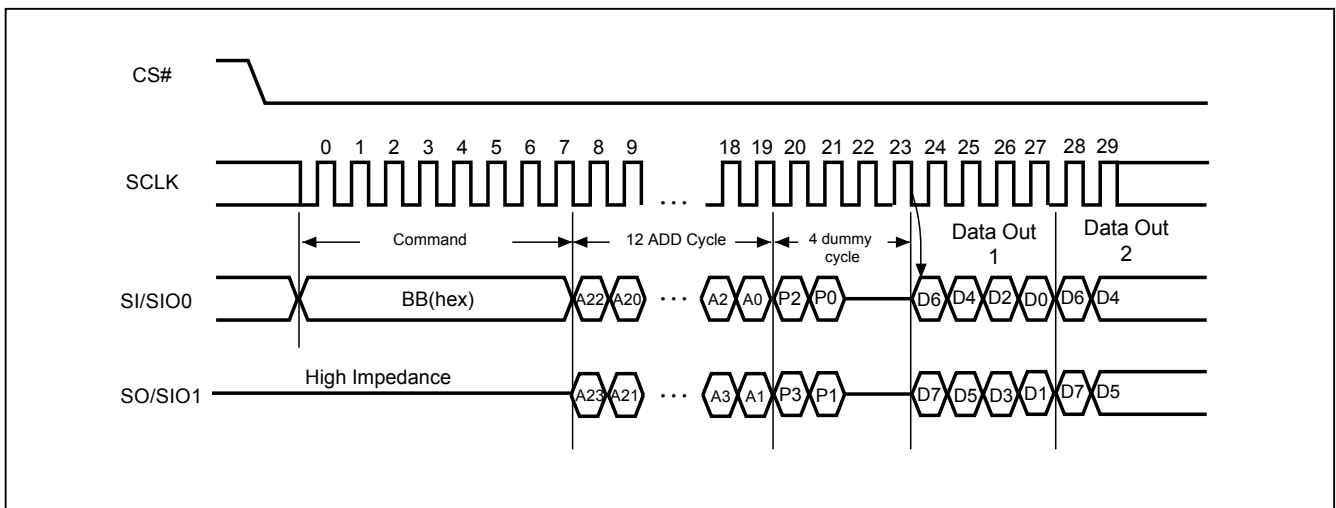
**10-14. 2 x I/O Read Mode (2READ)**

The 2READ instruction enables Double Transfer Rate of Serial NOR Flash in read mode. The address is latched on rising edge of SCLK, and data of every two bits (interleave on 2 I/O pins) shift out on the falling edge of SCLK at a maximum frequency  $f_T$ . The first address byte can be at any location. The address is automatically increased to the next higher address after each byte data is shifted out, so the whole memory can be read out at a single 2READ instruction. The address counter rolls over to 0 when the highest address has been reached. Once writing 2READ instruction, the following address/dummy/data out will perform as 2-bit instead of previous 1-bit.

The sequence of issuing 2READ instruction is: CS# goes low → sending 2READ instruction → 24-bit address interleave on SIO1 & SIO0 → 4-bit dummy cycle on SIO1 & SIO0 → data out interleave on SIO1 & SIO0 → to end 2READ operation can use CS# to high at any time during data out.

While Program/Erase/Write Status Register cycle is in progress, 2READ instruction is rejected without any impact on the Program/Erase/Write Status Register current cycle.

**Figure 21. 2 x I/O Read Mode Sequence (Command BB)**



**Note:** SI/SIO0 or SO/SIO1 should be kept "0h" or "Fh" in the first two dummy cycles. In other words, P2=P0 or P3=P1 is necessary.



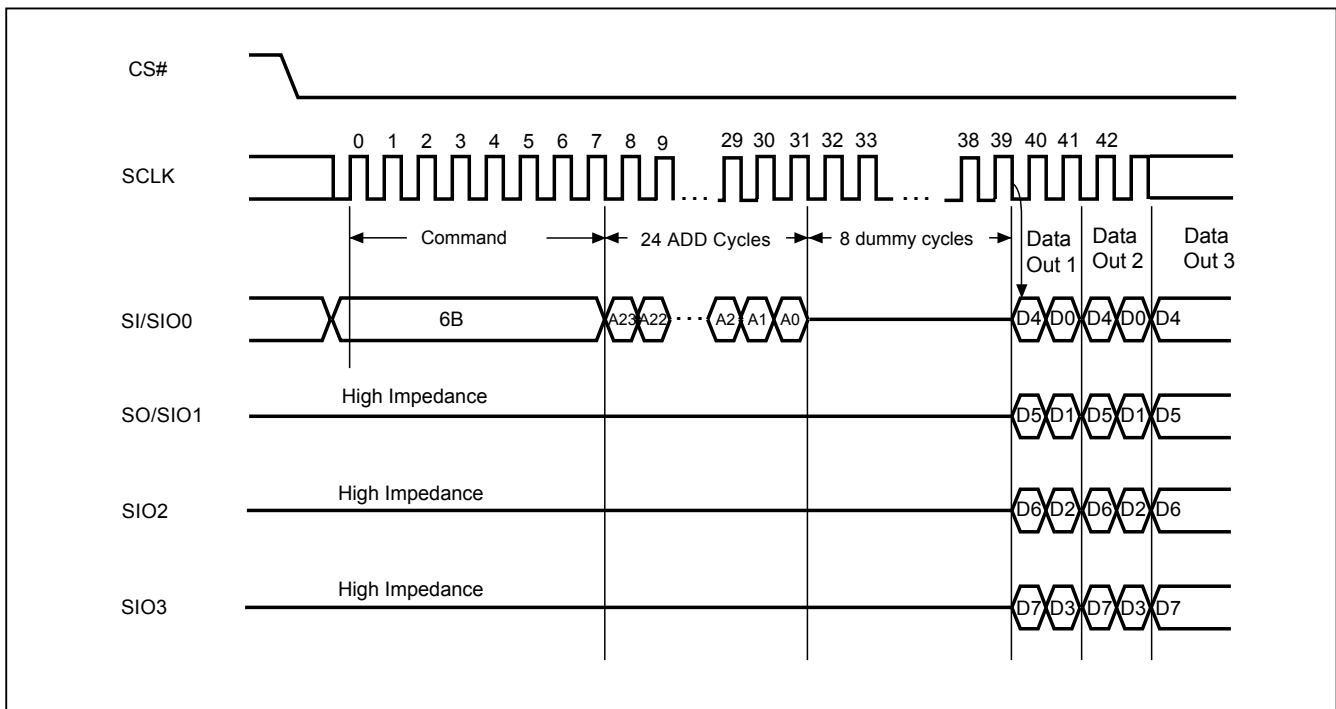
**10-15. Quad Read Mode (QREAD)**

The QREAD instruction enable quad throughput of Serial NOR Flash in read mode. A Quad Enable (QE) bit of status Register must be set to "1" before sending the QREAD instruction. The address is latched on rising edge of SCLK, and data of every four bits (interleave on 4 I/O pins) shift out on the falling edge of SCLK at a maximum frequency f<sub>Q</sub>. The first address byte can be at any location. The address is automatically increased to the next higher address after each byte data is shifted out, so the whole memory can be read out at a single QREAD instruction. The address counter rolls over to 0 when the highest address has been reached. Once writing QREAD instruction, the following data out will perform as 4-bit instead of previous 1-bit.

The sequence of issuing QREAD instruction is: CS# goes low → sending QREAD instruction → 3-byte address on SI → 8-bit dummy cycle → data out interleave on SIO3, SIO2, SIO1 & SIO0 → to end QREAD operation can use CS# to high at any time during data out.

While Program/Erase/Write Status Register cycle is in progress, QREAD instruction is rejected without any impact on the Program/Erase/Write Status Register current cycle.

**Figure 22. Quad Read Mode Sequence (Command 6B)**



**10-16. 4 x I/O Read Mode (4READ)**

The 4READ instruction enable quad throughput of Serial NOR Flash in read mode. A Quad Enable (QE) bit of status Register must be set to "1" before sending the 4READ instruction. The address is latched on rising edge of SCLK, and data of every four bits (interleave on 4 I/O pins) shift out on the falling edge of SCLK at a maximum frequency fQ. The first address byte can be at any location. The address is automatically increased to the next higher address after each byte data is shifted out, so the whole memory can be read out at a single 4READ instruction. The address counter rolls over to 0 when the highest address has been reached. Once writing 4READ instruction, the following address/dummy/data out will perform as 4-bit instead of previous 1-bit.

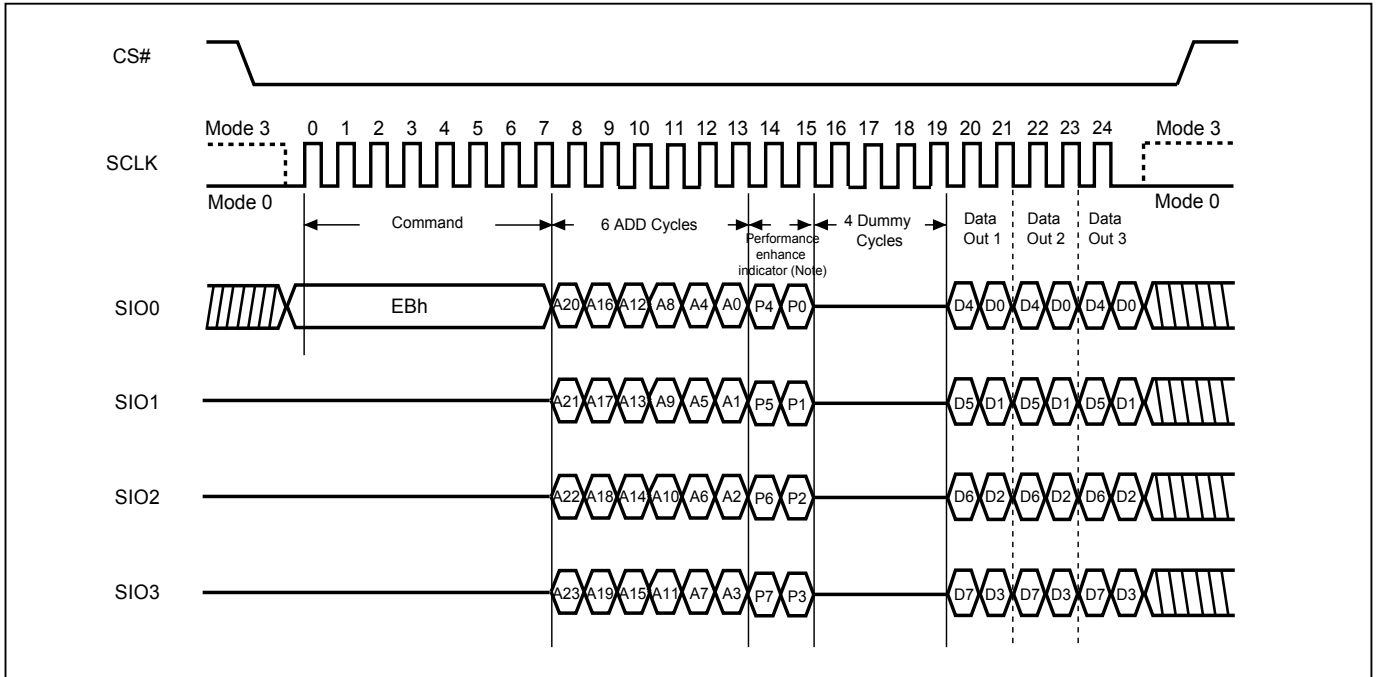
The sequence of issuing 4READ instruction is: CS# goes low→ sending 4READ instruction→ 24-bit address interleave on SIO3, SIO2, SIO1 & SIO0→2+4 dummy cycles→data out interleave on SIO3, SIO2, SIO1 & SIO0→ to end 4READ operation can use CS# to high at any time during data out.

Another sequence of issuing 4READ instruction especially useful in random access is: CS# goes low→sending 4READ instruction→3-bytes address interleave on SIO3, SIO2, SIO1 & SIO0 →performance enhance toggling bit P[7:0]→ 4 dummy cycles →data out still CS# goes high → CS# goes low (reduce 4 Read instruction) →24-bit random access address.

In the performance-enhancing mode, P[7:4] must be toggling with P[3:0]; likewise P[7:0]=A5h, 5Ah, F0h or 0Fh can make this mode continue and reduce the next 4READ instruction. Once P[7:4] is no longer toggling with P[3:0]; likewise P[7:0]=FFh, 00h, AAh or 55h and afterwards CS# is raised and then lowered, the system then will escape from performance enhance mode and return to normal operation.

While Program/Erase/Write Status Register cycle is in progress, 4READ instruction is rejected without any impact on the Program/Erase/Write Status Register current cycle.

**Figure 23. 4 x I/O Read Mode Sequence**



**Note:**

1. Hi-impedance is inhibited for the two clock cycles.
2. P7#P3, P6#P2, P5#P1 & P4#P0 (Toggling) is inhibited.

### 10-17. Burst Read

This device supports Burst Read.

To set the Burst length, following command operation is required

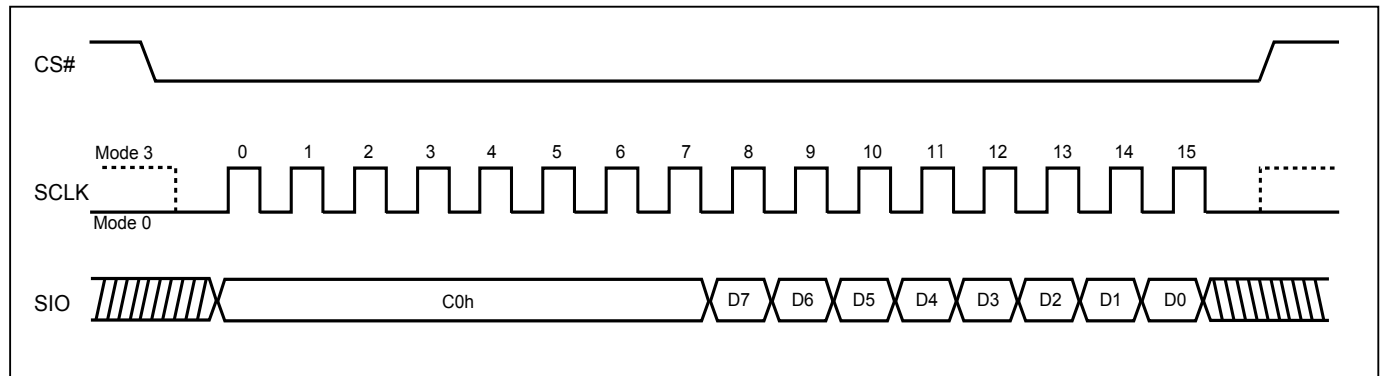
Issuing command: “C0h” in the first Byte (8-clocks), following 4 clocks defining wrap around enable with “0h” and disable with “1h”.

Next 4 clocks is to define wrap around depth. Definition as following table:

Data	Wrap Around	Wrap Depth
00h	Yes	8-byte
01h	Yes	16-byte
02h	Yes	32-byte
03h	Yes	64-byte
1xh	No	X

The wrap around unit is defined within the 256Byte page, with random initial address. It’s defined as “wrap-around mode disable” for the default state of the device. To exit wrap around, it is required to issue another “C0h” command in which data=‘1xh’. Otherwise, wrap around status will be retained until power down or reset command. To change wrap around depth, it is required to issue another “C0h” command in which data=“0xh”. “EBh” supports wrap around feature after wrap around enable. The device is default without Burst read.

**Figure 24. Burst Read**



#### **10-18. Performance Enhance Mode**

The device could waive the command cycle bits if the two cycle bits after address cycle toggles.

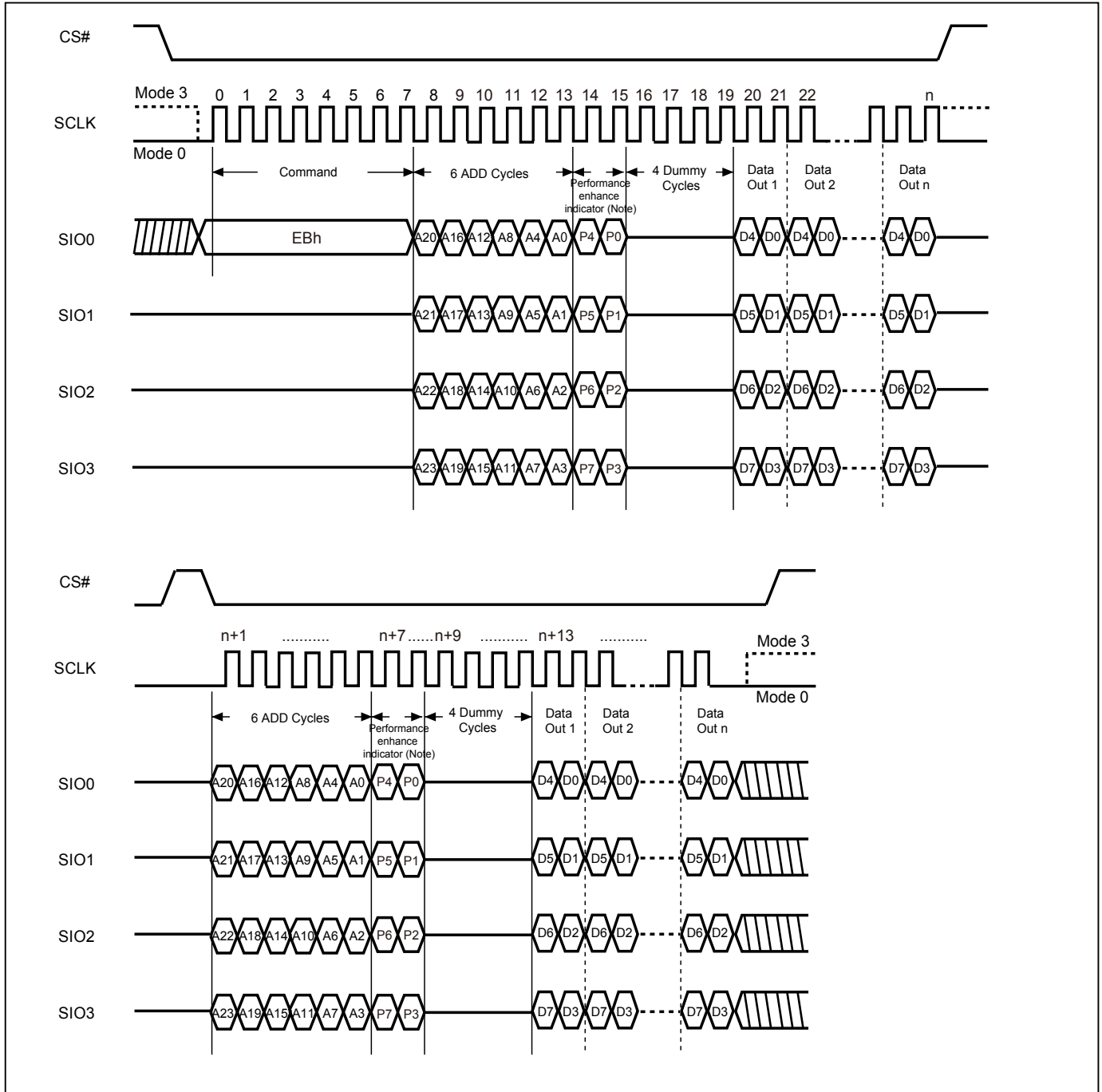
“EBh” command supports enhance mode. The performance enhance mode is not supported in dual I/O mode.

After entering enhance mode, following CS# go high, the device will stay in the read mode and treat CS# go low of the first clock as address instead of command cycle.

To exit enhance mode, a new fast read command whose first two dummy cycles is not toggle then exit. Or issue “FFh” command to exit enhance mode.

Notice: Performance Enhance can only be operated in high performance mode.

**Figure 25. 4 x I/O Read enhance performance Mode Sequence**



**Note:**

1. Performance enhance mode, if  $P7 \neq P3$  &  $P6 \neq P2$  &  $P5 \neq P1$  &  $P4 \neq P0$  (Toggling), ex: A5, 5A, 0F, if not using performance enhance recommend to keep 1 or 0 in performance enhance indicator.
2. Reset the performance enhance mode, if  $P7 = P3$  or  $P6 = P2$  or  $P5 = P1$  or  $P4 = P0$ , ex: AA, 00, FF

### 10-19. Sector Erase (SE)

The Sector Erase (SE) instruction is for erasing the data of the chosen sector to be "1". The instruction is used for any 4K-byte sector. A Write Enable (WREN) instruction must execute to set the Write Enable Latch (WEL) bit before sending the Sector Erase (SE). Any address of the sector (see "Table 4. Memory Organization") is a valid address for Sector Erase (SE) instruction. The CS# must go high exactly at the byte boundary (the latest eighth of address byte been latched-in); otherwise, the instruction will be rejected and not executed.

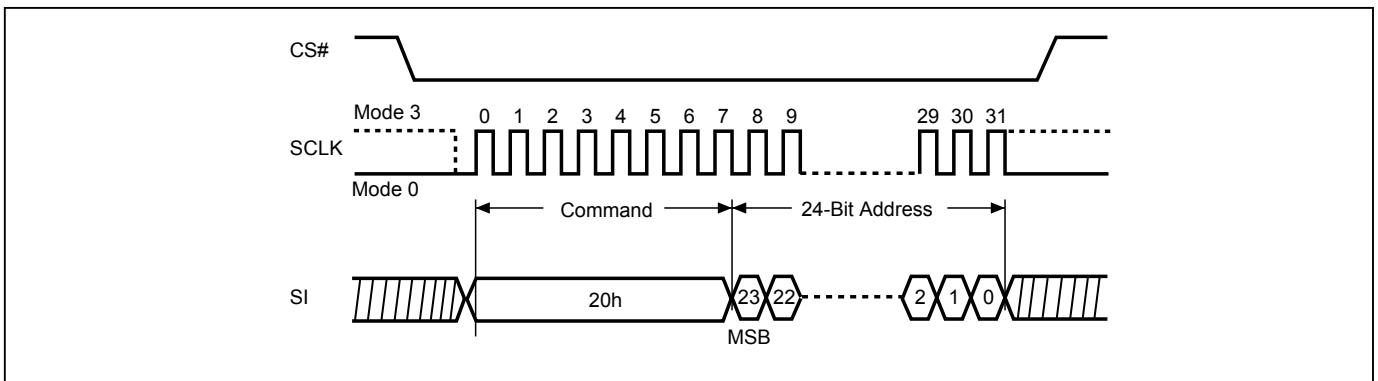
Address bits [Am-A12] (Am is the most significant address) select the sector address.

The sequence of issuing SE instruction is: CS# goes low → sending SE instruction code → 3-byte address on SI → CS# goes high.

The SIO[3:1] are "don't care".

The self-timed Sector Erase Cycle time (tSE) is initiated as soon as Chip Select (CS#) goes high. The Write in Progress (WIP) bit still can be checked during the Sector Erase cycle is in progress. The WIP sets 1 during the tSE timing, and sets 0 when Sector Erase Cycle is completed, and the Write Enable Latch (WEL) bit is reset. If the sector is protected by BP3, BP2, BP1, BP0 bits, the Sector Erase (SE) instruction will not be executed on the sector.

**Figure 26. Sector Erase (SE) Sequence**



**10-20. Block Erase (BE32K)**

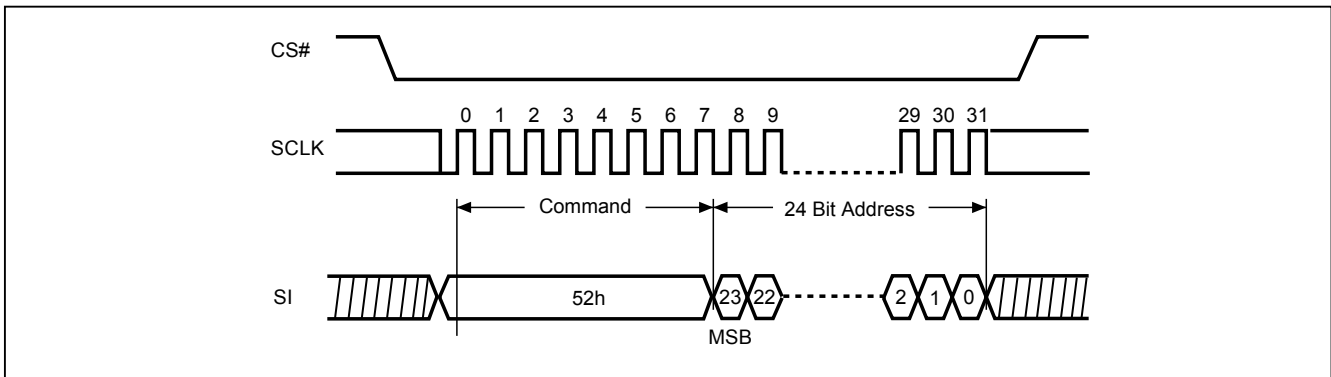
The Block Erase (BE32K) instruction is for erasing the data of the chosen block to be "1". The instruction is used for 32K-byte block erase operation. A Write Enable (WREN) instruction must be executed to set the Write Enable Latch (WEL) bit before sending the Block Erase (BE32K). Any address of the block (see "Table 4. Memory Organization") is a valid address for Block Erase (BE32K) instruction. The CS# must go high exactly at the byte boundary (the least significant bit of address byte has been latched-in); otherwise, the instruction will be rejected and not executed.

The sequence of issuing BE32K instruction is: CS# goes low → sending BE32K instruction code → 3-byte address on SI → CS# goes high.

The SIO[3:1] are don't care.

The self-timed Block Erase Cycle time (tBE32K) is initiated as soon as Chip Select (CS#) goes high. The Write in Progress (WIP) bit still can be checked while the Block Erase cycle is in progress. The WIP sets during the tBE32K timing, and clears when Block Erase Cycle is completed, and the Write Enable Latch (WEL) bit is cleared. If the block is protected by BP3~0, the array data will be protected (no change) and the WEL bit still be reset.

**Figure 27. Block Erase 32KB (BE32K) Sequence (Command 52)**





### 10-21. Block Erase (BE)

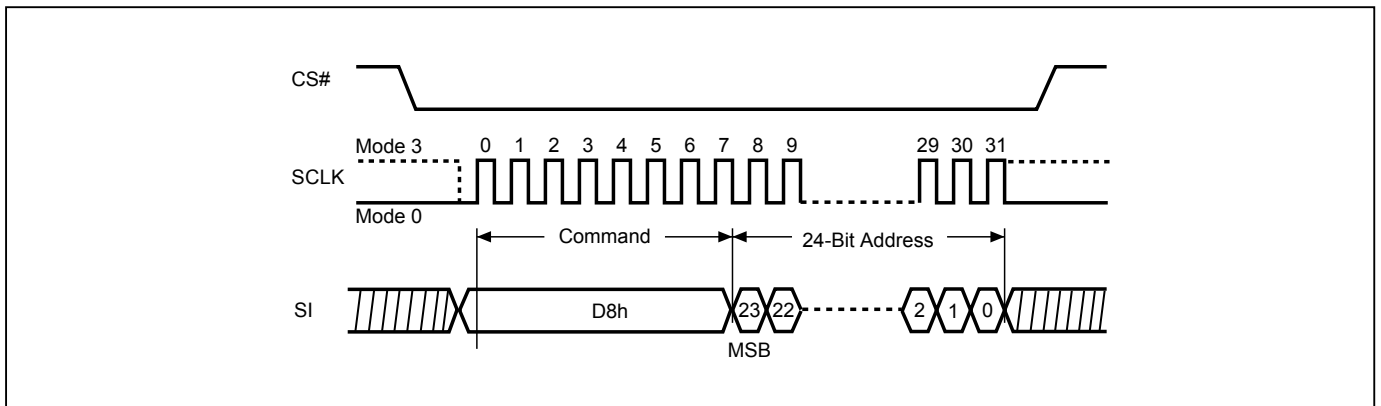
The Block Erase (BE) instruction is for erasing the data of the chosen block to be "1". The instruction is used for 64K-byte block erase operation. A Write Enable (WREN) instruction must execute to set the Write Enable Latch (WEL) bit before sending the Block Erase (BE). Any address of the block (Please refer to "[Table 4. Memory Organization](#)") is a valid address for Block Erase (BE) instruction. The CS# must go high exactly at the byte boundary (the latest eighth of address byte been latched-in); otherwise, the instruction will be rejected and not executed.

The sequence of issuing BE instruction is: CS# goes low → sending BE instruction code → 3-byte address on SI → CS# goes high.

The SIO[3:1] are "don't care".

The self-timed Block Erase Cycle time (tBE) is initiated as soon as Chip Select (CS#) goes high. The Write in Progress (WIP) bit still can be checked during the Block Erase cycle is in progress. The WIP sets 1 during the tBE timing, and sets 0 when Block Erase Cycle is completed, and the Write Enable Latch (WEL) bit is reset. If the block is protected by BP3, BP2, BP1, BP0 bits, the Block Erase (BE) instruction will not be executed on the block.

**Figure 28. Block Erase (BE) Sequence**



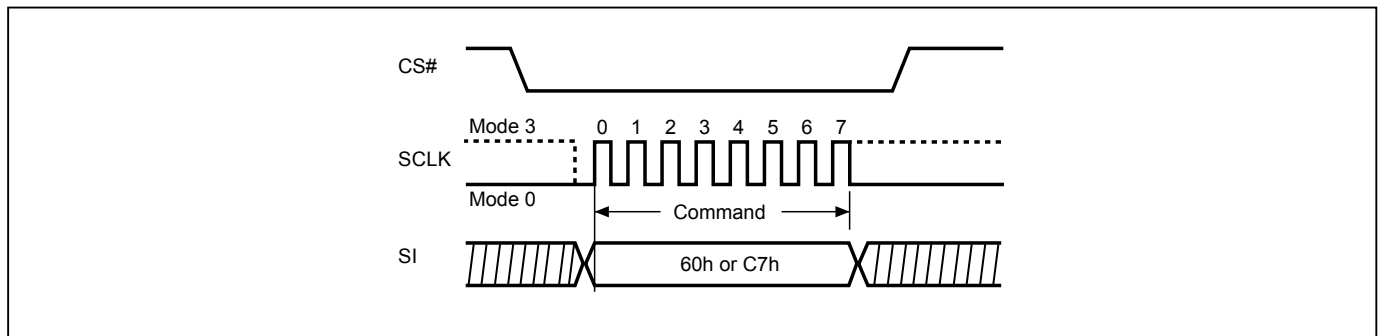
**10-22. Chip Erase (CE)**

The Chip Erase (CE) instruction is for erasing the data of the whole chip to be "1". A Write Enable (WREN) instruction must execute to set the Write Enable Latch (WEL) bit before sending the Chip Erase (CE). The CS# must go high exactly at the byte boundary, otherwise the instruction will be rejected and not executed.

The sequence of issuing CE instruction is: CS# goes low→sending CE instruction code→CS# goes high.

The SIO[3:1] are "don't care".

The self-timed Chip Erase Cycle time ( $t_{CE}$ ) is initiated as soon as Chip Select (CS#) goes high. The Write in Progress (WIP) bit still can be checked during the Chip Erase cycle is in progress. The WIP sets 1 during the  $t_{CE}$  timing, and sets 0 when Chip Erase Cycle is completed, and the Write Enable Latch (WEL) bit is reset. If the chip is protected by BP3, BP2, BP1, BP0 bits, the Chip Erase (CE) instruction will not be executed. It will be only executed when BP3, BP2, BP1, BP0 all set to "0".

**Figure 29. Chip Erase (CE) Sequence**

**10-23. Page Program (PP)**

The Page Program (PP) instruction is for programming the memory to be "0". A Write Enable (WREN) instruction must be executed to set the Write Enable Latch (WEL) bit before sending the Page Program (PP). The device programs only the last 256 data bytes sent to the device. The last address byte (the 8 least significant address bits, A7-A0) should be set to 0 for 256 bytes page program. If A7-A0 are not all zero, transmitted data that exceed page length are programmed from the starting address (24-bit address that last 8 bit are all 0) of currently selected page. If the data bytes sent to the device exceeds 256, the last 256 data byte is programmed at the request page and previous data will be disregarded. If the data bytes sent to the device has not exceeded 256, the data will be programmed at the request address of the page. There will be no effort on the other data bytes of the same page.

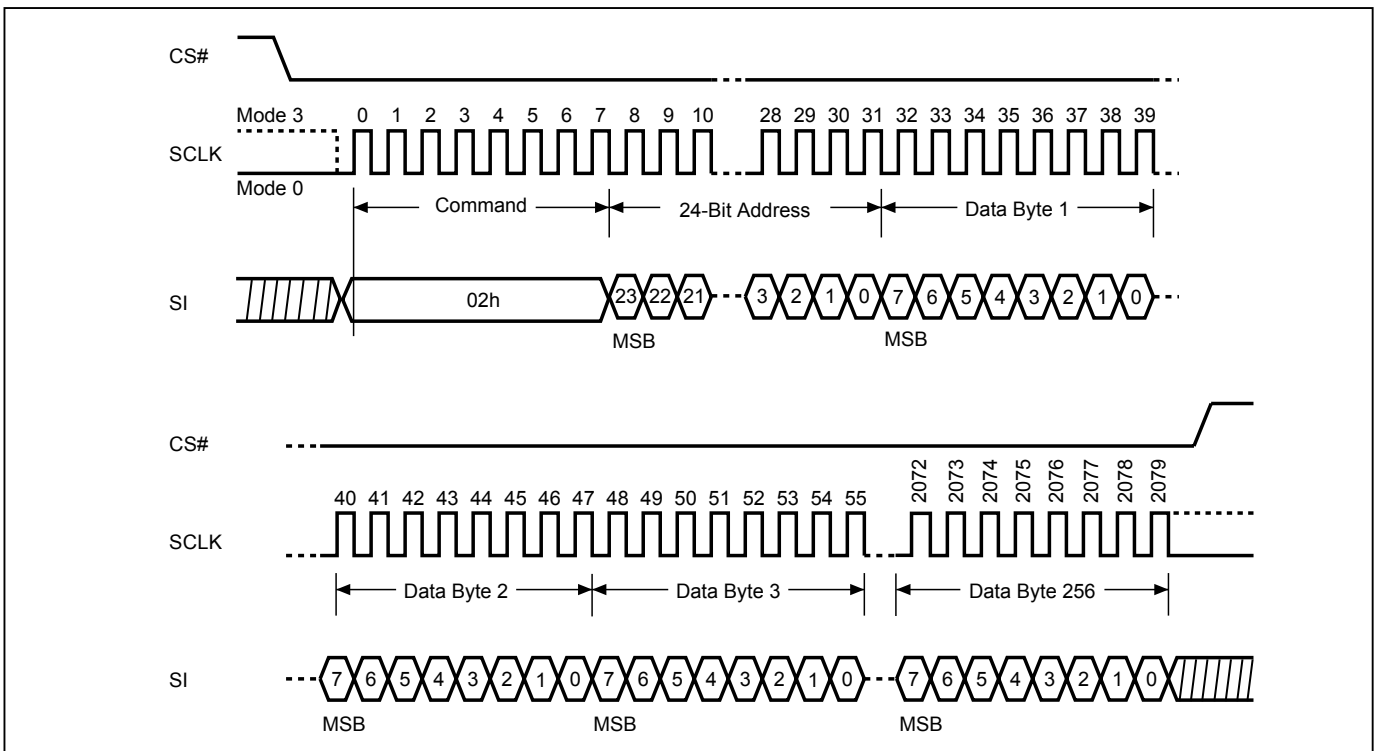
The sequence of issuing PP instruction is: CS# goes low → sending PP instruction code → 3-byte address on SI → at least 1-byte on data on SI → CS# goes high.

The CS# must be kept low during the whole Page Program cycle; The CS# must go high exactly at the byte boundary (the latest eighth bit of data being latched in), otherwise the instruction will be rejected and will not be executed.

The self-timed Page Program Cycle time (t<sub>PP</sub>) is initiated as soon as Chip Select (CS#) goes high. The Write in Progress (WIP) bit still can be checked during the Page Program cycle is in progress. The WIP sets 1 during the t<sub>PP</sub> timing, and sets 0 when Page Program Cycle is completed, and the Write Enable Latch (WEL) bit is reset. If the page is protected by BP3, BP2, BP1, BP0 bits, the Page Program (PP) instruction will not be executed.

The SIO[3:1] are "don't care".

**Figure 30. Page Program (PP) Sequence**



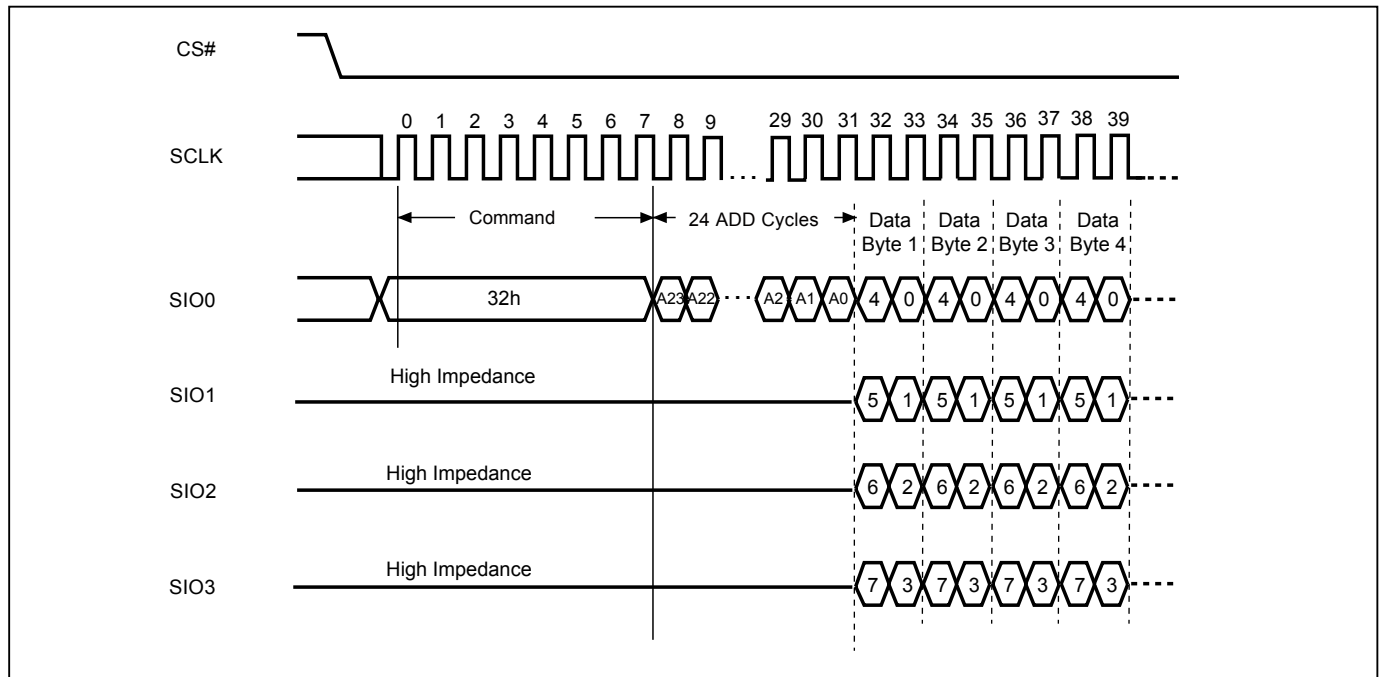
**10-24. Quad Input Page Program (QPP)**

The Quad Input Page Program instruction is for programming the memory to be "0". A Write Enable (WREN) instruction must be executed to set the Write Enable Latch (WEL) bit and Quad Enable (QE) bit must be set to "1" before sending the Quad Input Page Program.

The Quad Input Page Programming takes four pins: SIO0, SIO1, SIO2, and SIO3 as data input, which can improve programmer performance and the effectiveness of application. The other function descriptions are as same as standard page program.

The sequence of issuing Quad Input Page Program instruction is: CS# goes low→ sending Quad Input Page Program (32h) instruction code→ 3-byte address on SIO0→ at least 1-byte on data on SIO[3:0]→CS# goes high.

**Figure 31. Quad Input Page Program Sequence**

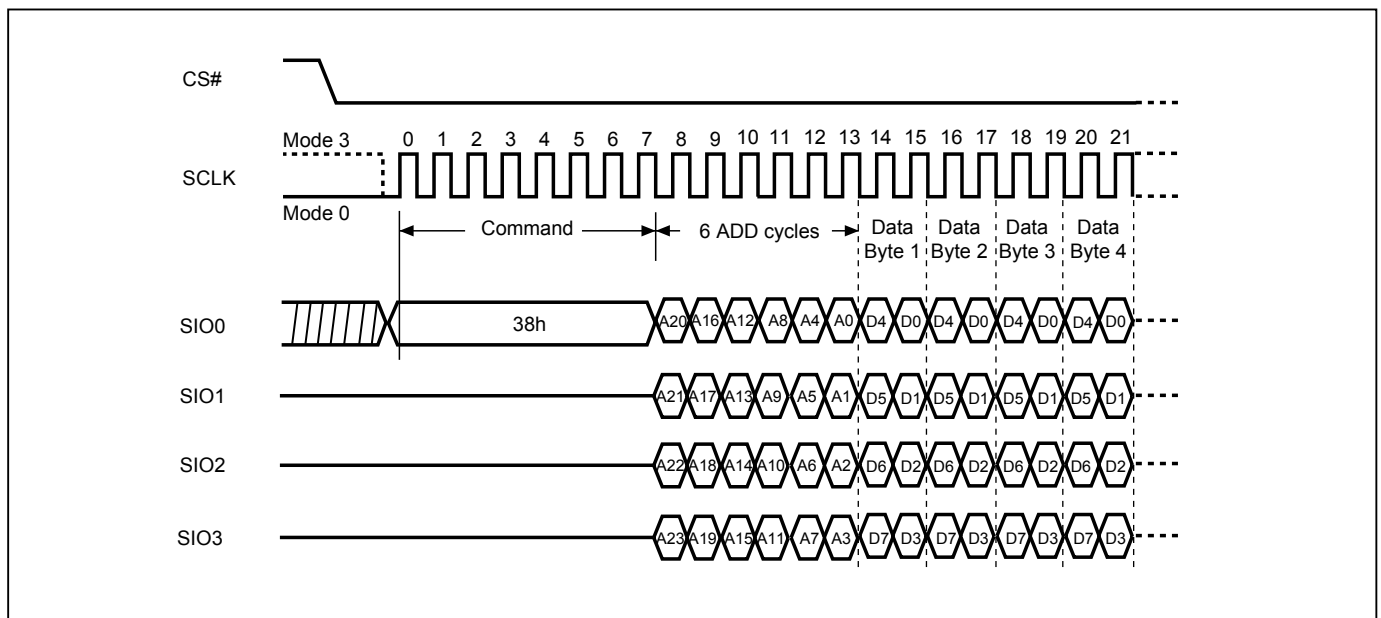


**10-25. 4 x I/O Page Program (4PP)**

The Quad Page Program (4PP) instruction is for programming the memory to be "0". A Write Enable (WREN) instruction must execute to set the Write Enable Latch (WEL) bit and Quad Enable (QE) bit must be set to "1" before sending the Quad Page Program (4PP). The Quad Page Programming takes four pins: SIO0, SIO1, SIO2, and SIO3 as address and data input, which can improve programmer performance and the effectiveness of application. The 4PP operation frequency supports as fast as f4PP. The other function descriptions are as same as standard page program.

The sequence of issuing 4PP instruction is: CS# goes low→ sending 4PP instruction code→ 3-byte address on SIO[3:0]→ at least 1-byte on data on SIO[3:0]→CS# goes high.

**Figure 32. 4 x I/O Page Program (4PP) Sequence**



**10-26. Deep Power-down (DP)**

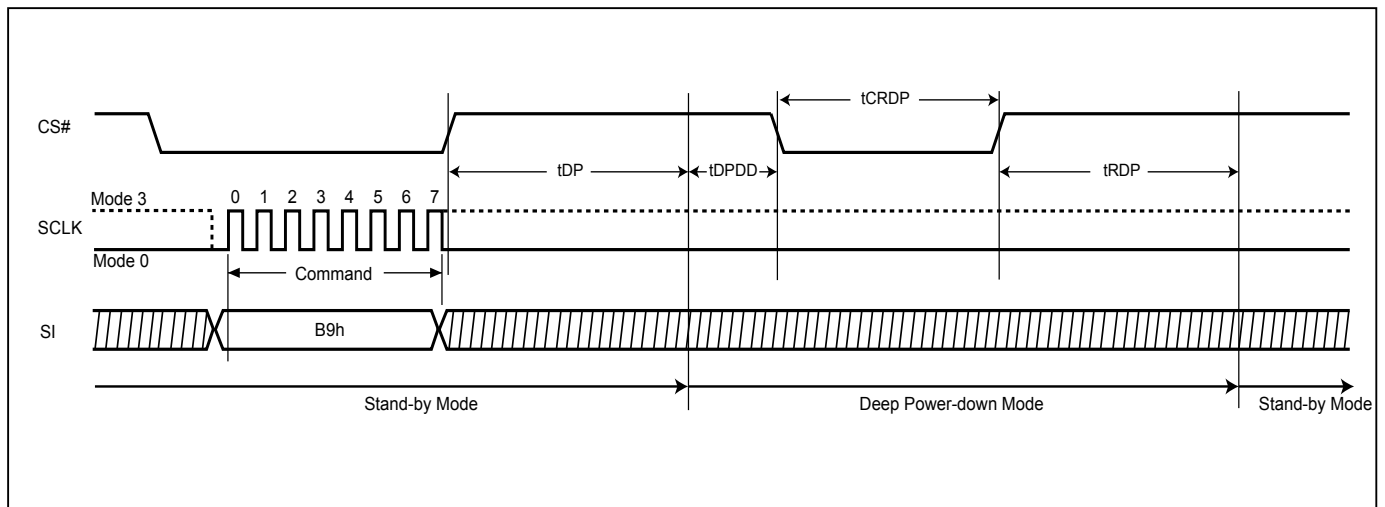
The Deep Power-down (DP) instruction places the device into a minimum power consumption state, Deep Power down mode, in which the quiescent current is reduced from ISB1 to ISB2.

The sequence of issuing DP instruction: CS# goes low→ send DP instruction code→ CS# goes high. The CS# must go high at the byte boundary; otherwise the instruction will not be executed. SIO[3:1] are "don't care".

After CS# goes high there is a delay of tDP before the device transitions from Stand-by mode to Deep Power-down mode and the current reduces from ISB1 to ISB2. Once in Deep Power-down mode, all instructions will be ignored.

CS# must not be pulsed low until the device has been in Deep Power-down mode for a minimum of tDPDD. The device exits Deep Power-down mode and returns to Stand-by mode if CS# pulses low for tCRDP or if the device is power-cycled or hardware reset. After CS# goes high, there is a delay of tRDP before the device transitions from Deep Power-down mode back to Stand-by mode.

**Figure 33. Deep Power-down (DP) Sequence and Release from Deep Power-down Sequence**



**10-27. Enter Secured OTP (ENSO)**

The ENSO instruction is for entering the additional 8K-bit secured OTP mode. While the device is in 8K-bit Secured OTP mode, array access is not available. The additional 8K-bit secured OTP is independent from main array, and may be used to store unique serial number for system identifier. After entering the Secured OTP mode, follow standard read or program procedure to read out the data or update data. The Secured OTP data cannot be updated again once it is lock-down.

The sequence of issuing ENSO instruction is: CS# goes low→ sending ENSO instruction to enter Secured OTP mode→ CS# goes high.

The SIO[3:1] are "don't care".

Please note that WRSR/WRSCUR commands are not acceptable during the access of secure OTP region, once security OTP is lock down, only read related commands are valid.

**10-28. Exit Secured OTP (EXSO)**

The EXSO instruction is for exiting the additional 8K-bit secured OTP mode.

The sequence of issuing EXSO instruction is: CS# goes low→ sending EXSO instruction to exit Secured OTP mode→ CS# goes high.

The SIO[3:1] are "don't care".

**10-29. Read Security Register (RDSCUR)**

The RDSCUR instruction is for reading the value of Security Register bits. The Read Security Register can be read at any time (even in program/erase/write status register/write security register condition) and continuously.

The sequence of issuing RDSCUR instruction is : CS# goes low→sending RDSCUR instruction→Security Register data out on SO→ CS# goes high.

The SIO[3:1] are "don't care".

The definition of the Security Register bits is as below:

**Secured OTP Indicator bit.** The Secured OTP indicator bit shows the secured OTP area is locked by factory or not. When it is "0", it indicates non-factory lock; "1" indicates factory- lock.

**Lock-down Secured OTP (LDSO) bit.** By writing WRSCUR instruction, the LDSO bit may be set to "1" for customer lock-down purpose. However, once the bit is set to "1" (lock-down), the LDSO bit and the 1<sup>st</sup> 4K-bit Secured OTP area cannot be updated any more.

**Program Suspend Status bit.** Program Suspend Bit (PSB) indicates the status of Program Suspend operation. Users may use PSB to identify the state of flash memory. After the flash memory is suspended by Program Suspend command, PSB is set to "1". PSB is cleared to "0" after program operation resumes.

**Erase Suspend Status bit.** Erase Suspend Bit (ESB) indicates the status of Erase Suspend operation. Users may use ESB to identify the state of flash memory. After the flash memory is suspended by Erase Suspend command, ESB is set to "1". ESB is cleared to "0" after erase operation resumes.

**Program Fail Flag bit.** The Program Fail bit shows the status of the last Program operation. The bit will be set to "1" if the program operation failed or the program region was protected. It will be automatically cleared to "0" if the next program operation succeeds. Please note that it will not interrupt or stop any operation in the flash memory.

**Erase Fail Flag bit.** The Erase Fail bit shows the status of last Erase operation. The bit will be set to "1" if the erase operation failed or the erase region was protected. It will be automatically cleared to "0" if the next erase operation succeeds. Please note that it will not interrupt or stop any operation in the flash memory.

**Table 8. Security Register Definition**

bit7	bit6	bit5	bit4	bit3	bit2	bit1	bit0
Reserved	E_FAIL	P_FAIL	Reserved	ESB (Erase Suspend status)	PSB (Program Suspend status)	LDSO (lock-down 1 <sup>st</sup> 4K-bit Secured OTP)	Secured OTP Indicator bit (2 <sup>nd</sup> 4K-bit Secured OTP)
Reserved	0=normal Erase succeed 1=indicate Erase failed (default=0)	0=normal Program succeed 1=indicate Program failed (default=0)	Reserved	0=Erase is not suspended 1=Erase is suspended (default=0)	0=Program is not suspended 1=Program is suspended (default=0)	0 = not lockdown 1 = lock-down (cannot program/erase OTP)	0 = nonfactory lock 1 = factory lock
non-volatile bit	volatile bit	volatile bit	volatile bit	volatile bit	volatile bit	non-volatile bit	non-volatile bit
Reserved	Read Only	Read Only		Read Only	Read Only	OTP	Read Only

### 10-30. Write Security Register (WRSCUR)

The WRSCUR instruction is for changing the values of Security Register Bits. The WREN (Write Enable) instruction is required before issuing WRSCUR instruction. The WRSCUR instruction may change the values of bit1 (LDSO bit) for customer to lock-down the 1<sup>st</sup> 4K-bit Secured OTP area. Once the LDSO bit is set to "1", the 1<sup>st</sup> 4K-bit Secured OTP area cannot be updated any more.

The sequence of issuing WRSCUR instruction is :CS# goes low→ sending WRSCUR instruction → CS# goes high.

The SIO[3:1] are "don't care".

The CS# must go high exactly at the boundary; otherwise, the instruction will be rejected and not executed.



### 10-31. Program/Erase Suspend/Resume

The Suspend instruction interrupts a Page Program, Sector Erase, or Block Erase operation to allow access to the memory array. After the program or erase operation has entered the suspended state, the memory array can be read except for the page being programmed or the sector or block being erased (*"Table 9. Readable Area of Memory While a Program or Erase Operation is Suspended"*).

**Table 9. Readable Area of Memory While a Program or Erase Operation is Suspended**

Suspended Operation	Readable Region of Memory Array
Page Program	All but the Page being programmed
Sector Erase (4KB)	All but the 4KB Sector being erased
Block Erase (32KB)	All but the 32KB Block being erased
Block Erase (64KB)	All but the 64KB Block being erased

When the Serial NOR Flash receives the Suspend instruction, there is a latency of tPSL or tESL (*"Figure 35. Suspend to Read/Program Latency"*) before the Write Enable Latch (WEL) bit clears to "0" and the PSB or ESB sets to "1", after which the device is ready to accept one of the commands listed in *"Table 10. Acceptable Commands During Program/Erase Suspend after tPSL/tESL"* (e.g. FAST READ). Refer to *"Table 17. AC Characteristics"* for tPSL and tESL timings. *"Table 11. Acceptable Commands During Suspend (tPSL/tESL not required)"* lists the commands for which the tPSL and tESL latencies do not apply. For example, RDSR, RDSCUR, RSTEN, and RST can be issued at any time after the Suspend instruction.

Security Register bit 2 (PSB) and bit 3 (ESB) can be read to check the suspend status. The PSB (Program Suspend Bit) sets to "1" when a program operation is suspended. The ESB (Erase Suspend Bit) sets to "1" when an erase operation is suspended. The PSB or ESB clears to "0" when the program or erase operation is resumed.

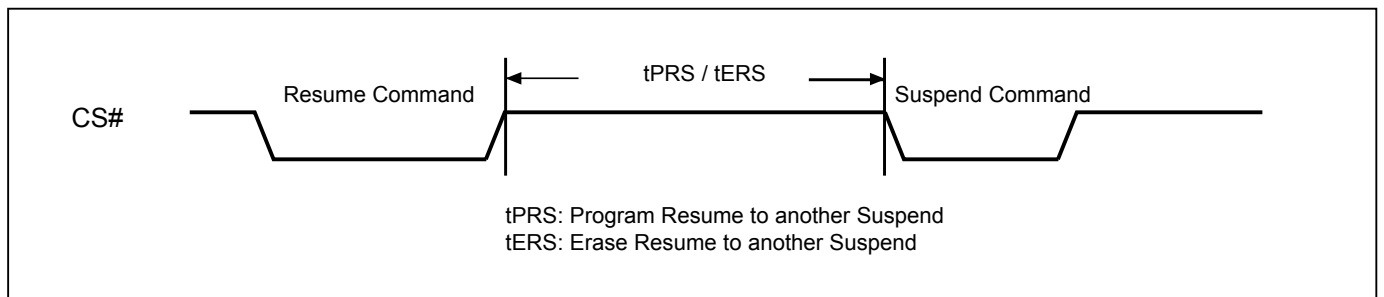
**Table 10. Acceptable Commands During Program/Erase Suspend after tPSL/tESL**

Command Name	Command Code	Suspend Type	
		Program Suspend	Erase Suspend
READ	03h	•	•
FAST READ	0Bh	•	•
DREAD	3Bh	•	•
QREAD	6Bh	•	•
2READ	BBh	•	•
4READ	EBh	•	•
RDSFDP	5Ah	•	•
RDID	9Fh	•	•
REMS	90h	•	•
SBL	C0h	•	•
ENSO	B1h	•	•
EXSO	C1h	•	•
WREN	06h		•
RESUME	7Ah or 30h	•	•
PP	02h		•
QPP	32h		•
4PP	38h		•

**Table 11. Acceptable Commands During Suspend (tPSL/tESL not required)**

Command Name	Command Code	Suspend Type	
		Program Suspend	Erase Suspend
WRDI	04h	•	•
RDSR	05h	•	•
RDCR	15h	•	•
RDSCUR	2Bh	•	•
RES	ABh	•	•
RSTEN	66h	•	•
RST	99h	•	•
NOP	00h	•	•

**Figure 34. Resume to Suspend Latency**

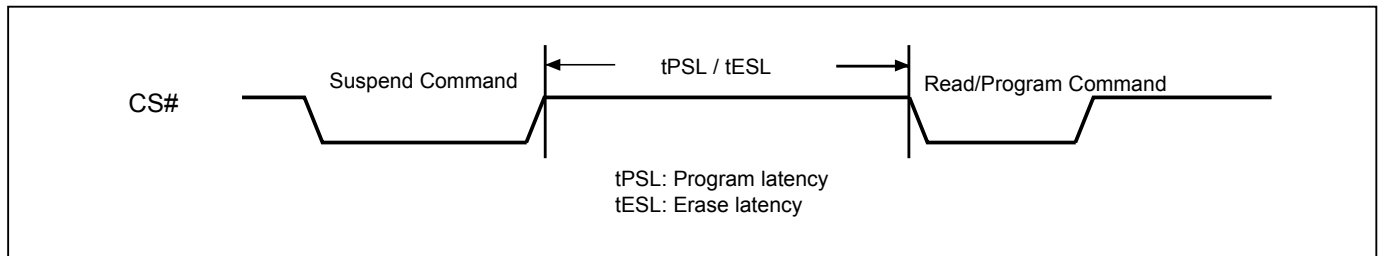


### 10-31-1. Erase Suspend to Program

The “Erase Suspend to Program” feature allows Page Programming while an erase operation is suspended. Page Programming is permitted in any unprotected memory except within the sector of a suspended Sector Erase operation or within the block of a suspended Block Erase operation. The Write Enable (WREN) instruction must be issued before any Page Program instruction.

A Page Program operation initiated within a suspended erase cannot itself be suspended and must be allowed to finish before the suspended erase can be resumed. The Status Register can be polled to determine the status of the Page Program operation. The WEL and WIP bits of the Status Register will remain “1” while the Page Program operation is in progress and will both clear to “0” when the Page Program operation completes.

**Figure 35. Suspend to Read/Program Latency**



Notes:

1. Please note that Program only available after the Erase-Suspend operation
2. To check suspend ready information, please read security register bit2(PSB) and bit3(ESB)

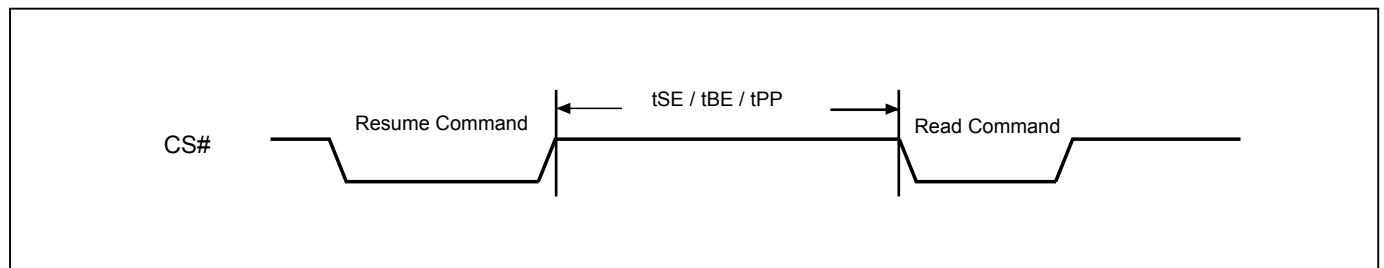
### 10-32. Program Resume and Erase Resume

The Resume instruction resumes a suspended Page Program, Sector Erase, or Block Erase operation. Before issuing the Resume instruction to restart a suspended erase operation, make sure that there is no Page Program operation in progress.

Immediately after the Serial NOR Flash receives the Resume instruction, the WEL and WIP bits are set to “1” and the PSB or ESB is cleared to “0”. The program or erase operation will continue until finished (“[Figure 36. Resume to Read Latency](#)”) or until another Suspend instruction is received. A resume-to-suspend latency of tPRS or tERS must be observed before issuing another Suspend instruction (“[Figure 34. Resume to Suspend Latency](#)”).

Please note that the Resume instruction will be ignored if the Serial NOR Flash is in “Performance Enhance Mode”. Make sure the Serial NOR Flash is not in “Performance Enhance Mode” before issuing the Resume instruction.

**Figure 36. Resume to Read Latency**



### **10-33. No Operation (NOP)**

The "No Operation" command is only able to terminate the Reset Enable (RSTEN) command and will not affect any other command.

The SIO[3:1] are don't care.

### **10-34. Software Reset (Reset-Enable (RSTEN) and Reset (RST))**

The Software Reset operation combines two instructions: Reset-Enable (RSTEN) command and Reset (RST) command. It returns the device to a standby mode. All the volatile bits and settings will be cleared then, which makes the device return to the default status as power on.

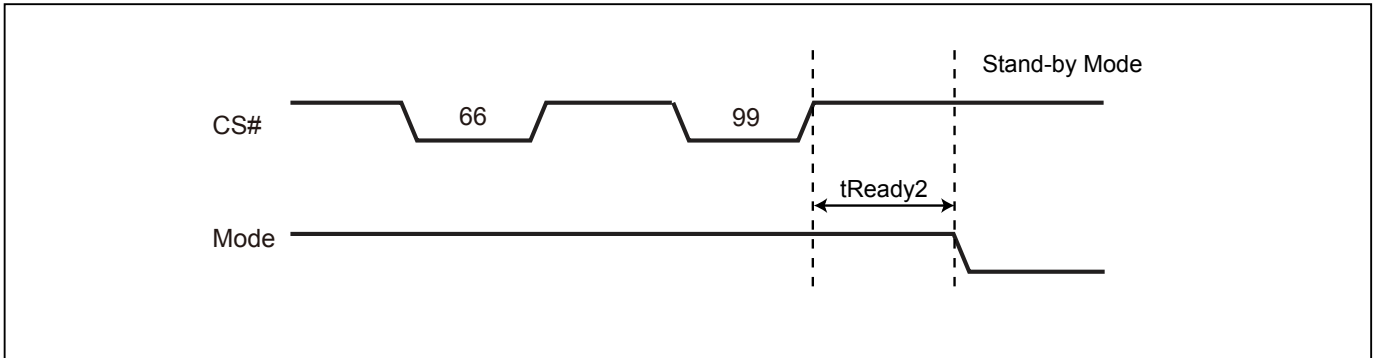
To execute Reset command (RST), the Reset-Enable (RSTEN) command must be executed first to perform the Reset operation. If there is any other command to interrupt after the Reset-Enable command, the Reset-Enable will be invalid.

The SIO[3:1] are "don't care".

If the Reset command is executed during program or erase operation, the operation will be disabled, the data under processing could be damaged or lost.

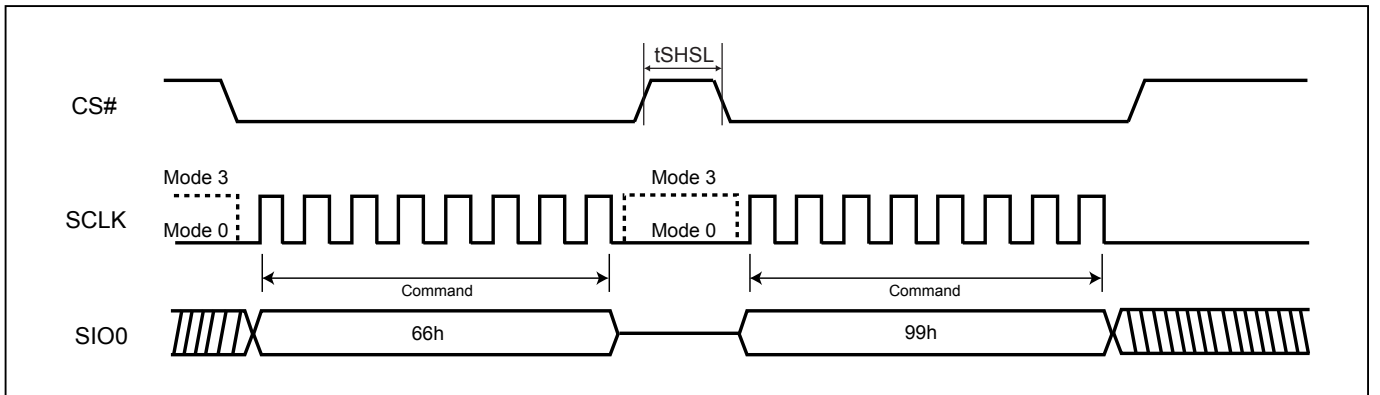
The reset time is different depending on the last operation. Longer latency time is required to recover from a program operation than from other operations.

**Figure 37. Software Reset Recovery**



Note: Refer to "Table 13. Reset Timing-(Other Operation)" for tREADY2 data.

**Figure 38. Reset Sequence**



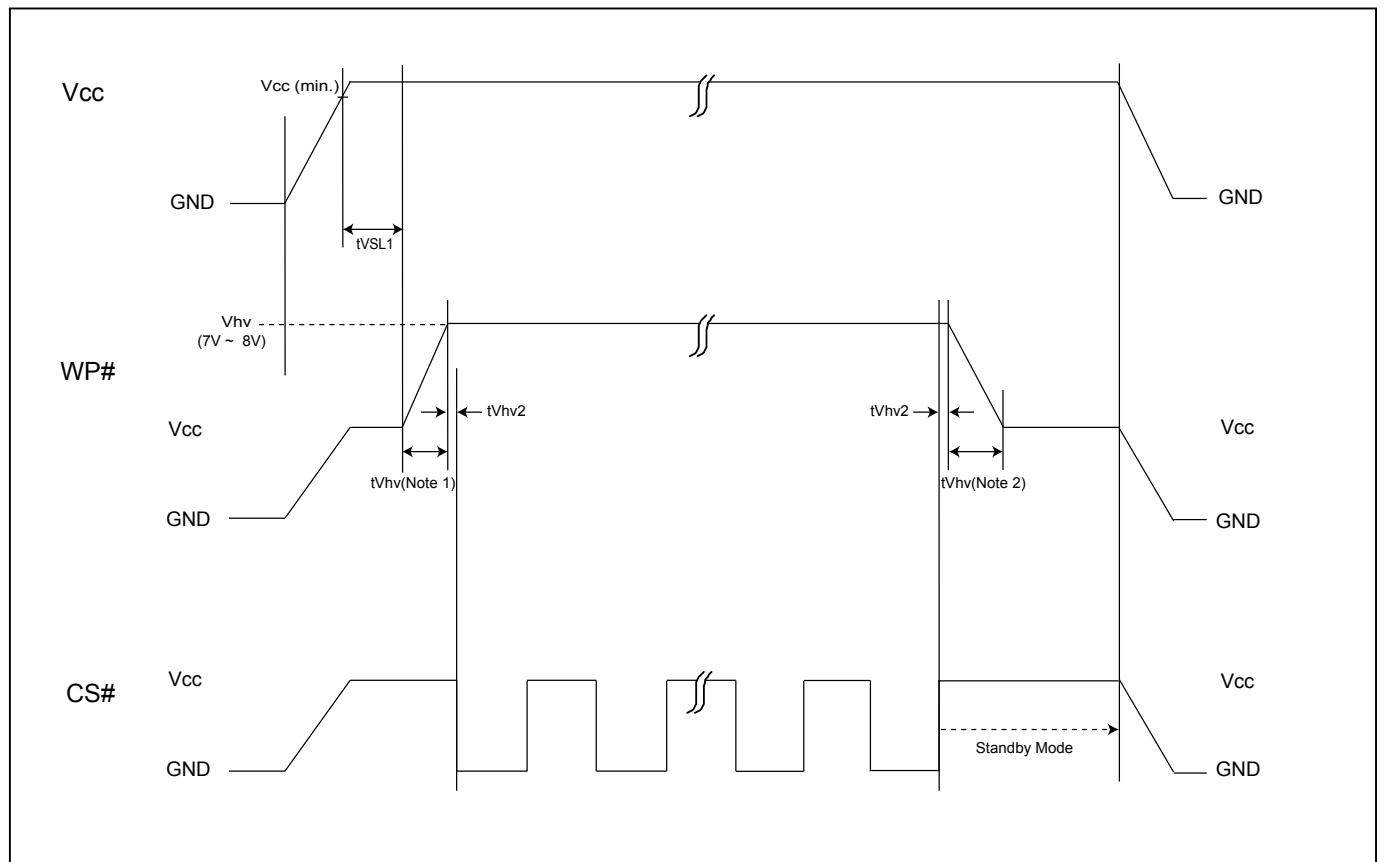
### 10-35. High Voltage Operation

The flash device supports High Voltage Operation. This operation allows user can have better performance in following Program/Erase operation.

To enable High Voltage Operation, WP#/SIO2 need to apply V<sub>hv</sub> during whole operation. If the voltage can not sustain in V<sub>hv</sub> range, the Program/Erase operation might be failed. CS# can only go low after t<sub>VSL1</sub>+t<sub>Vhv</sub> +t<sub>Vhv2</sub> timing during High Voltage Operation. WP# can only start to go low after whole Erase/Program Operation has been done.

To check the operation status, user may check the status of WIP bit.

**Figure 39. High Voltage Operation Diagram**



**Note 1:** Please note that the CS# can only go low after t<sub>VSL1</sub>+t<sub>Vhv</sub> +t<sub>Vhv2</sub> timing during High Voltage Operation.

**Note 2:** Please note that the WP# can only start to go low after whole Erase/Program Operation has been done.

To check the operation status, user may check the status of WIP bit.

**Note 3:** t<sub>Vhv</sub>(min.) = 250ns, t<sub>VSL1</sub> (min.) = 800us; t<sub>Vhv2</sub>(min.) = 0ns

**Note 4:** V<sub>hv</sub> range is 7V(min.) ≤ V<sub>hv</sub> ≤ 8(max.)

**Note 5:** The High Voltage Operation can only work during V<sub>cc</sub>(min.) ≤ V<sub>cc</sub> ≤ 2.0V

**10-36. Read SFDP Mode (RDSFDP)**

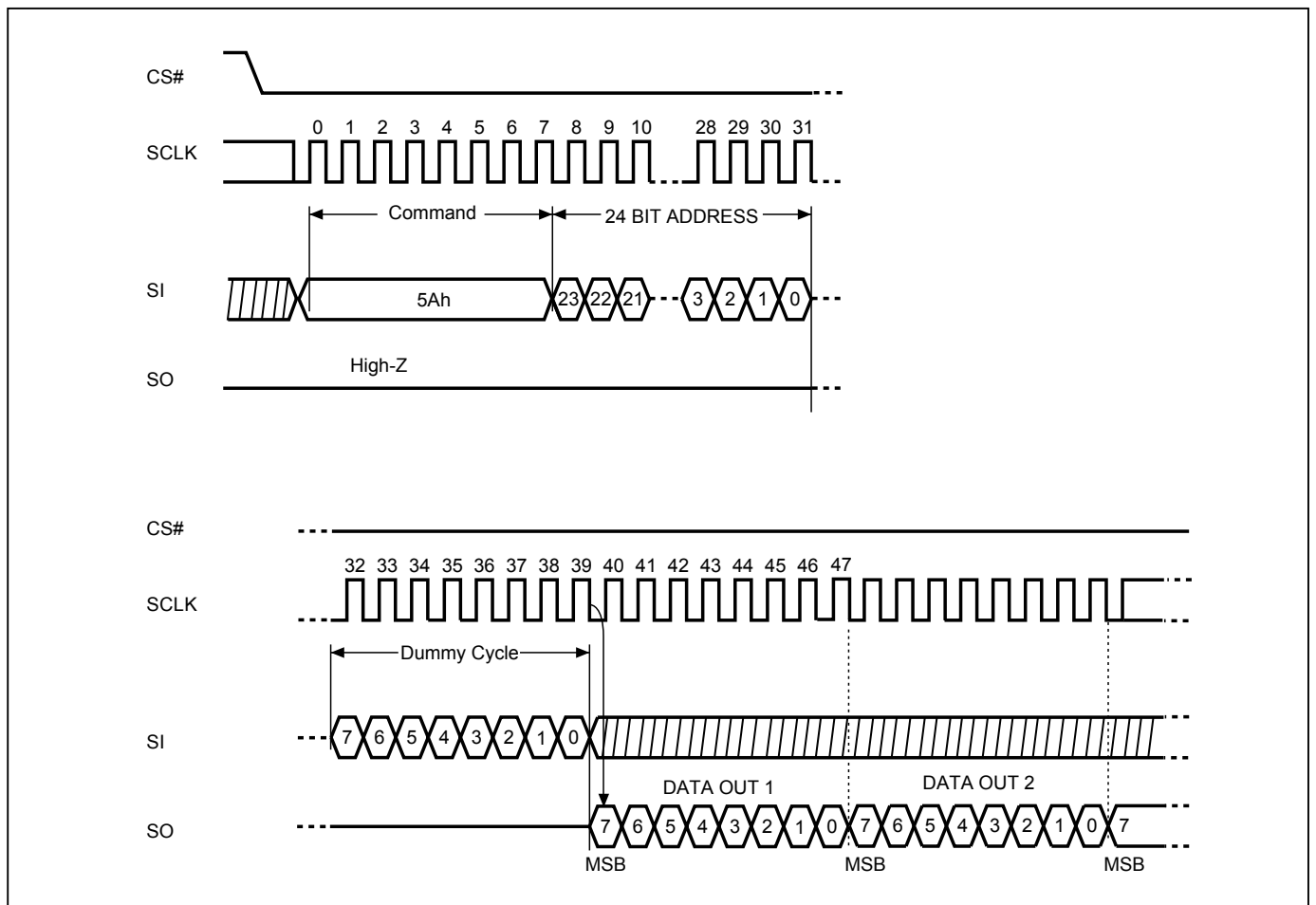
The Serial Flash Discoverable Parameter (SFDP) standard provides a consistent method of describing the functional and feature capabilities of serial flash devices in a standard set of internal parameter tables. These parameter tables can be interrogated by host system software to enable adjustments needed to accommodate divergent features from multiple vendors. The concept is similar to the one found in the Introduction of JEDEC Standard, JESD68 on CFI.

The sequence of issuing RDSFDP instruction is same as FAST\_READ: CS# goes low→send RDSFDP instruction (5Ah)→send 3 address bytes on SI pin→send 1 dummy byte on SI pin→read SFDP code on SO→to end RDSFDP operation can use CS# to high at any time during data out.

SFDP is a JEDEC Standard, JESD216B.

For SFDP register values detail, please contact local Macronix sales channel for Application Note.

**Figure 40. Read Serial Flash Discoverable Parameter (RDSFDP) Sequence**



### 10-37. Factory Mode Sector Erase

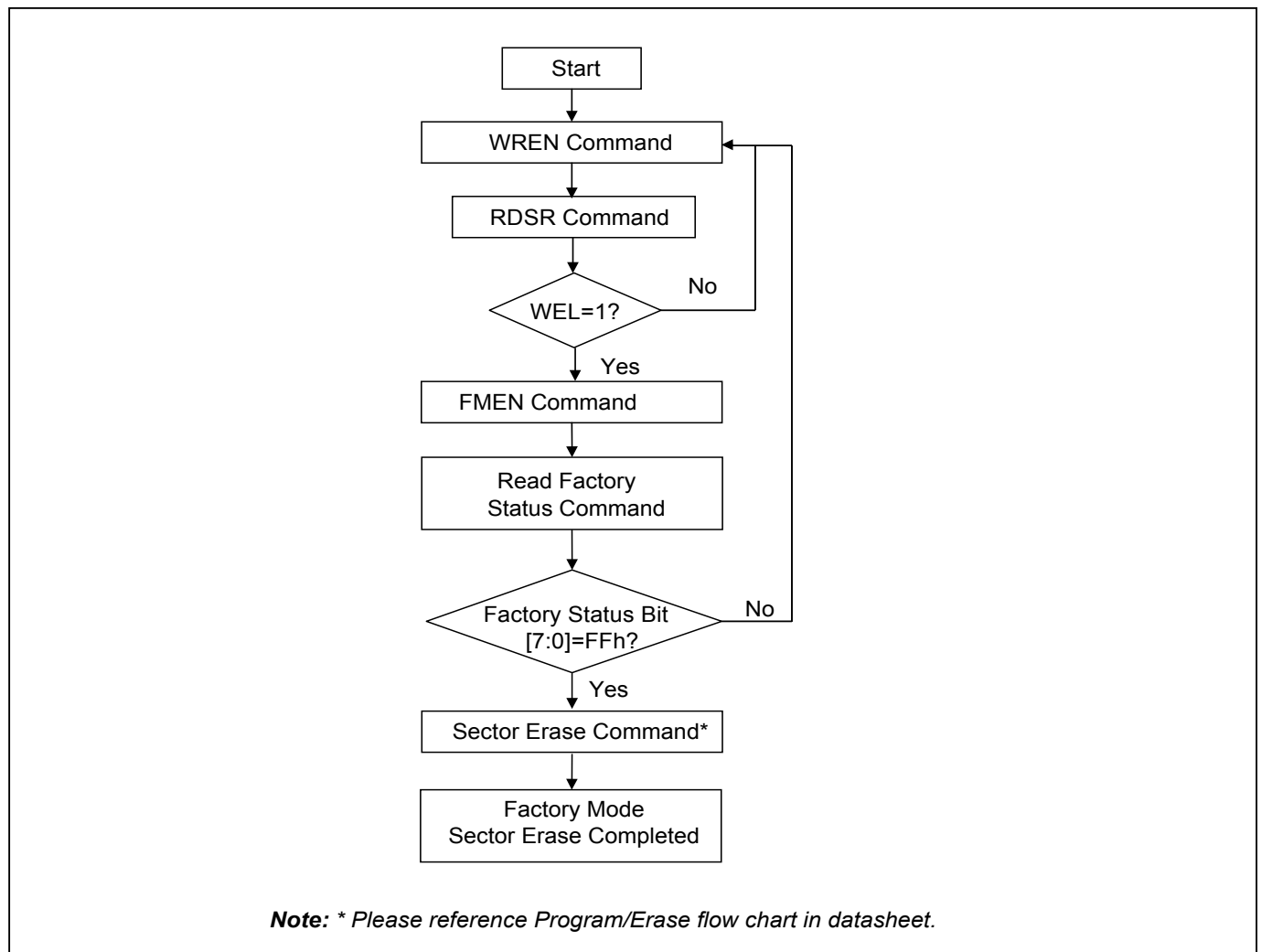
To apply Factory Mode Sector Erase, customers need to follow the operation below:

Factory Mode Enable (FMEN): The Factory Mode Enable (FMEN) instruction is for enhancing Sector Erase performance, which increase factory production throughput. The FMEN instruction will need to be combined with the SE instruction when user intends to change the device content.

A valid factory mode operation need to include three sequences: WREN instruction → FMEN instruction → Sector Erase instruction. The sequence of issuing FMEN instruction is: CS# goes low → send FMEN instruction code → CS# goes high. Please note that Suspend command is not acceptable during factory mode.

The FMEN will be reset in following situations: Power-up, Reset# pin driven low, Sector Erase command completion, and Softreset command completion.

**Figure 41. Factory Mode Sector Erase Flow**





### 10-38. Factory Mode 32KB Block Erase

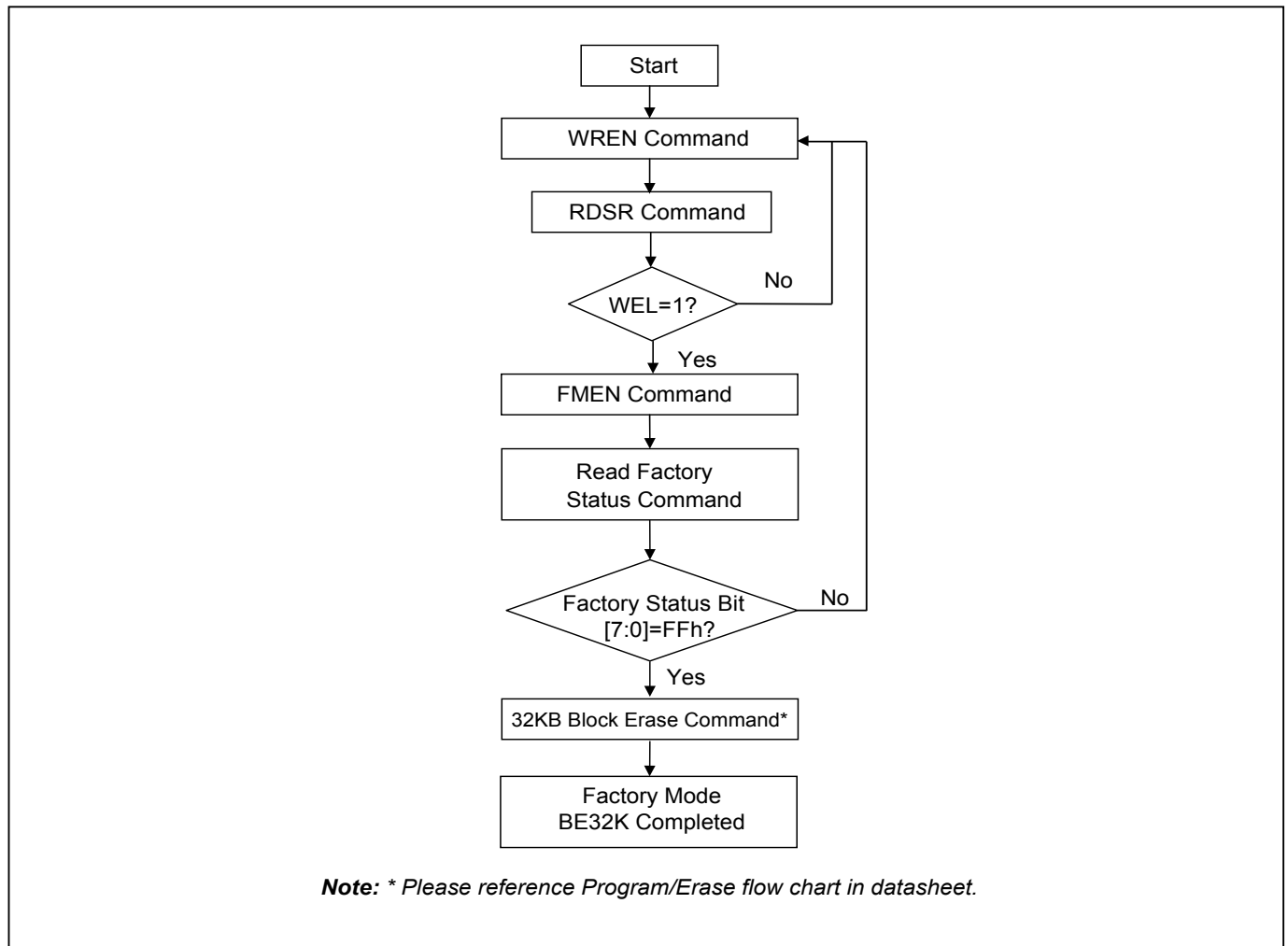
To apply Factory Mode 32KB Block Erase, customers need to follow the operation below:

Factory Mode Enable (FMEN): The Factory Mode Enable (FMEN) instruction is for enhancing 32KB Block Erase performance, which increase factory production throughput. The FMEN instruction will need to be combined with the BE32K instruction when user intends to change the device content.

A valid factory mode operation need to include three sequences: WREN instruction → FMEN instruction→ BE32K instruction. The sequence of issuing FMEN instruction is: CS# goes low→send FMEN instruction code→ CS# goes high. Please note that Suspend command is not acceptable during factory mode.

The FMEN will be reset in following situations: Power-up, Reset# pin driven low, BE32K command completion, and Softreset command completion.

**Figure 42. Factory Mode 32KB Block Erase Flow**



### 10-39. Factory Mode 64KB Block Erase

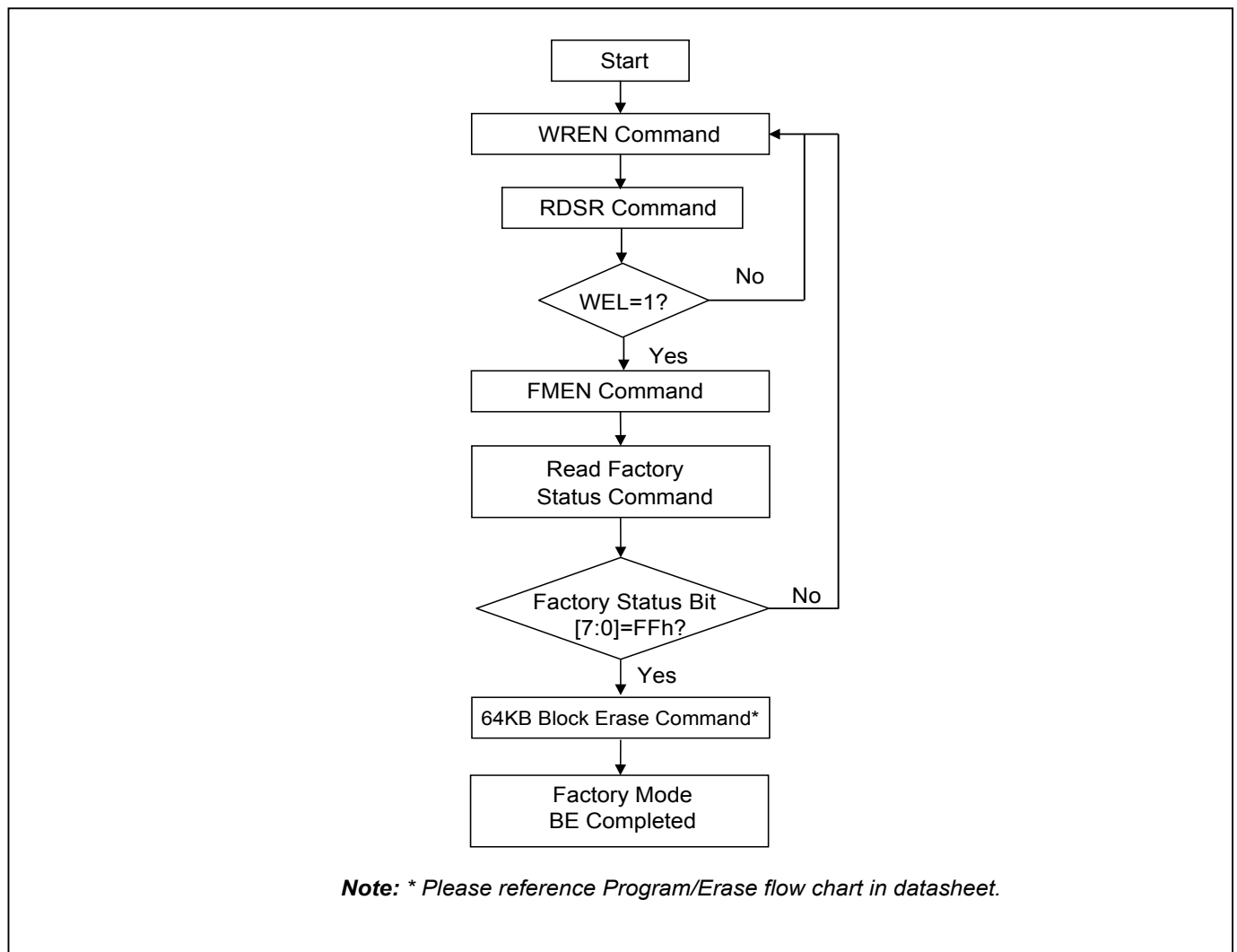
To apply Factory Mode 64KB Block Erase, customers need to follow the operation below:

Factory Mode Enable (FMEN): The Factory Mode Enable (FMEN) instruction is for enhancing 64KB Block Erase performance, which increase factory production throughput. The FMEN instruction will need to be combined with the BE instruction when user intends to change the device content.

A valid factory mode operation need to include three sequences: WREN instruction → FMEN instruction→ BE instruction. The sequence of issuing FMEN instruction is: CS# goes low→send FMEN instruction code→ CS# goes high. Please note that Suspend command is not acceptable during factory mode.

The FMEN will be reset in following situations: Power-up, Reset# pin driven low, BE command completion, and Softreset command completion.

**Figure 43. Factory Mode Block Erase Flow**



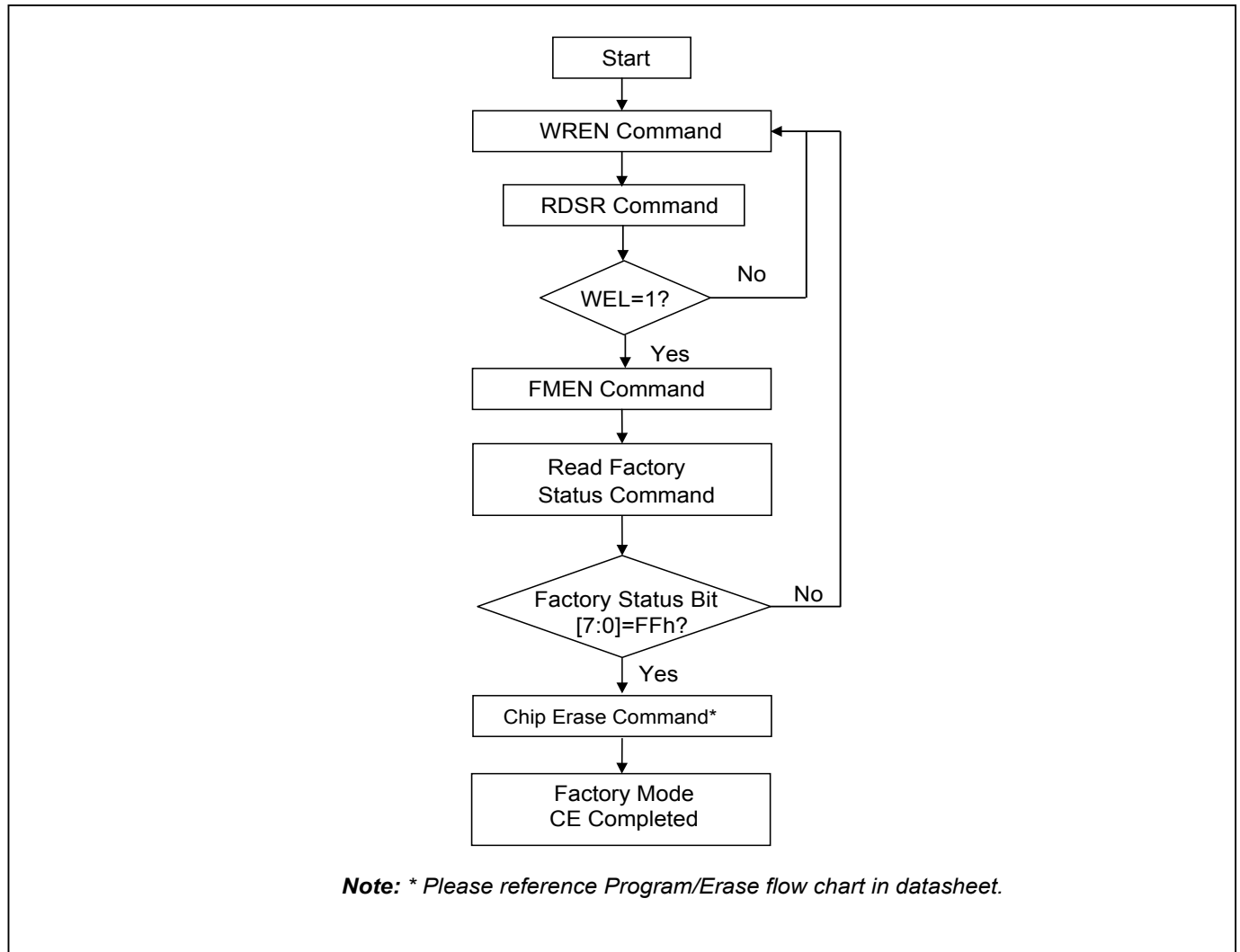
**10-40. Factory Mode Chip Erase**

To apply Factory Mode Chip Erase, customers need to follow the operation below:

Factory Mode Enable (FMEN): The Factory Mode Enable (FMEN) instruction is for enhancing Chip Erase performance, which increase factory production throughput. The FMEN instruction will need to be combined with the CE instruction when user intends to change the device content.

A valid factory mode operation need to include three sequences: WREN instruction → FMEN instruction → CE instruction. The sequence of issuing FMEN instruction is: CS# goes low → send FMEN instruction code → CS# goes high. Please note that Suspend command is not acceptable during factory mode.

The FMEN will be reset in following situations: Power-up, Reset# pin driven low, CE command completion, and Softreset command completion.

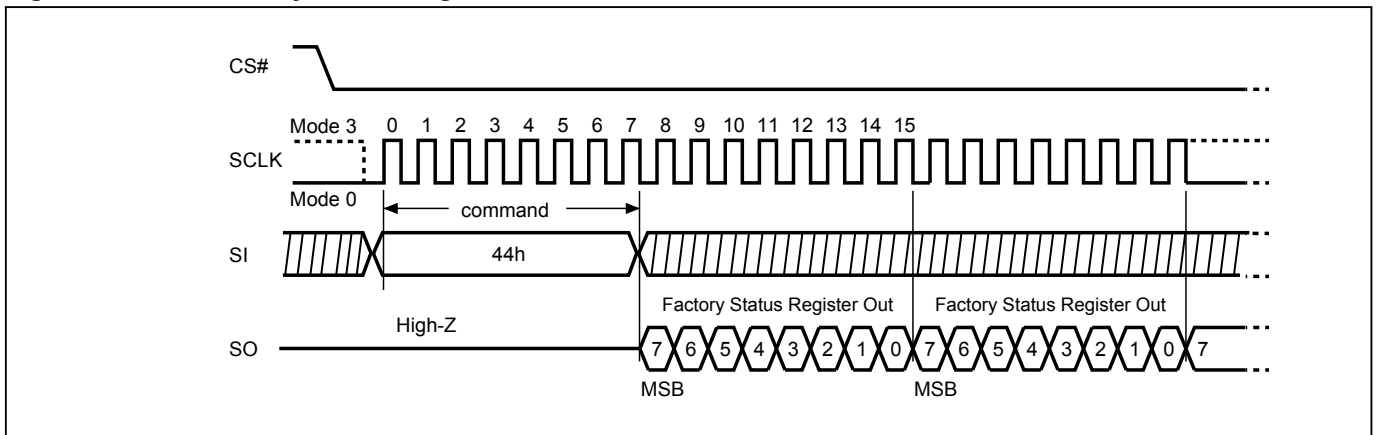
**Figure 44. Factory Mode Chip Erase Flow**

**10-41. Read Factory Status**

- Read Factory Status command is used to read chip status and check it is at factory mode or not.
- Like RDSR (Read Status Register, 05h), factory status will be outputted to the SO pin following this Read Factory Status command.
- Factory status bit [7:0] shows Factory mode indicators. FMEN command can set them to 1, and the bits will automatically be reset after the end of erase operation.

BIT7	BIT6	BIT5	BIT4	BIT3	BIT2	BIT1	BIT0
FACTORY_ MODE	FACTORY_ MODE	FACTORY_ MODE	FACTORY_ MODE	FACTORY_ MODE	FACTORY_ MODE	FACTORY_ MODE	FACTORY_ MODE

**Figure 45. Read Factory Status Register**



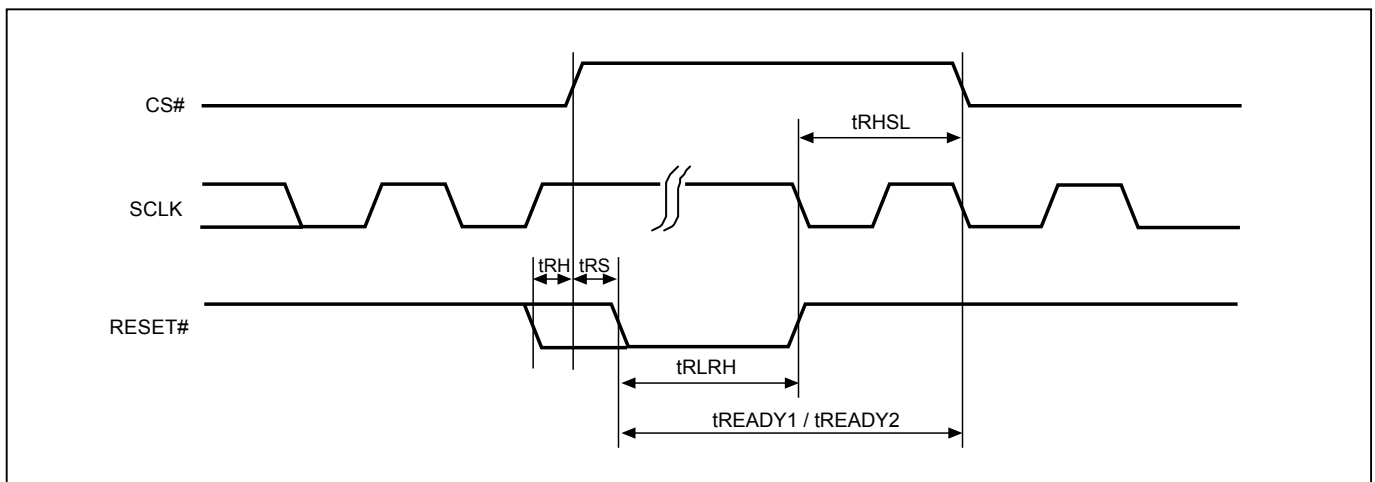
## 11. RESET

Driving the RESET# pin low for a period of tRLRH or longer will reset the device. After reset cycle, the device is at the following states:

- Standby mode
- All the volatile bits such as WEL/WIP/SRAM lock bit will return to the default status as power on.

If the device is under programming or erasing, driving the RESET# pin low will also terminate the operation and data could be lost. During the resetting cycle, the SO data becomes high impedance and the current will be reduced to minimum.

**Figure 46. RESET Timing**



**Table 12. Reset Timing-(Power On)**

Symbol	Parameter	Min.	Typ.	Max.	Unit
tRHSL	Reset# high before CS# low	10			us
tRS	Reset# setup time	15			ns
tRH	Reset# hold time	15			ns
tRLRH	Reset# low pulse width	10			us
tREADY1	Reset Recovery time	35			us

**Table 13. Reset Timing-(Other Operation)**

Symbol	Parameter	Min.	Typ.	Max.	Unit
tRHSL	Reset# high before CS# low	10			us
tRS	Reset# setup time	15			ns
tRH	Reset# hold time	15			ns
tRLRH	Reset# low pulse width	10			us
tREADY2	Reset Recovery time (During instruction decoding)	30			us
	Reset Recovery time (for read operation)	30			us
	Reset Recovery time (for program operation)	80			us
	Reset Recovery time (for SE4KB operation)	12			ms
	Reset Recovery time (for BE32K/64K operation)	12			ms
	Reset Recovery time (for Chip Erase operation)	12			ms
	Reset Recovery time (for WRSR operation)	0.1			ms

## 12. POWER-ON STATE

The device is at the following states when power-up:

- Standby mode (please note it is not deep power-down mode)
- Write Enable Latch (WEL) bit is reset

The device must not be selected during power-up and power-down stage until the VCC reaches the following levels:

- VCC minimum at power-up stage and then after a delay of  $t_{VSL}$
- GND at power-down

Please note that a pull-up resistor on CS# may ensure a safe and proper power-up/down level.

An internal power-on reset (POR) circuit may protect the device from data corruption and inadvertent data change during power up state. When VCC is lower than VWI (POR threshold voltage value), the internal logic is reset and the flash device has no response to any command.

For further protection on the device, if the VCC does not reach the VCC minimum level, the correct operation is not guaranteed. The write, erase, and program command should be sent after the below time delay:

- $t_{VSL}$  after VCC reached VCC minimum level

The device can accept read command after VCC reached VCC minimum and a time delay of  $t_{VSL}$ .

Please refer to the *"Figure 54. Power-up Timing"*.

Note:

- To stabilize the VCC level, the VCC rail decoupled by a suitable capacitor close to package pins is recommended. (generally around 0.1 $\mu$ F)
- At power-down stage, the VCC drops below VWI level, all operations are disable and device has no response to any command. The data corruption might occur during this stage if a write, program, erase cycle is in progress.

### 13. ELECTRICAL SPECIFICATIONS

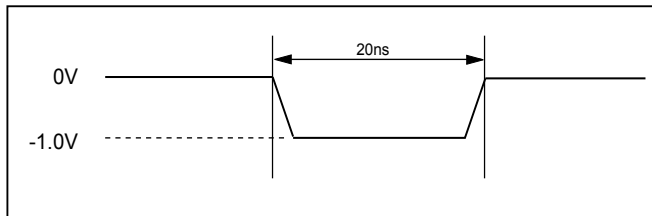
**Table 14. Absolute Maximum Ratings**

Rating		Value
Ambient Operating Temperature	Industrial grade	-40°C to 85°C
Storage Temperature		-65°C to 150°C
Applied Input Voltage		-0.5V to VCC+0.5V
Applied Output Voltage		-0.5V to VCC+0.5V
VCC to Ground Potential	MX25R (1.65V-3.6V)	-0.5V to 4.0V

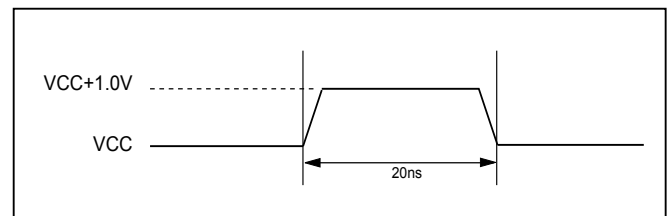
**NOTICE:**

1. Stresses greater than those listed under "Absolute Maximum Ratings" may cause permanent damage to the device. This is stress rating only and functional operational sections of this specification is not implied. Exposure to absolute maximum rating conditions for extended period may affect reliability.
2. Specifications contained within the following tables are subject to change.
3. During voltage transitions, all pins may overshoot to VCC+1.0V or -1.0V for period up to 20ns.

**Figure 47. Maximum Negative Overshoot Waveform**



**Figure 48. Maximum Positive Overshoot Waveform**

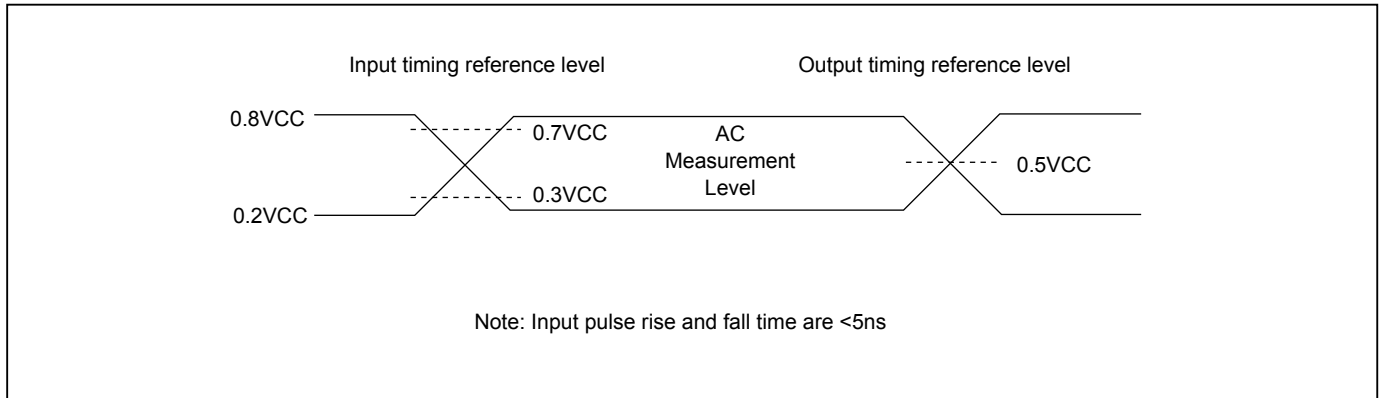


**Table 15. Capacitance**

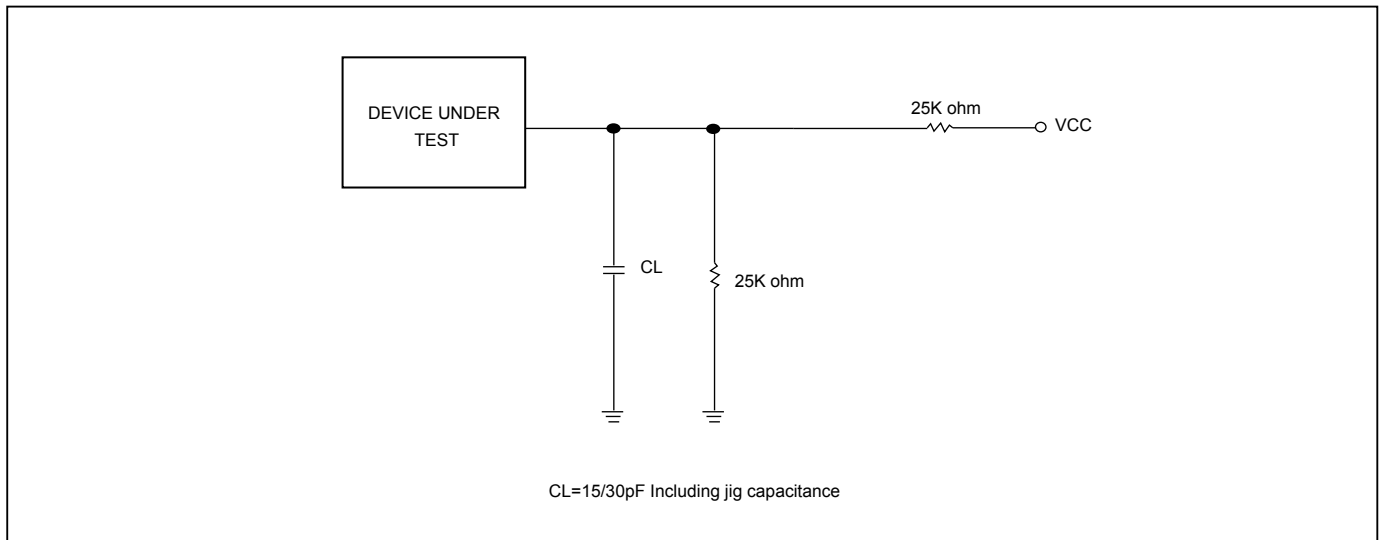
TA = 25°C, f = 1.0 MHz

Symbol	Parameter	Min.	Typ.	Max.	Unit	Conditions
CIN	Input Capacitance			6	pF	VIN = 0V
COUT	Output Capacitance			8	pF	VOUT = 0V

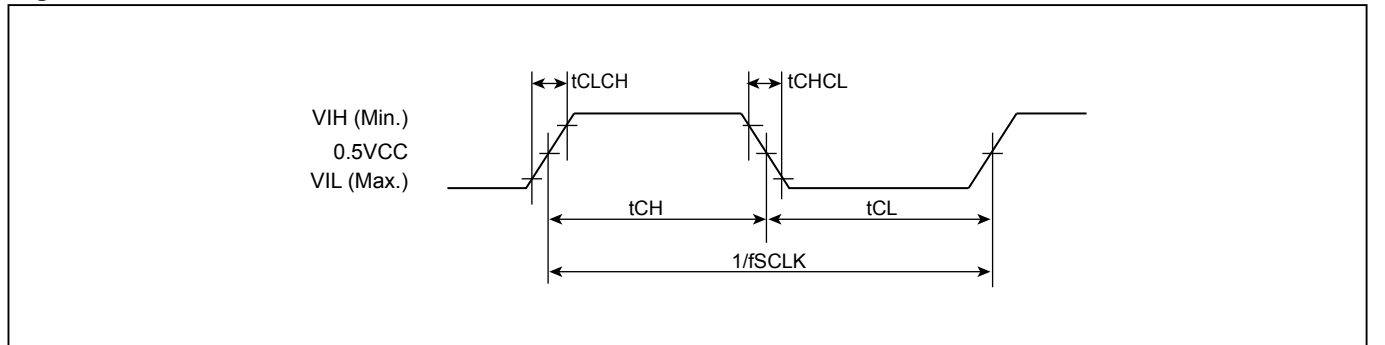
**Figure 49. Input Test Waveforms and Measurement Level**



**Figure 50. Output Loading**



**Figure 51. SCLK TIMING DEFINITION**





**Table 16. DC Characteristics**

Ultra Low Power Mode (Configuration Register-2 bit1= 0):

Symbol	Parameter	Notes	Min.	Typ.	Max.	Units	Test Conditions
ILI	Input Load Current	1			±2	uA	VCC = VCC Max, VIN = VCC or GND
ILO	Output Leakage Current	1			±2	uA	VCC = VCC Max, VOUT = VCC or GND
ISB1	VCC Standby Current	1		5	24	uA	VIN = VCC or GND, CS# = VCC
ISB2	Deep Power-down Current			0.007	0.35	uA	VIN = VCC or GND, CS# = VCC
ICC1	VCC Read	1		2.8	4.5	mA	f=16MHz (4x I/O) SCLK=0.1VCC/0.9VCC, SO=Open
				2.2	4	mA	f=33MHz SCLK=0.1VCC/0.9VCC, SO=Open
				2.2	4	mA	f=16MHz (2x I/O) SCLK=0.1VCC/0.9VCC, SO=Open
ICC2	VCC Program Current (PP)	1		3.5	6	mA	Program in Progress, CS# = VCC
ICC3	VCC Write Status Register (WRSR) Current			3.1	6	mA	Program status register in progress, CS#=VCC
ICC4	VCC Sector/Block (64K) Erase Current (SE/BE)	1		3.1	6	mA	Erase in Progress, CS#=VCC
ICC5	VCC Chip Erase Current (CE)	1		3.1	6	mA	Erase in Progress, CS#=VCC
Vhv	High Voltage Applied at WP# pin		7		8	V	Test Condition, VCC=2.0V
VIL	Input Low Voltage		-0.5		0.2VCC	V	
VIH	Input High Voltage		0.8VCC		VCC+0.4	V	
VOL	Output Low Voltage				0.2	V	IOL = 100uA
VOH	Output High Voltage		VCC-0.2			V	IOH = -100uA

Notes :

1. Device operation range: 1.65V-3.6V, Typical values at VCC = 1.8V, T = 25°C. These currents are valid for all product versions (package and speeds).
2. Typical value is calculated by simulation.

High Performance Mode (Configuration Register-2 bit1= 1):

Symbol	Parameter	Notes	Min.	Typ.	Max.	Units	Test Conditions
ILI	Input Load Current	1			±2	uA	VCC = VCC Max, VIN = VCC or GND
ILO	Output Leakage Current	1			±2	uA	VCC = VCC Max, VOUT = VCC or GND
Iwph	Leakage Current while WP# at Vhv				30	uA	VCC < 2.1V
ISB1	VCC Standby Current	1		9	40	uA	VIN = VCC or GND, CS# = VCC
ISB2	Deep Power-down Current			0.007	0.35	uA	VIN = VCC or GND, CS# = VCC
ICC1	VCC Read	1		4.2	6.7	mA	f=108MHz SCLK=0.1VCC/0.9VCC, SO=Open
				5	8	mA	f=104MHz (2x I/O) SCLK=0.1VCC/0.9VCC, SO=Open
				3.9	6.5	mA	f=33MHz (4x I/O) SCLK=0.1VCC/0.9VCC, SO=Open
				6.5	9.5	mA	f=104MHz (4x I/O) SCLK=0.1VCC/0.9VCC, SO=Open
ICC2	VCC Program Current (PP)	1		5.8	10	mA	Program in Progress, CS# = VCC
ICC3	VCC Write Status Register (WRSR) Current			3.5	10	mA	Program status register in progress, CS#=VCC
ICC4	VCC Sector/Block (64K) Erase Current (SE/BE)	1		3.5	10	mA	Erase in Progress, CS#=VCC
ICC5	VCC Chip Erase Current (CE)	1		4	10	mA	Erase in Progress, CS#=VCC
Vhv	High Voltage Applied at WP# pin		7		8	V	Test Condition, VCC=2.0V
VIL	Input Low Voltage		-0.5		0.2VCC	V	
VIH	Input High Voltage		0.8VCC		VCC+0.4	V	
VOL	Output Low Voltage				0.2	V	IOL = 100uA
VOH	Output High Voltage		VCC-0.2			V	IOH = -100uA

Notes :

1. Device operation range: 1.65V-3.6V, Typical values at VCC = 1.8V, T = 25°C.  
These currents are valid for all product versions (package and speeds).
2. Typical value is calculated by simulation.

**Table 17. AC Characteristics**

Ultra Low Power Mode (Configuration Register-2 bit1= 0):

Symbol	Alt.	Parameter	Min.	Typ. <sup>(2)</sup>	Max.	Unit
fSCLK	fC	Clock Frequency for the following instructions: FAST_READ, RDSFDP, PP, SE, BE32K, BE, CE, DP, RES, WREN, WRDI, RDID, RDSR, WRSR <sup>(7)</sup>	D.C.		33	MHz
fRSCLK	fR	Clock Frequency for READ instructions			33	MHz
fTCLK	fT	Clock Frequency for 2READ/DREAD instructions			16	MHz
	fQ	Clock Frequency for 4READ/QREAD instructions			16	MHz
f4PP		Clock Frequency for 4PP (Quad page program)			33	MHz
tCH <sup>(1)</sup>	tCLH	Clock High Time	Others (fSCLK)	45% x (1/fSCLK)		ns
			Normal Read (fRSCLK)	13		ns
tCL <sup>(1)</sup>	tCLL	Clock Low Time	Others (fSCLK)	45% x (1/fSCLK)		ns
			Normal Read (fRSCLK)	13		ns
tCLCH <sup>(9)</sup>		Clock Rise Time (peak to peak)	0.1			V/ns
tCHCL <sup>(9)</sup>		Clock Fall Time (peak to peak)	0.1			V/ns
tSLCH	tCSS	CS# Active Setup Time (relative to SCLK)	5			ns
tCHSL		CS# Not Active Hold Time (relative to SCLK)	5			ns
tDVCH	tDSU	Data In Setup Time	2			ns
tCHDX	tDH	Data In Hold Time	3			ns
tCHSH		CS# Active Hold Time (relative to SCLK)	5			ns
tSHCH		CS# Not Active Setup Time (relative to SCLK)	5			ns
tSHSL	tCSH	CS# Deselect Time	From Read to next Read	15		ns
			From Write/Erase/Program to Read Status Register	30		ns
tSHQZ <sup>(9)</sup>	tDIS	Output Disable Time			8	ns
tCLQV	tV	Clock Low to Output Valid Loading: 30pF/15pF	Loading: 30pF		12	ns
			Loading: 15pF		10	ns
tCLQX	tHO	Output Hold Time	0			ns
tHLCH*		HOLD# Active Setup Time (relative to SCLK)	8			ns
tCHHH*		HOLD# Active Hold Time (relative to SCLK)	8			ns
tHHCH*		HOLD# Not Active Setup Time (relative to SCLK)	8			ns
tCHHL*		HOLD# Not Active Hold Time (relative to SCLK)	8			ns
tHHQX*	tLZ	HOLD# to Output Low-Z			10	ns
tHLQZ*	tHZ	HOLD# to Output High-Z			10	ns
tWHSL <sup>(3)</sup>		Write Protect Setup Time	10			ns
tSHWL <sup>(3)</sup>		Write Protect Hold Time	10			ns
tDP		CS# High to Deep Power-down Mode			10	us
tDPDD		Delay Time for Release from Deep Power-Down Mode once entering Deep Power-Down Mode	30			us
tCRDP		CS# Toggling Time before Release from Deep Power-Down Mode	20			ns
tRDP		Recovery Time for Release from deep power down mode	35			us
tW		Write Status Register Cycle Time		10	30	ms
tWMS		Write Status Register Cycle Time for Mode Switching			20	us

\* Depends on part number options.

## Ultra Low Power Mode - Continued:

Symbol	Alt.	Parameter	Min.	Typ. <sup>(2)</sup>	Max.	Unit
tESL <sup>(8)</sup>		Erase Suspend Latency			60	us
tPSL <sup>(8)</sup>		Program Suspend Latency			60	us
tPRS <sup>(4)</sup>		Latency between Program Resume and next Suspend	0.3			us
tERS <sup>(5)</sup>		Latency between Erase Resume and next Suspend	0.3			us
tBP		Byte-Program		40	100	us
		Byte-Program (Applied V <sub>h</sub> v at WP# pin)		32	100	us
tPP		Page Program Cycle Time		3.2	10	ms
		Page Program Cycle Time (Applied V <sub>h</sub> v at WP# pin)		0.6	3.6	ms
tSE		Sector Erase Cycle Time		58	240	ms
		Sector Erase Cycle Time (Applied V <sub>h</sub> v at WP# pin)		36	210	ms
tBE32K		Block Erase (32KB) Cycle Time		0.4	1.75	s
		Block Erase (32KB) Cycle Time (Applied V <sub>h</sub> v at WP# pin)		0.22	1.05	s
tBE		Block Erase (64KB) Cycle Time		0.8	3.5	s
		Block Erase (64KB) Cycle Time (Applied V <sub>h</sub> v at WP# pin)		0.43	2.1	s
tCE		Chip Erase Cycle Time		15	30	s
		Chip Erase Cycle Time (Applied V <sub>h</sub> v at WP# pin)		5.4	16	s

High Performance Mode (Configuration Register-2 bit1= 1):

Symbol	Alt.	Parameter	Min.	Typ. <sup>(2)</sup>	Max.	Unit
fSCLK	fC	Clock Frequency for the following instructions: FAST_READ, RDSFDP, PP, SE, BE32K, BE, CE, DP, RES, WREN, WRDI, RDID, RDSR, WRSR <sup>(7)</sup>	D.C.		108	MHz
fRSCLK	fR	Clock Frequency for READ instructions			50	MHz
fTSCLK	fT	Clock Frequency for 2READ/DREAD instructions			104	MHz
	fQ	Clock Frequency for 4READ/QREAD instructions			104	MHz
f4PP		Clock Frequency for 4PP (Quad page program)			104	MHz
tCH <sup>(7)</sup>	tCLH	Clock High Time	Others (fSCLK)	45% x (1/fSCLK)		ns
			Normal Read (fRSCLK)	9		ns
tCL <sup>(7)</sup>	tCLL	Clock Low Time	Others (fSCLK)	45% x (1/fSCLK)		ns
			Normal Read (fRSCLK)	9		ns
tCLCH <sup>(9)</sup>		Clock Rise Time (peak to peak)	0.1			V/ns
tCHCL <sup>(9)</sup>		Clock Fall Time (peak to peak)	0.1			V/ns
tSLCH	tCSS	CS# Active Setup Time (relative to SCLK)	5			ns
tCHSL		CS# Not Active Hold Time (relative to SCLK)	5			ns
tDVCH	tDSU	Data In Setup Time	2			ns
tCHDX	tDH	Data In Hold Time	3			ns
tCHSH		CS# Active Hold Time (relative to SCLK)	5			ns
tSHCH		CS# Not Active Setup Time (relative to SCLK)	5			ns
tSHSL	tCSH	CS# Deselect Time	From Read to next Read	15		ns
			From Write/Erase/Program to Read Status Register	30		ns
tSHQZ <sup>(9)</sup>	tDIS	Output Disable Time			8	ns
tCLQV	tV	Clock Low to Output Valid Loading: 30pF/15pF	Loading: 30pF		8	ns
			Loading: 15pF		6	ns
tCLQX	tHO	Output Hold Time	0			ns
tHLCH*		HOLD# Active Setup Time (relative to SCLK)	8			ns
tCHHH*		HOLD# Active Hold Time (relative to SCLK)	8			ns
tHHCH*		HOLD# Not Active Setup Time (relative to SCLK)	8			ns
tCHHL*		HOLD# Not Active Hold Time (relative to SCLK)	8			ns
tHHQX*	tLZ	HOLD# to Output Low-Z			10	ns
tHLQZ*	tHZ	HOLD# to Output High-Z			10	ns
tWHSL <sup>(3)</sup>		Write Protect Setup Time	10			ns
tSHWL <sup>(3)</sup>		Write Protect Hold Time	10			ns
tDP		CS# High to Deep Power-down Mode			10	us
tDPDD		Delay Time for Release from Deep Power-Down Mode once entering Deep Power-Down Mode	30			us
tCRDP		CS# Toggling Time before Release from Deep Power- Down Mode	20			ns
tRDP		Recovery Time for Release from deep power down mode	35			us
tW		Write Status Register Cycle Time		9.5	20	ms
tWMS		Write Status Register Cycle Time for Mode Switching			20	us

\* Depends on part number options.

High Performance Mode - Continued:

Symbol	Alt.	Parameter	Min.	Typ. <sup>(2)</sup>	Max.	Unit
tESL <sup>(8)</sup>		Erase Suspend Latency			40	us
tPSL <sup>(8)</sup>		Program Suspend Latency			40	us
tPRS <sup>(4)</sup>		Latency between Program Resume and next Suspend	0.3			us
tERS <sup>(5)</sup>		Latency between Erase Resume and next Suspend	0.3			us
tBP		Byte-Program		32	100	us
		Byte-Program (Applied Vhv at WP# pin)		32	100	us
tPP		Page Program Cycle Time		0.85	4	ms
		Page Program Cycle Time (Applied Vhv at WP# pin)		0.6	3.6	ms
tSE		Sector Erase Cycle Time		40	240	ms
		Sector Erase Cycle Time (Applied Vhv at WP# pin)		36	210	ms
tBE32K		Block Erase (32KB) Cycle Time		0.24	1.5	s
		Block Erase (32KB) Cycle Time (Applied Vhv at WP# pin)		0.22	1.05	s
tBE		Block Erase (64KB) Cycle Time		0.48	3	s
		Block Erase (64KB) Cycle Time (Applied Vhv at WP# pin)		0.43	2.1	s
tCE		Chip Erase Cycle Time		6	18	s
		Chip Erase Cycle Time (Applied Vhv at WP# pin)		5.4	16	s

Notes:

1. tCH + tCL must be greater than or equal to 1/ Frequency.
2. Typical values given for TA=25°C. Not 100% tested.
3. Only applicable as a constraint for a WRSR instruction when SRWD is set at 1.
4. Program operation may be interrupted as often as system request. The minimum timing of tPRS must be observed before issuing the next program suspend command. However, in order for an Program operation to make progress, tPRS ≥ 100us must be included in resume-to-suspend loop(s). Not 100% tested.
5. Erase operation may be interrupted as often as system request. The minimum timing of tERS must be observed before issuing the next erase suspend command. However, in order for an Erase operation to make progress, tERS ≥ 200us must be included in resume-to-suspend loop(s). The details are described in Macronix application notes. Not 100% tested.
6. Test condition is shown as ["Figure 49. Input Test Waveforms and Measurement Level"](#), ["Figure 50. Output Loading"](#).
7. WRSR speed max. is 33MHz when issuing WRSR for performance mode switch no matter High Performance Mode to Ultra Low Power Mode or Ultra Low Power Mode to High Performance Mode.
8. Latency time is required to complete Erase/Program Suspend operation until WIP bit is "0".
9. The value guaranteed by characterization, not 100% tested in production.

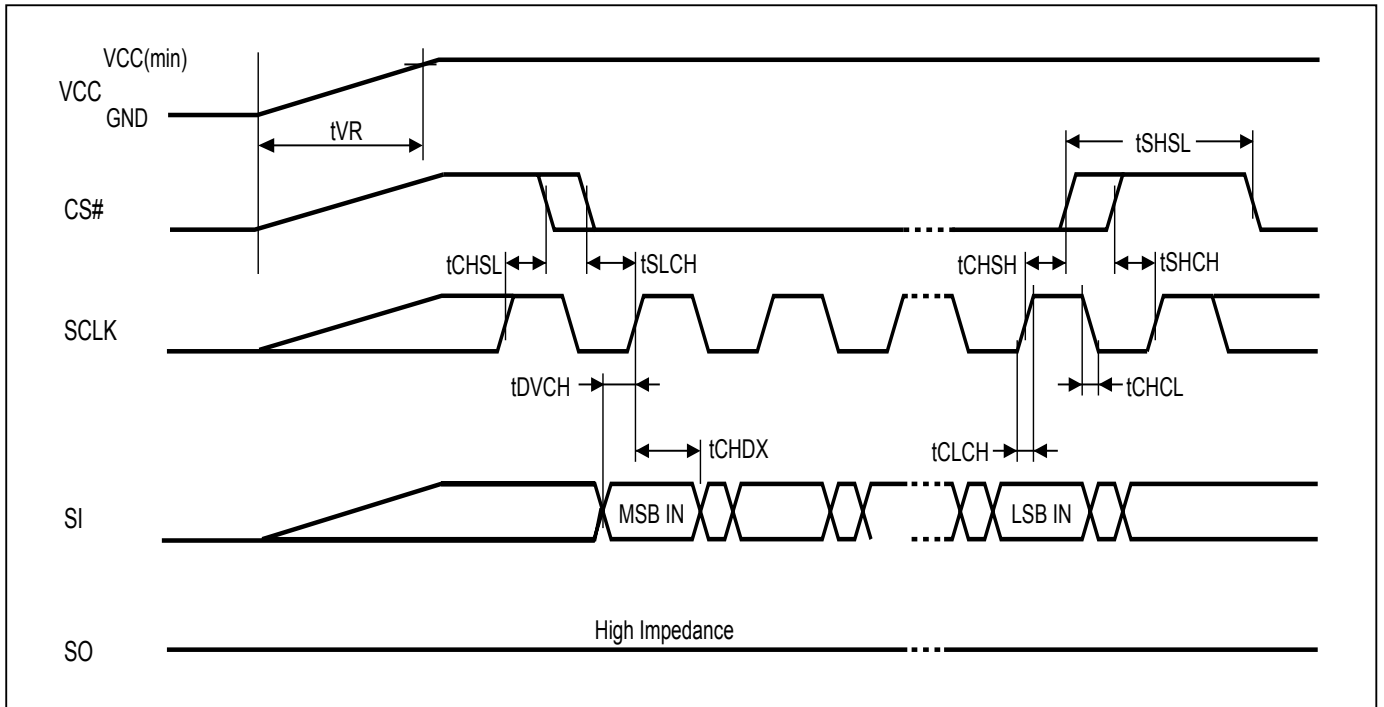
## 14. OPERATING CONDITIONS

### At Device Power-Up and Power-Down

AC timing illustrated in "[Figure 52. AC Timing at Device Power-Up](#)" and "[Figure 53. Power-Down Sequence](#)" are for the supply voltages and the control signals at device power-up and power-down. If the timing in the figures is ignored, the device will not operate correctly.

During power-up and power-down, CS# needs to follow the voltage applied on VCC to keep the device not to be selected. The CS# can be driven low when VCC reach  $V_{cc(min)}$  and wait a period of  $t_{VSL}$ .

**Figure 52. AC Timing at Device Power-Up**



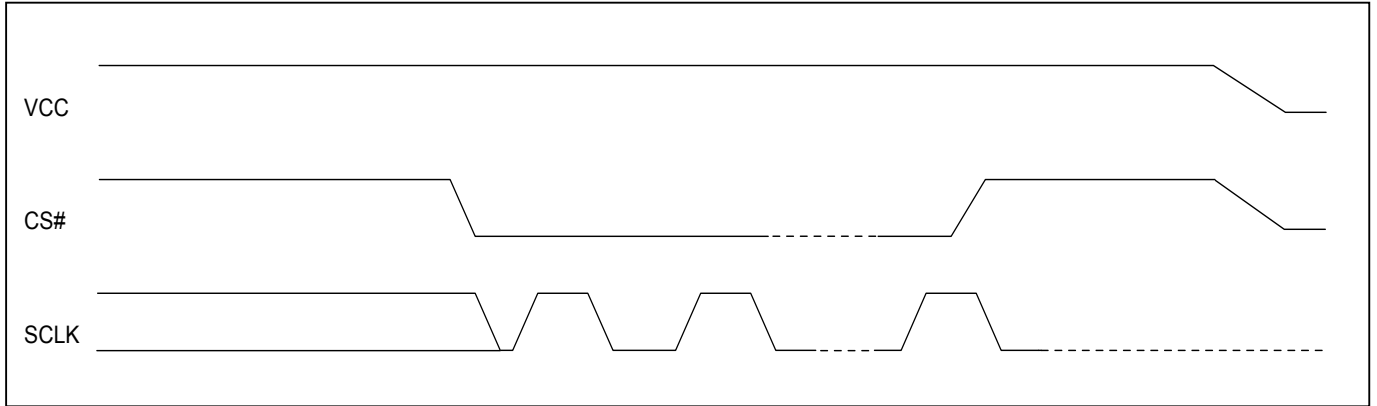
Symbol	Parameter	Notes	Min.	Max.	Unit
$t_{VR}$	VCC Rise Time	1		500000	us/V

Notes :

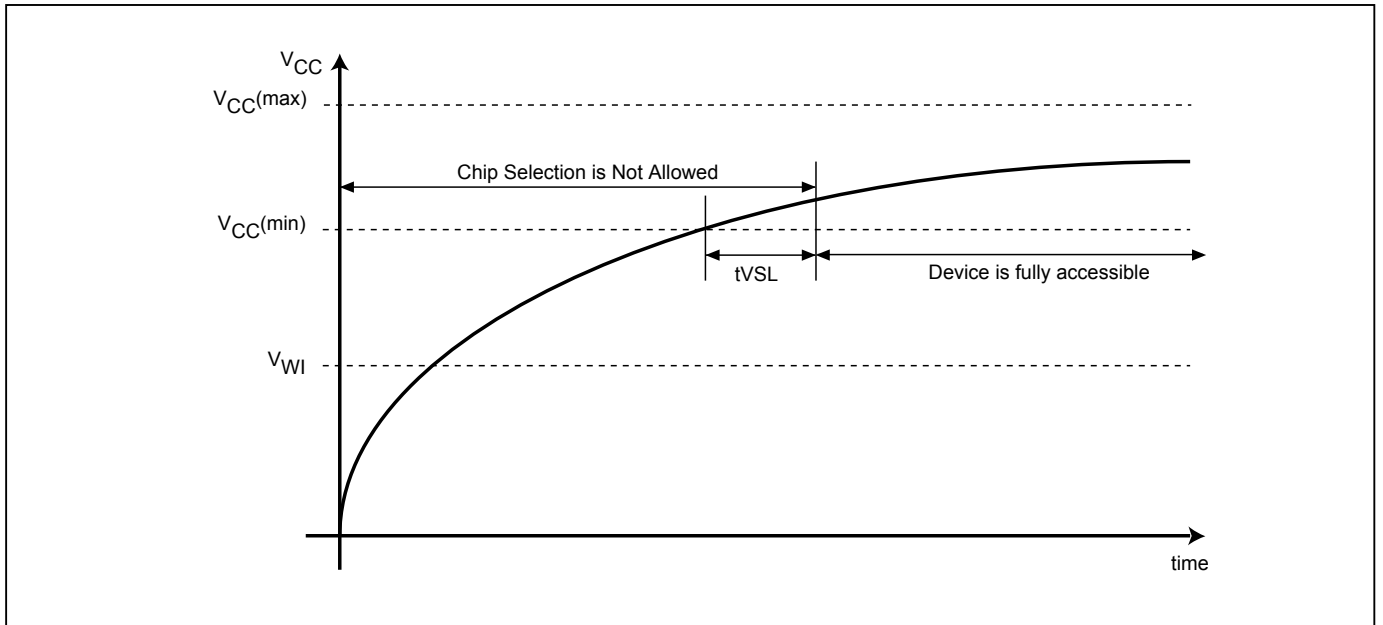
1. Sampled, not 100% tested.
2. For AC spec  $t_{CHSL}$ ,  $t_{SLCH}$ ,  $t_{DVCH}$ ,  $t_{CHDX}$ ,  $t_{SHSL}$ ,  $t_{CHSH}$ ,  $t_{SHCH}$ ,  $t_{CHCL}$ ,  $t_{CLCH}$  in the figure, please refer to "[Table 17. AC Characteristics](#)".

**Figure 53. Power-Down Sequence**

During power-down, CS# needs to follow the voltage drop on VCC to avoid mis-operation.



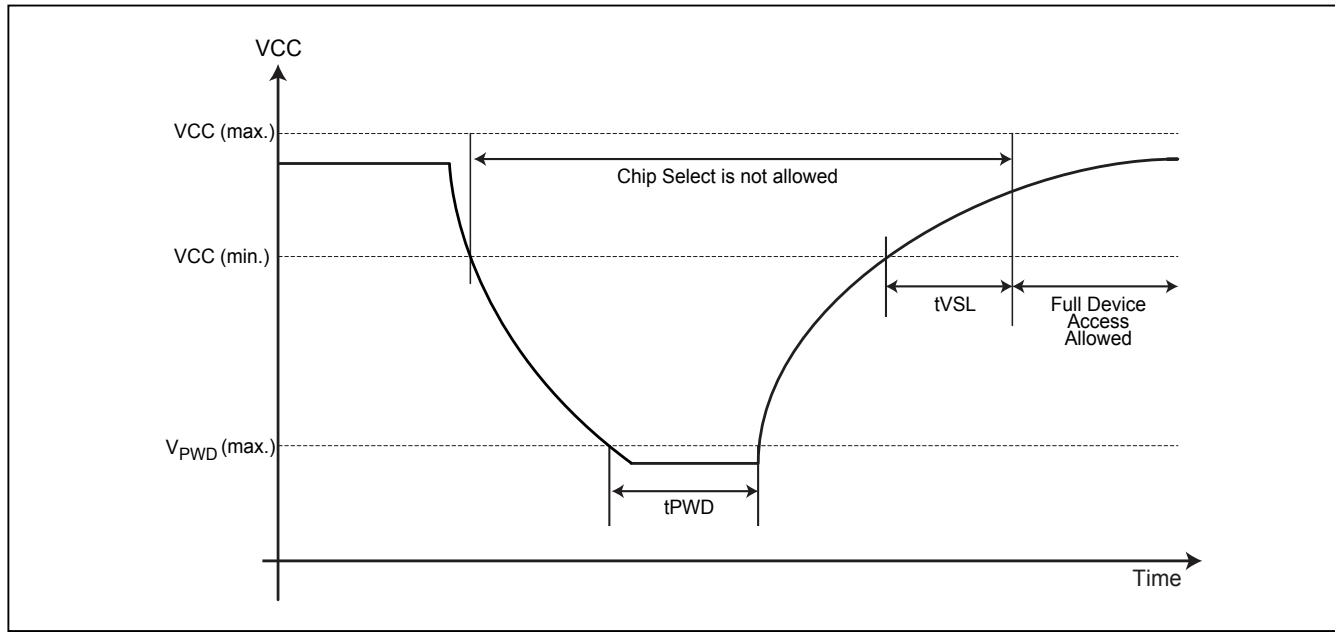
**Figure 54. Power-up Timing**





**Figure 55. Power Up/Down and Voltage Drop**

When powering down the device, VCC must drop below  $V_{PVD}$  for at least  $t_{PVD}$  to ensure the device will initialize correctly during power up. Please refer to "Figure 55. Power Up/Down and Voltage Drop" and "Table 18. Power-Up/Down Voltage and Timing" below for more details.



**Table 18. Power-Up/Down Voltage and Timing**

Symbol	Parameter	Min.	Max.	Unit	
$t_{VSL}$	VCC(min.) to device operation	800		us	
VWI	Write Inhibit Voltage	MX25R (1.65V-3.6V)		V	
$V_{PVD}$	VCC voltage needed to below $V_{PVD}$ for ensuring initialization will occur	Deep Power Mode		0.4	V
		others		0.9	V
$t_{PVD}$	The minimum duration for ensuring initialization will occur	300		us	

**Note:** These parameters are characterized only.

### 14-1. Initial Delivery State

The device is delivered with the memory array erased: all bits are set to 1 (each byte contains FFh). The Status Register contains 00h (all Status Register bits are 0).

## 15. ERASE AND PROGRAMMING PERFORMANCE

Ultra Low Power Mode (Configuration Register-2 bit1= 0):

Parameter	Min.	Typ. <sup>(1)</sup>	Max. <sup>(2)</sup>	Unit
Write Status Register Cycle Time		10	30	ms
Sector Erase Cycle Time (4KB)		58	240	ms
Sector Erase Cycle Time (4KB) (Applied V <sub>h</sub> v at WP# pin)		36	210	ms
Block Erase Cycle Time (32KB)		0.4	1.75	s
Block Erase Cycle Time (32KB) (Applied V <sub>h</sub> v at WP# pin)		0.22	1.05	s
Block Erase Cycle Time (64KB)		0.8	3.5	s
Block Erase Cycle Time (64KB) (Applied V <sub>h</sub> v at WP# pin)		0.43	2.1	s
Chip Erase Cycle Time		15	30	s
Chip Erase Cycle Time (Applied V <sub>h</sub> v at WP# pin)		5.4	16	s
Byte Program Time		40 <sup>(4)</sup>	100	us
Byte Program Time (Applied V <sub>h</sub> v at WP# pin)		32	100	us
Page Program Time		3.2 <sup>(4)</sup>	10	ms
Page Program Time (Applied V <sub>h</sub> v at WP# pin)		0.6	3.6	ms
Erase/Program Cycle	100,000			cycles

High Performance Mode (Configuration Register-2 bit1= 1):

Parameter	Min.	Typ. <sup>(1)</sup>	Max. <sup>(2)</sup>	Unit
Write Status Register Cycle Time		9.5	20	ms
Sector Erase Cycle Time (4KB)		40	240	ms
Sector Erase Cycle Time (4KB) (Applied V <sub>h</sub> v at WP# pin)		36	210	ms
Block Erase Cycle Time (32KB)		0.24	1.5	s
Block Erase Cycle Time (32KB) (Applied V <sub>h</sub> v at WP# pin)		0.22	1.05	s
Block Erase Cycle Time (64KB)		0.48	3	s
Block Erase Cycle Time (64KB) (Applied V <sub>h</sub> v at WP# pin)		0.43	2.1	s
Chip Erase Cycle Time		6	18	s
Chip Erase Cycle Time (Applied V <sub>h</sub> v at WP# pin)		5.4	16	s
Byte Program Time		32 <sup>(4)</sup>	100	us
Byte Program Time (Applied V <sub>h</sub> v at WP# pin)		32	100	us
Page Program Time		0.85 <sup>(4)</sup>	4	ms
Page Program Time (Applied V <sub>h</sub> v at WP# pin)		0.6	3.6	ms
Erase/Program Cycle	100,000			cycles

Notes:

1. Typical erase assumes the following conditions: 25°C, typical operation voltage and all zero pattern.
2. Under worst conditions of 85°C and minimum operation voltage.
3. System-level overhead is the time required to execute the first-bus-cycle sequence for the programming command.
4. Typical program assumes the following conditions: 25°C, typical V<sub>CC</sub>, and checkerboard pattern.

**16. ERASE AND PROGRAMMING PERFORMANCE (Factory Mode)**

Parameter	Min.	Typ.	Max.	Unit
Sector Erase Cycle Time (4KB)		19		ms
Block Erase Cycle Time (32KB)		154		ms
Block Erase Cycle Time (64KB)		295		ms
Chip Erase Cycle Time		1.4		s
Page Program Time		760		us
Erase/Program Cycle			50	cycles

## Notice:

1. Factory Mode must be operated in 20°C to 45°C and VCC 3.0V-3.6V.
2. In Factory mode, the Erase/Program operation should not exceed 50 cycles, and "ERASE AND PROGRAMMING PERFORMANCE" 100k cycles will not be affected.
3. During factory mode, Suspend command (B0) cannot be executed.

**17. LATCH-UP CHARACTERISTICS**

	Min.	Max.
Input Voltage with respect to GND on all power pins, SI, CS#	-1.0V	2 VCCmax
Input Voltage with respect to GND on SO	-1.0V	VCC + 1.0V
Current	-100mA	+100mA

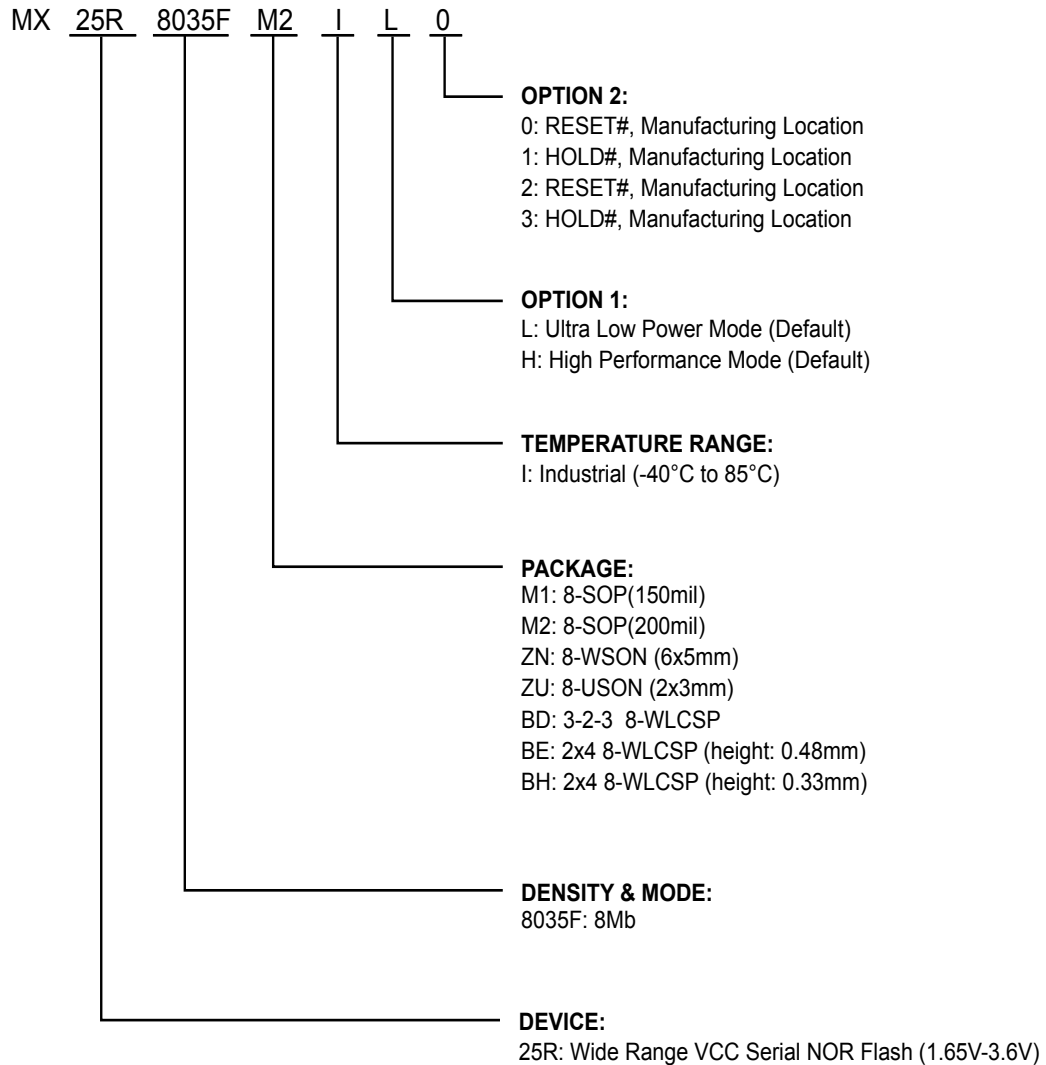
Includes all pins except VCC. Test conditions: VCC = typical operation voltage, one pin at a time.

**18. ORDERING INFORMATION**

Please contact Macronix regional sales for the latest product selection and available form factors.

<b>PART NO.</b>	<b>Voltage</b>	<b>Package</b>	<b>Temperature</b>	<b>RESET# / HOLD# pin</b>	<b>Default Mode</b>
MX25R8035FM1IL0	1.65V-3.6V	8-SOP (150mil)	-40°C to 85°C	RESET#	Ultra Low Power Mode
MX25R8035FM2IL0	1.65V-3.6V	8-SOP (200mil)	-40°C to 85°C	RESET#	Ultra Low Power Mode
MX25R8035FZUIL0	1.65V-3.6V	8-USON (2x3mm)	-40°C to 85°C	RESET#	Ultra Low Power Mode
MX25R8035FBDIL0	1.65V-3.6V	3-2-3 8-BALL WLCSP	-40°C to 85°C	RESET#	Ultra Low Power Mode
MX25R8035FBEIL0	1.65V-3.6V	2x4 8-BALL WLCSP (height: 0.48mm)	-40°C to 85°C	RESET#	Ultra Low Power Mode
MX25R8035FM2IH0	1.65V-3.6V	8-SOP (200mil)	-40°C to 85°C	RESET#	High Performance Mode
MX25R8035FZUIH0	1.65V-3.6V	8-USON (2x3mm)	-40°C to 85°C	RESET#	High Performance Mode
MX25R8035FZUIH1	1.65V-3.6V	8-USON (2x3mm)	-40°C to 85°C	HOLD#	High Performance Mode
MX25R8035FM1IH1	1.65V-3.6V	8-SOP (150mil)	-40°C to 85°C	HOLD#	High Performance Mode
MX25R8035FM2IH1	1.65V-3.6V	8-SOP (200mil)	-40°C to 85°C	HOLD#	High Performance Mode
MX25R8035FZUIH2	1.65V-3.6V	8-USON (2x3mm)	-40°C to 85°C	RESET#	High Performance Mode
MX25R8035FZUIH3	1.65V-3.6V	8-USON (2x3mm)	-40°C to 85°C	HOLD#	High Performance Mode
MX25R8035FBHIH2	1.65V-3.6V	2x4 8-BALL WLCSP (height: 0.33mm)	-40°C to 85°C	RESET#	High Performance Mode

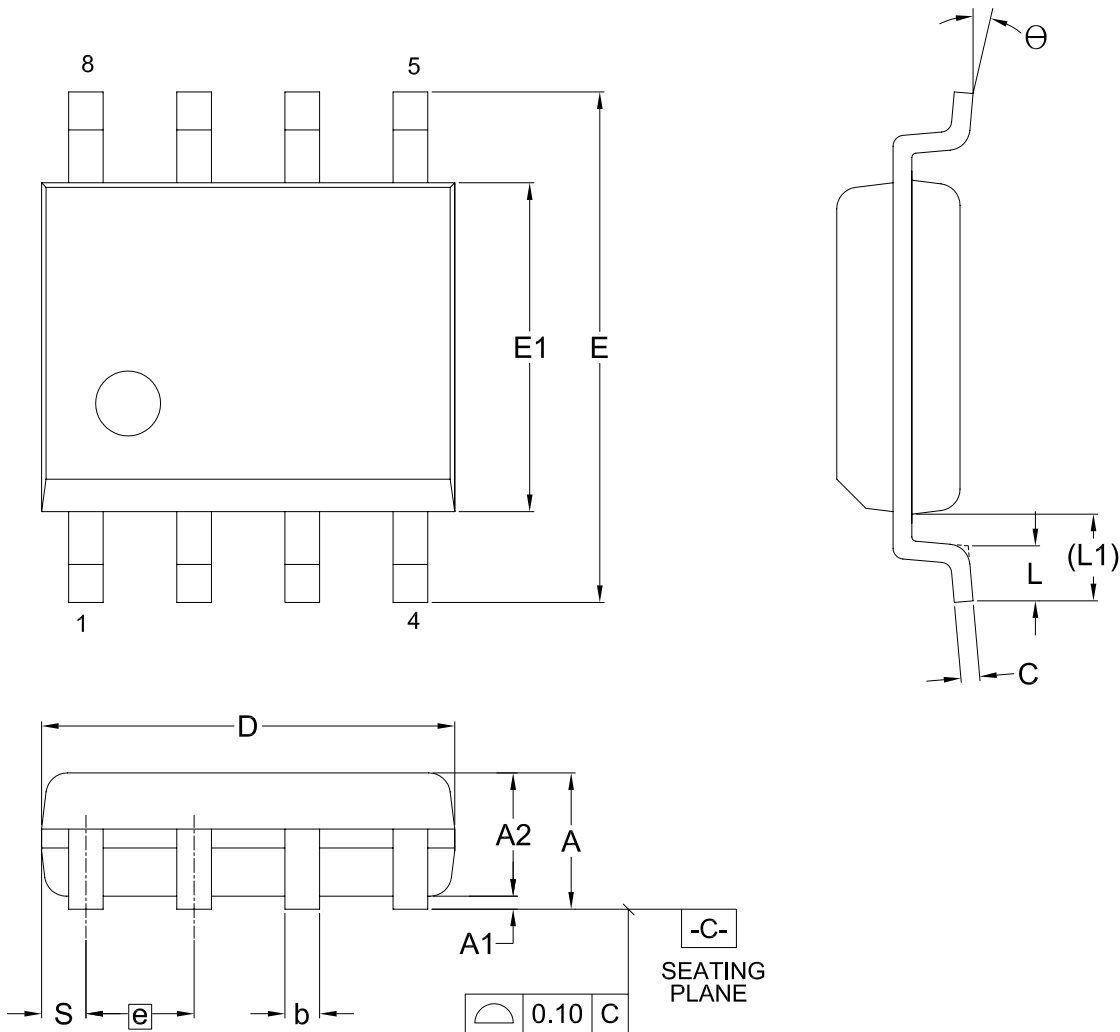
## 19. PART NAME DESCRIPTION



**20. PACKAGE INFORMATION**

**20-1. 8 PIN SOP (150mil)**

Doe. Title: Package Outline for SOP 8L (150MIL)

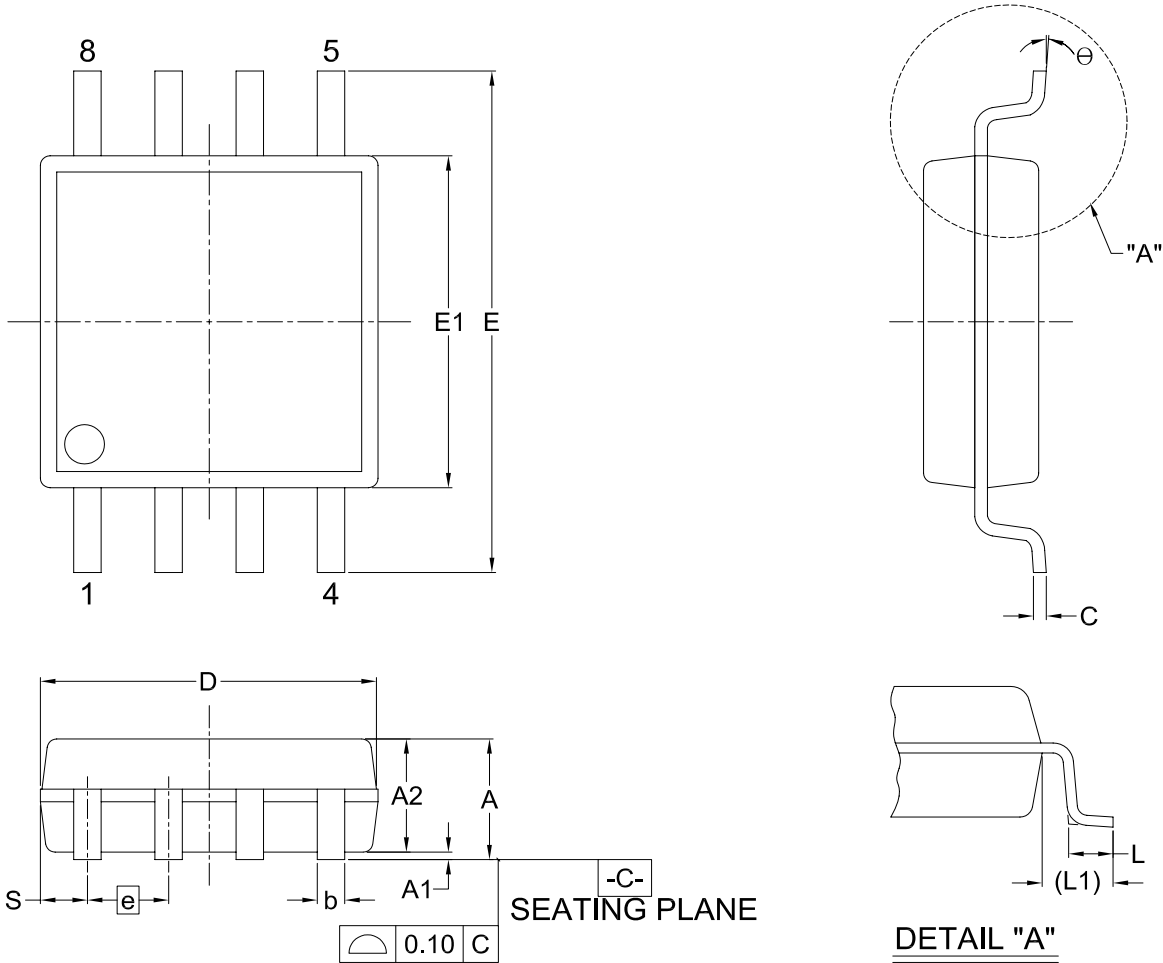


Dimensions (inch dimensions are derived from the original mm dimensions)

SYMBOL		A	A1	A2	b	C	D	E	E1	e	L	L1	S	θ
UNIT														
mm	Min.	---	0.10	1.35	0.36	0.15	4.77	5.80	3.80	---	0.46	0.85	0.41	0°
	Nom.	---	0.15	1.45	0.41	0.20	4.90	5.99	3.90	1.27	0.66	1.05	0.54	5°
	Max.	1.75	0.20	1.55	0.51	0.25	5.03	6.20	4.00	---	0.86	1.25	0.67	8°
Inch	Min.	---	0.004	0.053	0.014	0.006	0.188	0.228	0.150	---	0.018	0.033	0.016	0°
	Nom.	---	0.006	0.057	0.016	0.008	0.193	0.236	0.154	0.050	0.026	0.041	0.021	5°
	Max.	0.069	0.008	0.061	0.020	0.010	0.198	0.244	0.158	---	0.034	0.049	0.026	8°

**20-2. 8 PIN SOP (200mil)**

Doc. Title: Package Outline for SOP 8L 200MIL (official name - 209MIL)

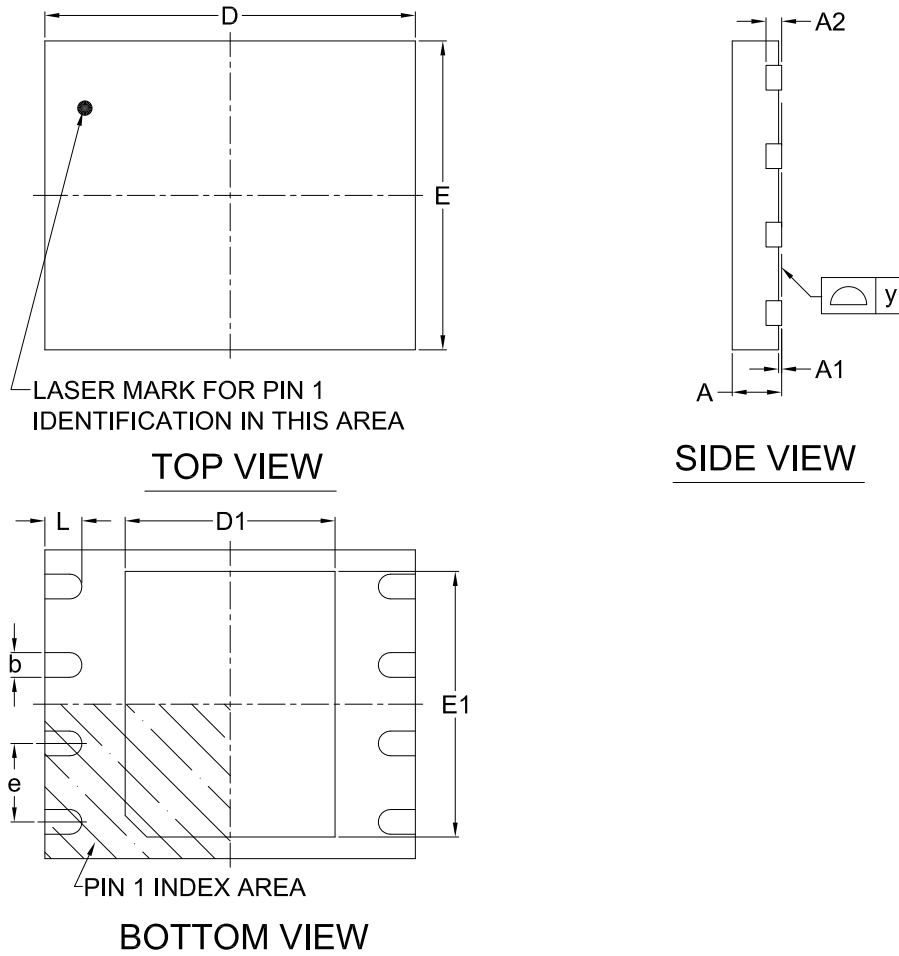


Dimensions (inch dimensions are derived from the original mm dimensions)

SYMBOL		A	A1	A2	b	C	D	E	E1	e	L	L1	S	$\theta$
UNIT														
mm	Min.	1.75	0.05	1.70	0.36	0.19	5.13	7.70	5.18	—	0.50	1.21	0.62	0°
	Nom.	1.95	0.15	1.80	0.41	0.20	5.23	7.90	5.28	1.27	0.65	1.31	0.74	5°
	Max.	2.16	0.20	1.91	0.51	0.25	5.33	8.10	5.38	—	0.80	1.41	0.88	8°
Inch	Min.	0.069	0.002	0.067	0.014	0.007	0.202	0.303	0.204	—	0.020	0.048	0.024	0°
	Nom.	0.077	0.006	0.071	0.016	0.008	0.206	0.311	0.208	0.050	0.026	0.052	0.029	5°
	Max.	0.085	0.008	0.075	0.020	0.010	0.210	0.319	0.212	—	0.031	0.056	0.035	8°

**20-3. 8 Land WSON (6x5mm)**

Doc. Title: Package Outline for WSON 8L (6x5x0.8MM, LEAD PITCH 1.27MM)



Note:

This package has an exposed metal pad underneath the package. It is recommended to leave the metal pad floating or to connect it to the same ground as the GND pin of the package. Do not connect the metal pad to any other voltage or signal line on the PCB. Avoid placing vias or traces underneath the metal pad. Connection of this metal pad to any other voltage or signal line can result in shorts and/or electrical malfunction of the device.

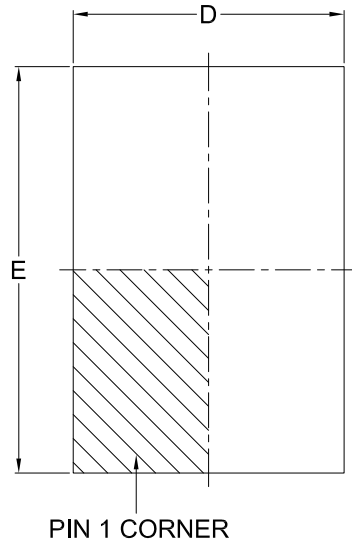
Dimensions (inch dimensions are derived from the original mm dimensions)

SYMBOL		A	A1	A2	b	D	D1	E	E1	L	e	y
UNIT												
mm	Min.	0.70	--	--	0.35	5.90	3.35	4.90	3.95	0.55	--	0.00
	Nom.	--	--	0.20	0.40	6.00	3.40	5.00	4.00	0.60	1.27	--
	Max.	0.80	0.05	--	0.48	6.10	3.45	5.10	4.05	0.65	--	0.05
Inch	Min.	0.028	--	--	0.014	0.232	0.132	0.193	0.156	0.022	--	0.00
	Nom.	--	--	0.008	0.016	0.236	0.134	0.197	0.157	0.024	0.05	--
	Max.	0.032	0.002	--	0.019	0.240	0.136	0.201	0.159	0.026	--	0.002

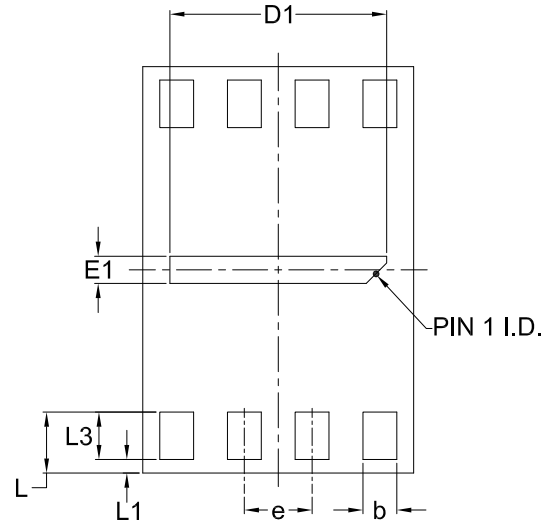


**20-4. 8 Land USON (2x3mm)**

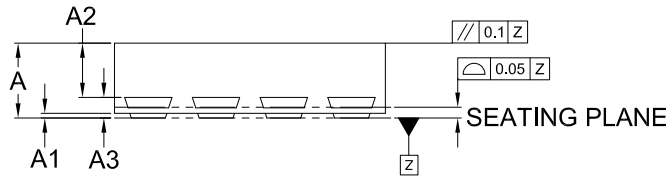
Doc. Title: Package Outline for USON 8L (2x3x0.6MM, LEAD PITCH 0.5MM)



TOP VIEW



BOTTOM VIEW



SIDE VIEW

Note:

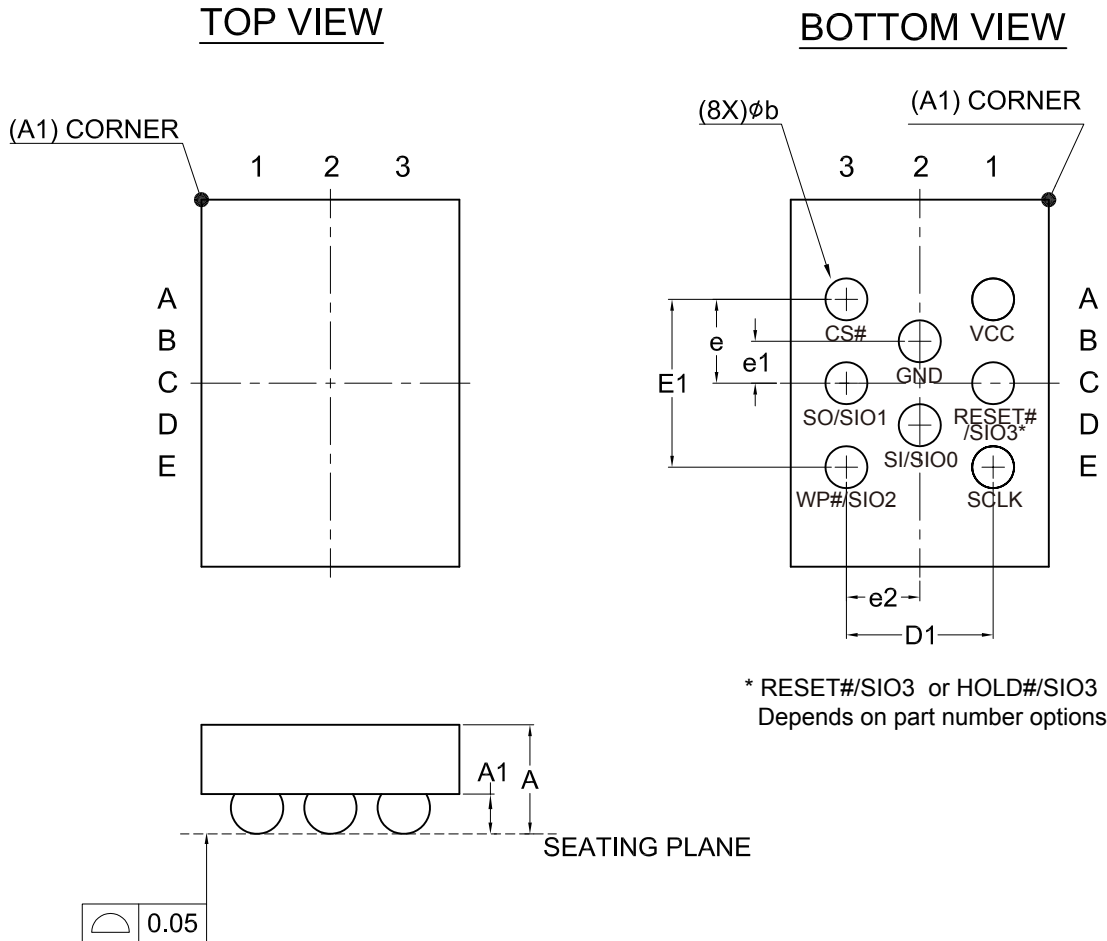
This package has an exposed metal pad underneath the package. It is recommended to leave the metal pad floating or to connect it to the same ground as the GND pin of the package. Do not connect the metal pad to any other voltage or signal line on the PCB. Avoid placing vias or traces underneath the metal pad. Connection of this metal pad to any other voltage or signal line can result in shorts and/or electrical malfunction of the device.

Dimensions (inch dimensions are derived from the original mm dimensions)

SYMBOL		A	A1	A2	A3	b	D	D1	E	E1	e	L	L1	L3
UNIT														
mm	Min.	0.50	0	--	--	0.20	1.90	1.50	2.90	0.10	--	0.40	0	0.30
	Nom.	0.55	0.035	0.40	0.152	0.25	2.00	1.60	3.00	0.20	0.50	0.45	--	0.40
	Max.	0.60	0.05	0.425	--	0.30	2.10	1.70	3.10	0.30	--	0.50	0.15	0.50
Inch	Min.	0.020	0	--	--	0.008	0.075	0.059	0.114	0.004	--	0.016	0	0.012
	Nom.	0.022	0.0014	0.016	0.0060	0.010	0.079	0.063	0.118	0.008	0.020	0.018	--	0.016
	Max.	0.024	0.002	0.0167	--	0.012	0.083	0.067	0.122	0.012	--	0.020	0.006	0.020

20-5. 3-2-3 Ball Array 8-BALL BGA (WLCSP)

**Title:** Package Outline for 8BALL WLCSP (BALL DIAMETER 0.21MM)



Dimensions (inch dimensions are derived from the original mm dimensions)

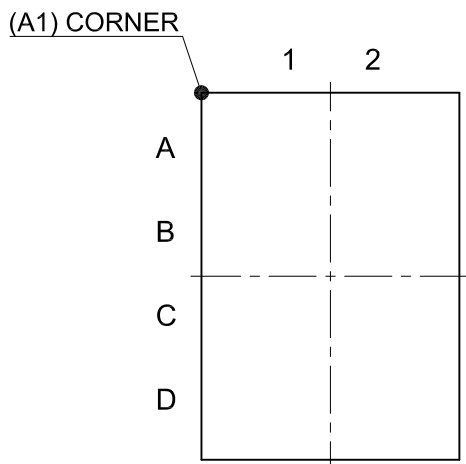
SYMBOL		A	A1	b	D1	E1	e	e1	e2
UNIT									
mm	Min.	0.42	0.140	0.18	---	---	---	---	---
	Nom.	0.47	0.165	0.21	0.70	0.80	0.40 BSC	0.20 BSC	0.35 BSC
	Max.	0.52	0.190	0.24	---	---	---	---	---
Inch	Min.	0.017	0.0050	0.007	---	---	---	---	---
	Nom.	0.019	0.0065	0.008	0.028	0.032	0.016 BSC	0.008 BSC	0.014 BSC
	Max.	0.021	0.0075	0.009	---	---	---	---	---

Please contact local Macronix sales channel for complete package dimensions.

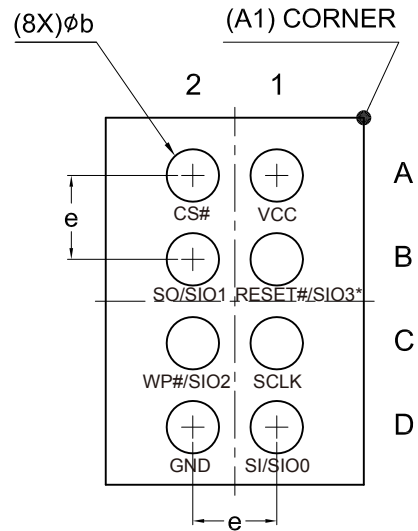
20-6. 2x4 Ball Array 8-BALL BGA (WLCSP) (Height: 0.48mm)

Title: Package Outline for 8BALL WLCSP (BALL DIAMETER 0.25MM)

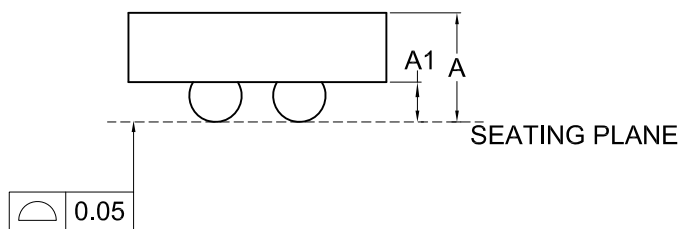
TOP VIEW



BOTTOM VIEW



\* RESET#/SIO3 or HOLD#/SIO3  
Depends on part number options



Dimensions (inch dimensions are derived from the original mm dimensions)

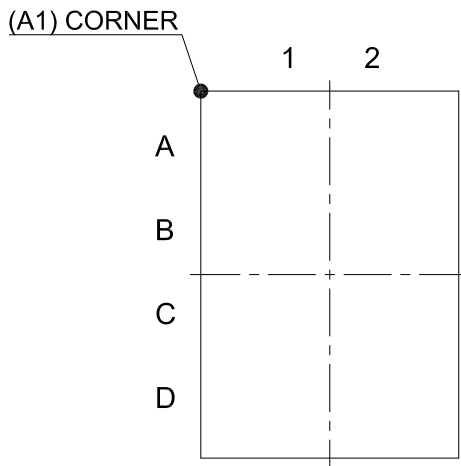
SYMBOL		A	A1	b	e
UNIT					
mm	Min.	0.38	0.110	0.22	---
	Nom.	0.43	0.130	0.25	0.40 BSC
	Max.	0.48	0.150	0.28	---
Inch	Min.	0.015	0.0043	0.009	---
	Nom.	0.017	0.0051	0.010	0.016 BSC
	Max.	0.019	0.0059	0.011	---

Please contact local Macronix sales channel for complete package dimensions.

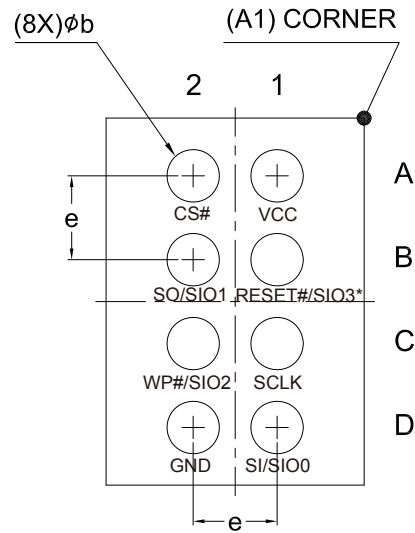
20-7. 2x4 Ball Array 8-BALL BGA (WLCSP) (Height: 0.33mm)

**Title:** Package Outline for 8BALL WLCSP (BALL DIAMETER 0.25MM)

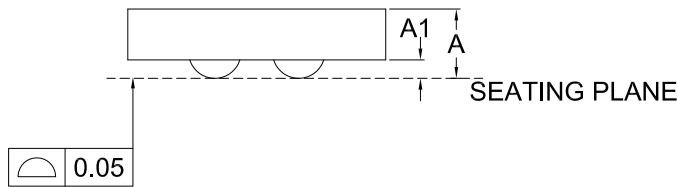
TOP VIEW



BOTTOM VIEW



\* RESET#/SIO3 or HOLD#/SIO3  
Depends on part number options



Dimensions (inch dimensions are derived from the original mm dimensions)

SYMBOL		A	A1	b	e
mm	Min.	0.270	0.048	0.22	---
	Nom.	0.300	0.068	0.25	0.40 BSC
	Max.	0.330	0.088	0.28	---
Inch	Min.	0.0106	0.0019	0.009	---
	Nom.	0.0118	0.0027	0.010	0.016 BSC
	Max.	0.0130	0.0035	0.011	---

Please contact local Macronix sales channel for complete package dimensions.

## 21. REVISION HISTORY

Revision No.	Description	Page	Date
0.01	<ol style="list-style-type: none"> <li>Added 32K byte block descriptions.</li> <li>Added 200mil 8-SOP package.</li> <li>Spec tightened.</li> <li>Revised Security OTP function.</li> <li>Updated suspend/resume descriptions.</li> <li>Updated part name.</li> <li>Update SFDP table</li> <li>Updated parameters for DC/AC Characteristics.</li> <li>Added notes 9-10 of "<a href="#">Table 17. AC Characteristics</a>".</li> <li>Revised the Configuration Register-2 bit 1 L/H Switch values.</li> <li>Modified Block Diagram</li> </ol>	P4,6,13,14,16, P19-20,28,47,67 P5,8,82-83,85 P4,7,40 P12,54-55 P56-59 P82-83 P63 P71-76,80 P76 P7,29,71-75,80 P9	JAN/06/2015
0.02	<ol style="list-style-type: none"> <li>Added WLCSP package and Part No.</li> <li>Removed the AC table note of 4READ/QREAD clock rate within 4Mb address</li> <li>Removed the AC Parameter tLH/tHL/tRES1</li> <li>Updated parameters for DC/AC Characteristics</li> <li>Updated Erase and Programming Performance</li> </ol>	P5,8,62-65, P82,83,88 P73-76  P73,75 P71-76 P80	MAR/19/2015
0.03	<ol style="list-style-type: none"> <li>Added 2.3V-3.6V and 1.65V-2.0V option</li> <li>Added HOLD# option</li> <li>Removed L/H Switch bit descriptions (default value)</li> </ol>	All All P30	APR/30/2015
0.04	<ol style="list-style-type: none"> <li>Updated SFDP table to JEDEC SFDP Rev. B Table</li> <li>Content correction</li> </ol>	P61 P70,75	MAY/14/2015
1.0	<ol style="list-style-type: none"> <li>Removed "Advanced Information" to align with the product status</li> <li>Optimized Fast Read Clock Frequency in High Performance Mode</li> <li>Revised Deep Power-down (DP) descriptions and figure.</li> <li>Added "<a href="#">Figure 39. High Voltage Operation Diagram</a>"</li> <li>Removed tRES2</li> <li>Modified VWI (2.3V-3.6V option)</li> <li>Modified REMS description</li> <li>Optimized typical tPRS/tERS values and descriptions</li> <li>Modified ISB1 value</li> <li>Removed Performance Enhance Mode Reset</li> </ol>	All P4,7,67,70 P52 P60 P23,68,70 P74 P24 P69,71 P66,67	AUG/07/2015
1.1	<ol style="list-style-type: none"> <li>Removed 2.3V-3.6V and 1.65V-2.0V option</li> <li>Modified ISB1 value (High Performance Mode)</li> <li>Updated Erase/Program Cycle value definition</li> <li>Modified tPRS/tERS descriptions</li> <li>Updated Ordering Information</li> </ol>	All P67 P4,75 P71 P77	SEP/23/2015
1.2	<ol style="list-style-type: none"> <li>Optimized Fast fSCLK in High Performance Mode</li> <li>Optimized fRSCLK in High Performance Mode</li> <li>Added a statement for product ordering information</li> <li>Added bit6 information</li> <li>Content modification</li> </ol>	P4,7,67,70 P70 P77 P30 P19,29,40,52,68,70	FEB/24/2016
1.3	<ol style="list-style-type: none"> <li>Optimized tREADY2/ISB2/tW values</li> <li>Updated tVR values</li> <li>Updated package outline for 8-land USON (2x3mm)</li> </ol>	P62,66-68,70,75 P72,74 P82	JUL/28/2016

Revision No.	Description	Page	Date
1.4	1. Added Part No. : MX25R8035FZUIH3 2. Optimized tCH/tCL values (Normal Read) 3. Updated the note for the internal pull up status of RESET#/SIO3, HOLD#/SIO3 and WP#/SIO2 4. Content correction.	P77,78 P70 P8  P29	JAN/06/2017
1.5	1. Added "Quad Input Page Program (QPP)" information  2. Added <i>"Figure 51. SCLK TIMING DEFINITION"</i> 3. Added Factory Mode information 4. Added Part No. : MX25R8035FBEIL0 & MX25R8035FBHIH2	P14,17,20,21, P52,57 P72 P18,23,64-68,83 P84,92	JUN/16/2017
1.6	1. Added Part No. : MX25R8035FZUIH2 2. Content and format modifications for 8-WSON package outline 3. Format modifications for package outline 4. Added Page Program Time (factory mode) values (typ.)	P84 P88 P86,87,89 P83	OCT/27/2017

Except for customized products which have been expressly identified in the applicable agreement, Macronix's products are designed, developed, and/or manufactured for ordinary business, industrial, personal, and/or household applications only, and not for use in any applications which may, directly or indirectly, cause death, personal injury, or severe property damages. In the event Macronix products are used in contradicted to their target usage above, the buyer shall take any and all actions to ensure said Macronix's product qualified for its actual use in accordance with the applicable laws and regulations; and Macronix as well as it's suppliers and/or distributors shall be released from any and all liability arisen therefrom.

Copyright© Macronix International Co., Ltd. 2014~2017. All rights reserved, including the trademarks and tradename thereof, such as Macronix, MXIC, MXIC Logo, MX Logo, Integrated Solutions Provider, Nbit, Macronix NBit, eLiteFlash, HybridNVM, HybridFlash, HybridXFlash, XtraROM, Phines, KH Logo, BE-SONOS, KSMC, Kingtech, MXSMIO, Macronix vEE, Macronix MAP, Rich Book, Rich TV, OctaRAM, OctaBus, OctaFlash and FitCAM. The names and brands of third party referred thereto (if any) are for identification purposes only.

For the contact and order information, please visit Macronix's Web site at: <http://www.macronix.com>