

4

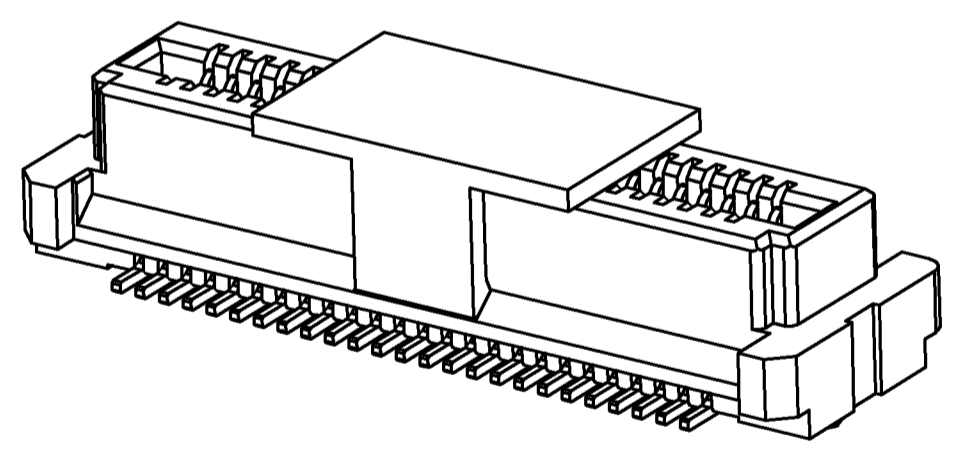
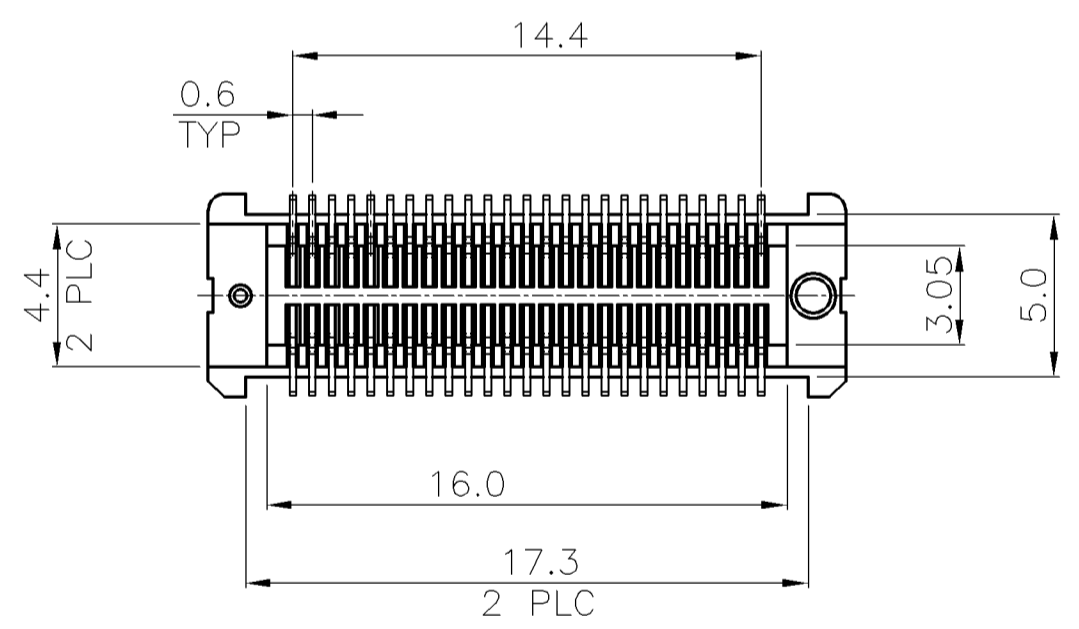
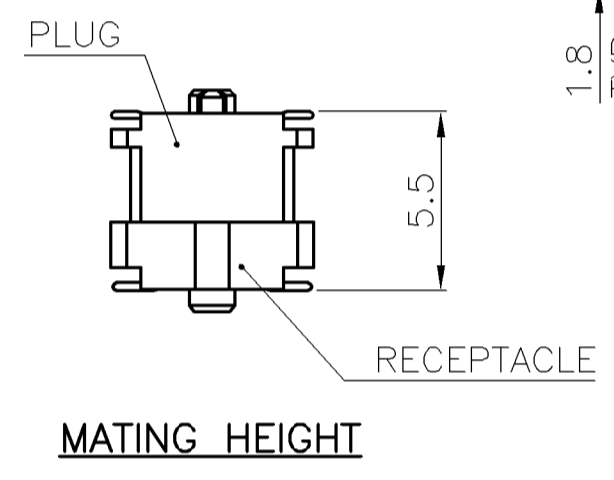
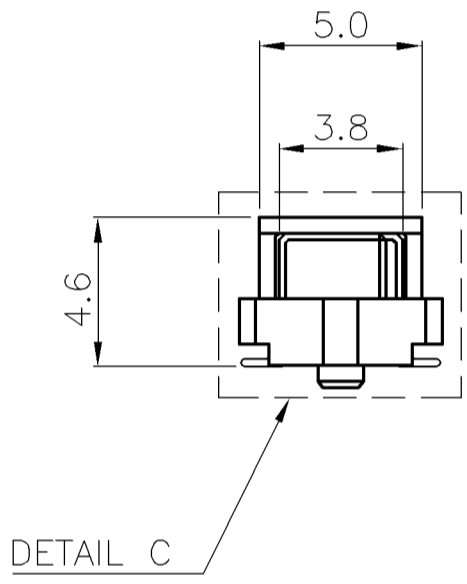
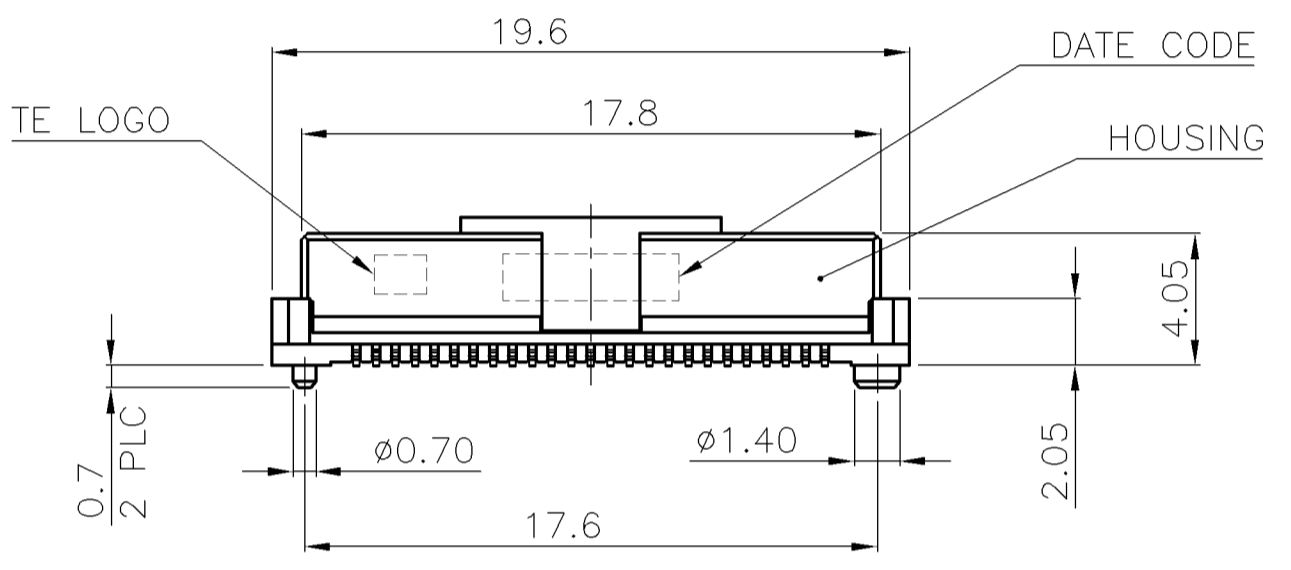
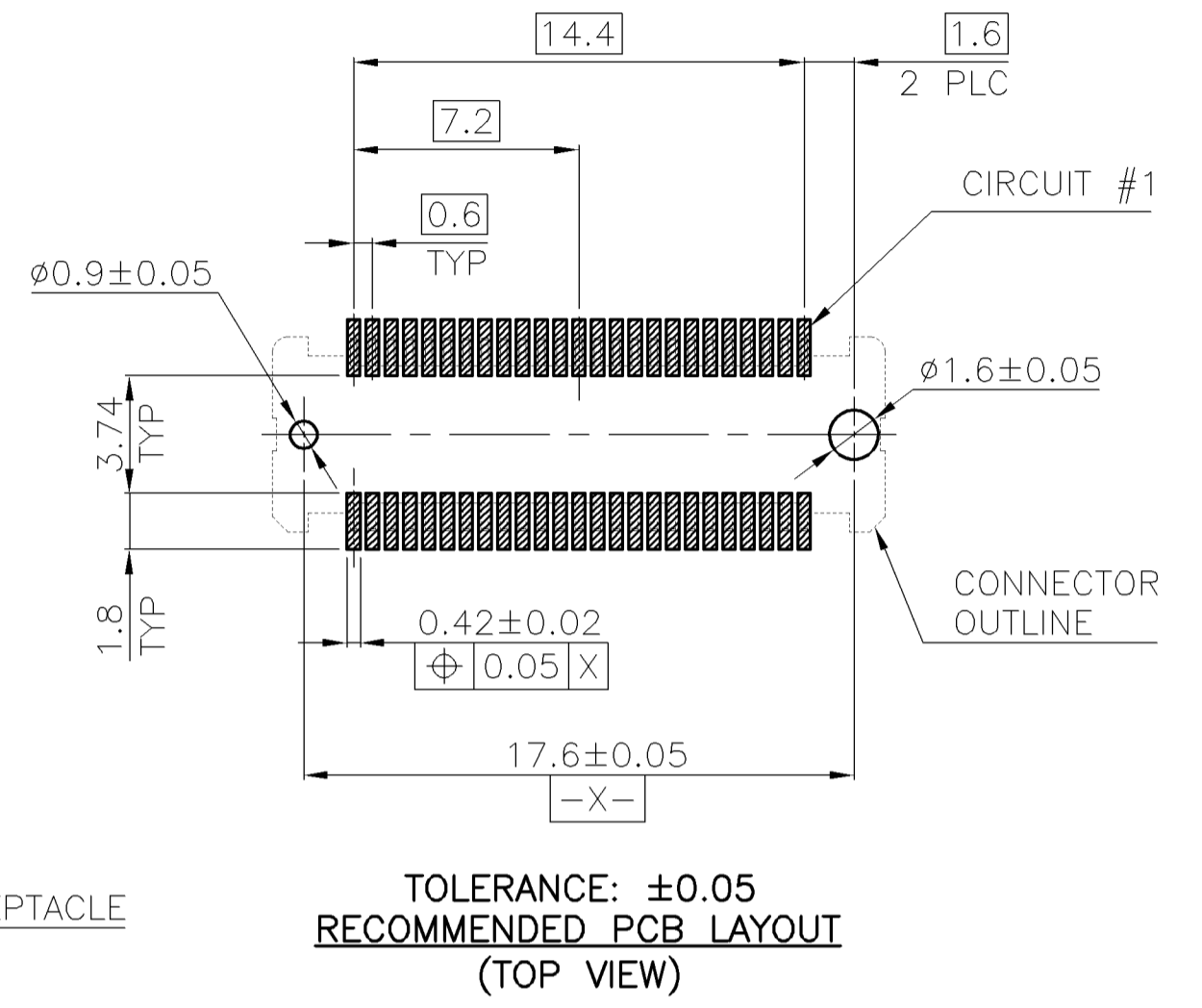
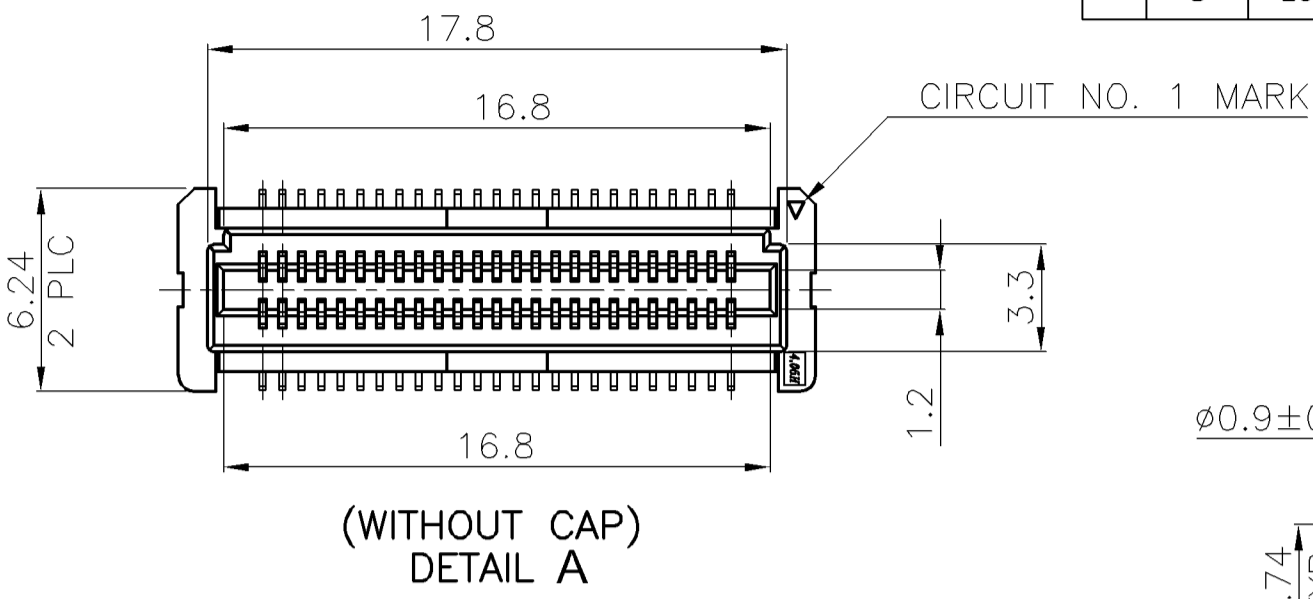
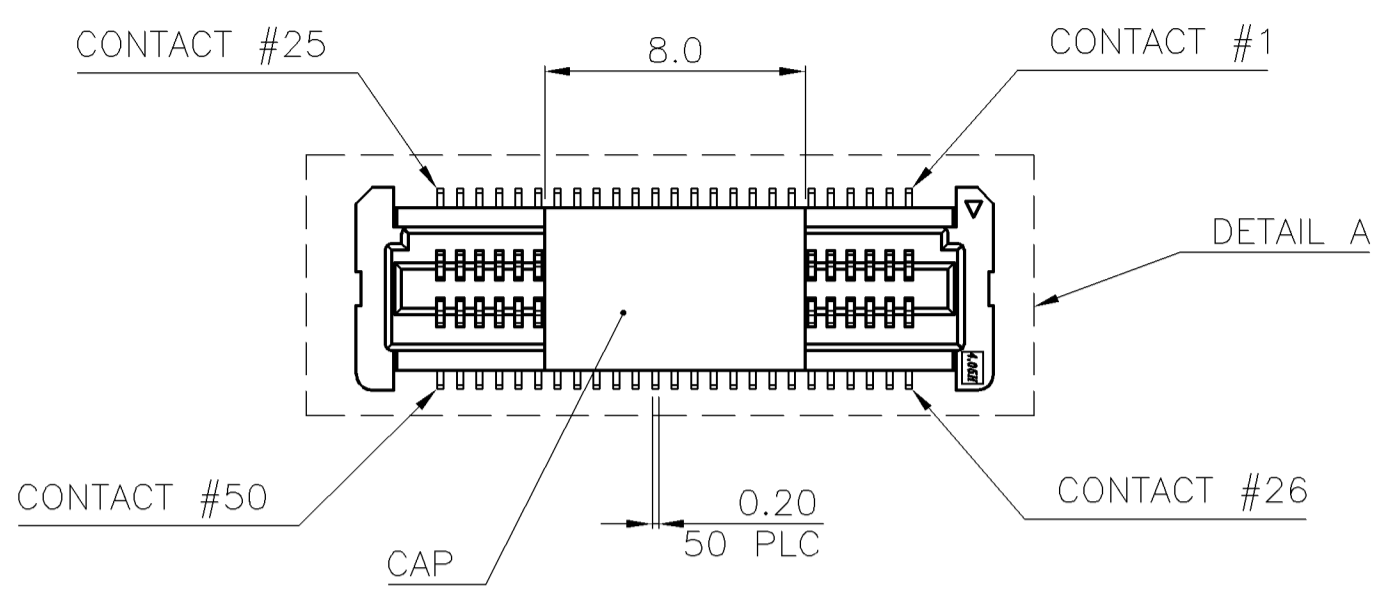
3

2

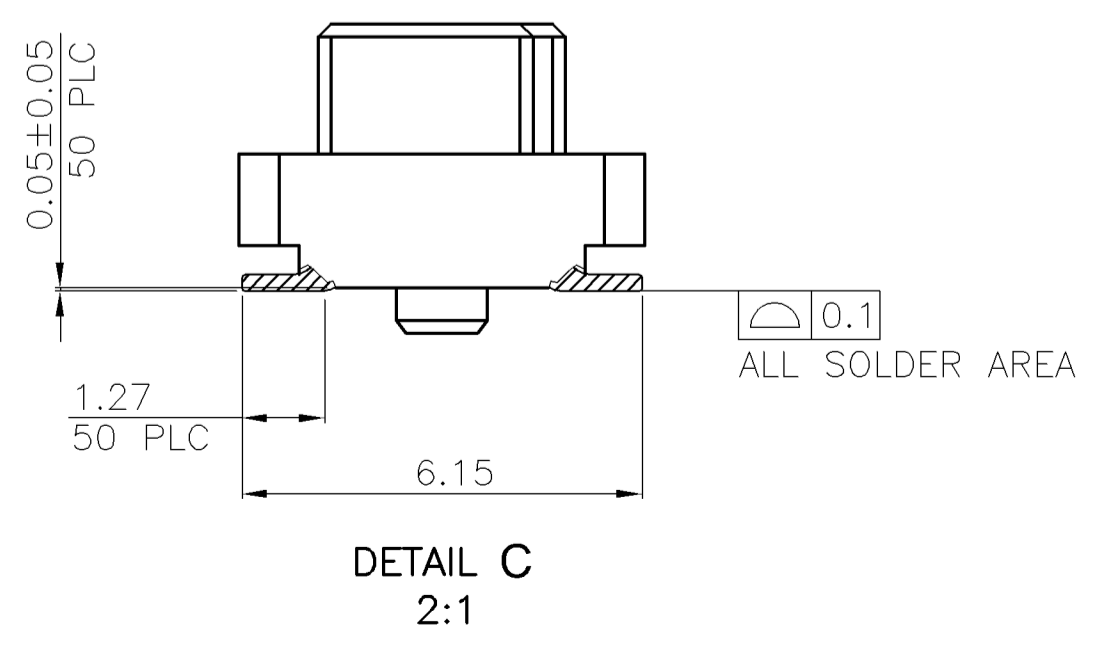
1

THIS DRAWING IS UNPUBLISHED. RELEASED FOR PUBLICATION
 © COPYRIGHT BY TYCO ELECTRONICS CORPORATION. ALL RIGHTS RESERVED.

LOC	DW	DIST	REVISIONS		
P	LTR	DESCRIPTION	DATE	DWN	APVD
	C	ECR-09-010047	04MAY09	AW	WK



- NOTES:
- MATERIAL:
 HOUSING: LCP WITH 35% GF, UL 94V-0, NATURAL COLOR.
 CAP: LCP WITH 35% GF, UL 94V-0, NATURAL COLOR.
 CONTACTS: PHOSPHOR BRONZE.
 - FINISH:
 CONTACTS: GOLD FLASH PLATED ON CONTACT AREA, 3.05µm [120µ"] MIN. MATTE-TIN ON SOLDER TAIL, WITH ENTIRE CONTACT UNDERPLATED 1.27µm [50µ"] MIN. NICKEL.
 - REFLOW SOLDER CAPABLE TO 260°C PER TEC-109-201, CONDITION B.
 - MATING PLUG PART NUMBER: 1759898-1.

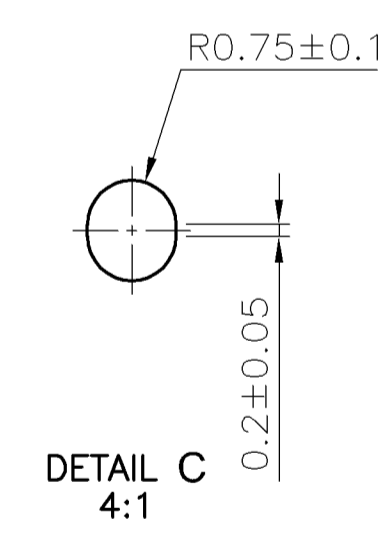
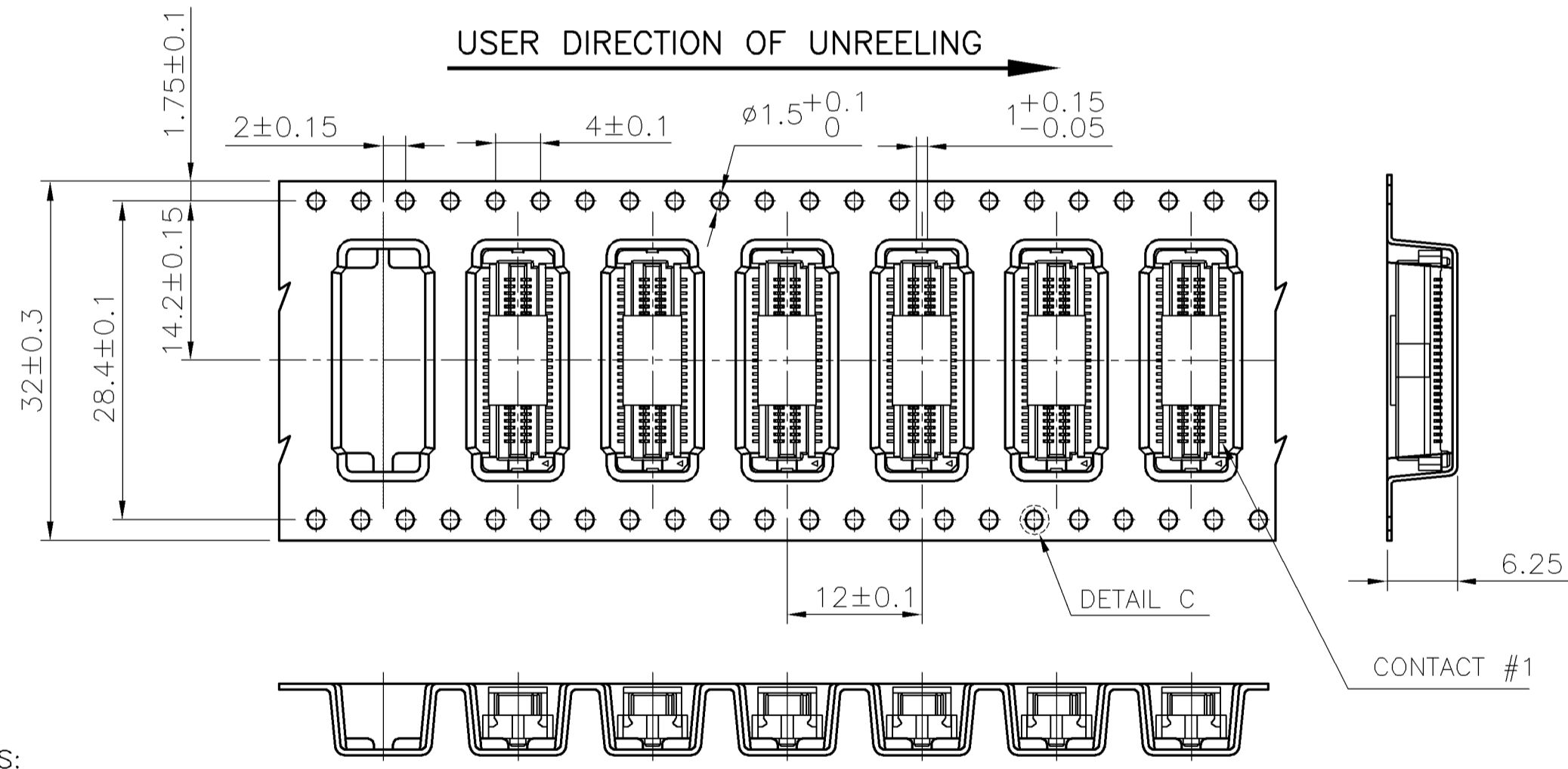
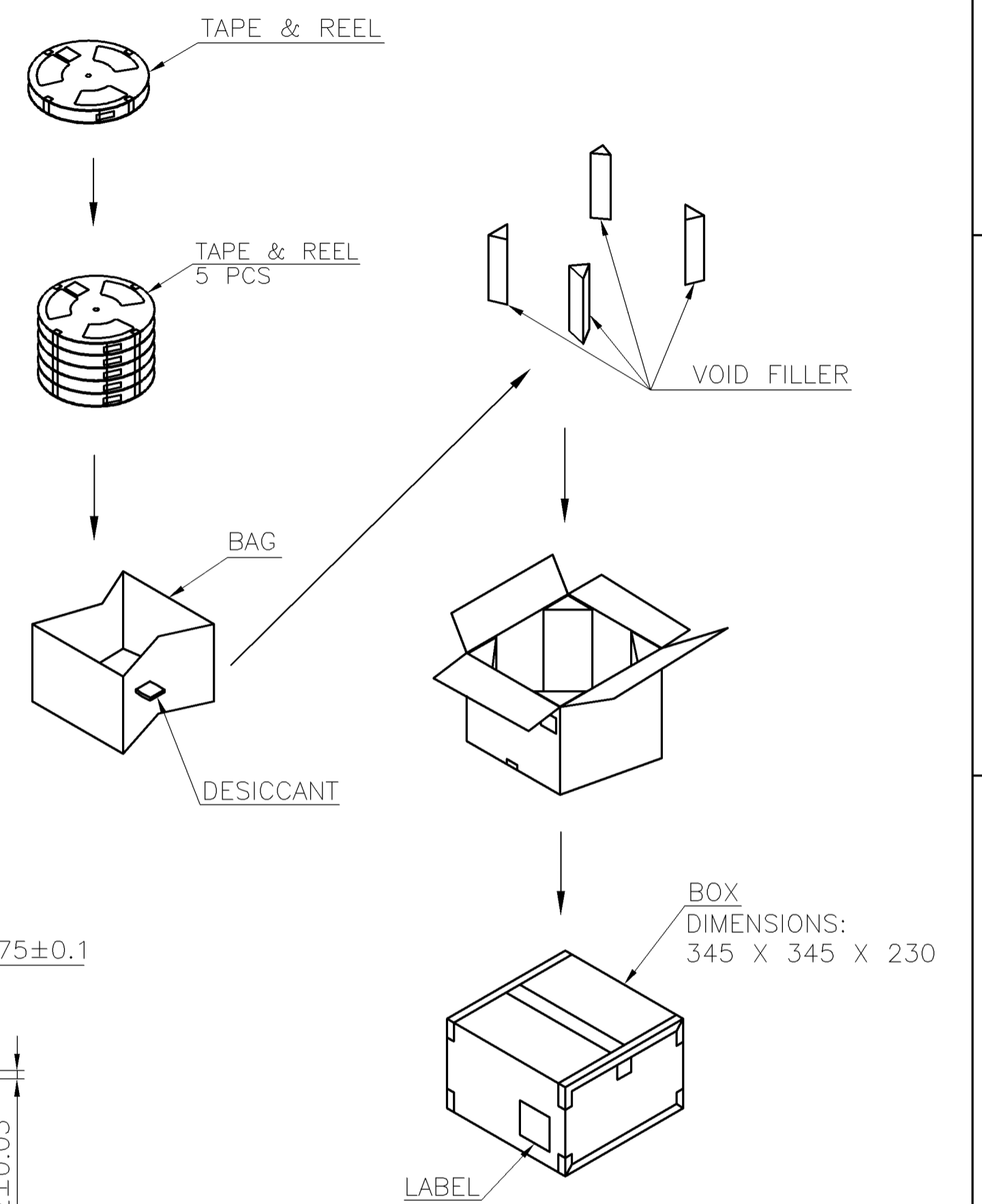
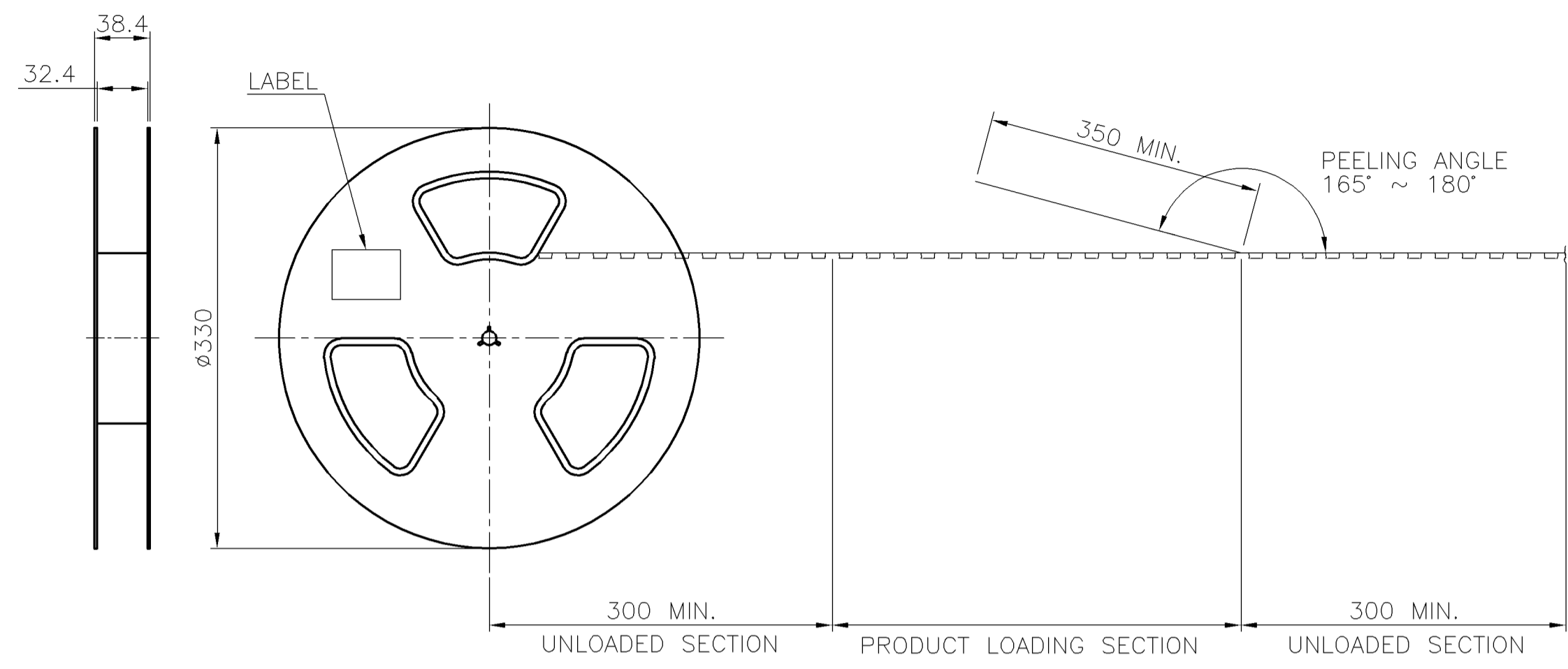


1759899-1
 PART NUMBER

THIS DRAWING IS A CONTROLLED DOCUMENT.		DWN A. WU	04MAY2009	Tyco Electronics Corporation	
DIMENSIONS: MM		CHK S. CHIEN	04MAY2009	Taipei, Taiwan	
TOLERANCES UNLESS OTHERWISE SPECIFIED:		APVD W. KODAMA	04MAY2009	NAME	
0 PLC ± 0.5		PRODUCT SPEC		108-57761	
1 PLC ± 0.3		APPLICATION SPEC		0.6 MM PITCH BOARD TO BOARD CONNECTOR, 50 POSITION, RECEPTACLE, MATING HEIGHT 5.5 MM.	
2 PLC ± 0.2		SIZE	CAGE CODE	DRAWING NO	RESTRICTED TO
3 PLC ± 0.15		—	—	—	—
4 PLC ± —		WEIGHT	A300779		C=1759899
ANGLES ± 3°		CUSTOMER DRAWING		SCALE	SHEET
MATERIAL SEE NOTE		FINISH SEE NOTE		—	1 OF 2
				REV	C

THIS DRAWING IS UNPUBLISHED. RELEASED FOR PUBLICATION
 © COPYRIGHT BY TYCO ELECTRONICS CORPORATION. ALL RIGHTS RESERVED.

LOC	DIST	REVISIONS					
DW	—	P	LTR	DESCRIPTION	DATE	DWN	APVD
				SEE SHEET 1.			



NOTES:

- MATERIAL:
 BOX: FIBREBOARD, CORRUGATED, DOUBLE WALL.
 COVER TAPE: POLYSTYRENES, 120°C HEAT-RESISTANT TEMPERATURE, TRANSPARENT COLOR.
 CARRIER TAPE: POLYSTYRENES, 120°C HEAT-RESISTANT TEMPERATURE, TRANSPARENT COLOR.
 REEL: HIPS, 70°C HEAT-RESISTANT TEMPERATURE, BLUE COLOR.
 BAG: POLYETHYLENES, 100°C HEAT-RESISTANT TEMPERATURE, TRANSPARENT COLOR.
- EACH BAG SHALL BE INCLUDED DESICCANT.
- PEELING STRENGTH: 0.1 ~ 1.3 N (10 ~ 130 GRAMS).
- PEELING SPEED: 300 mm/min.

1000	5	5000 PCS	5.5 KG	3.01 KG
PCS/TAPE	REELS/BOX	QUANTITY	GROSS WEIGHT	NET WEIGHT

THIS DRAWING IS A CONTROLLED DOCUMENT.		DWN	A. WU	04MAY2009	Tyco Electronics Corporation Taipei, Taiwan	
		CHK	S. CHIEN	04MAY2009		
		APVD	W. KODAMA	04MAY2009		
		PRODUCT SPEC				
		APPLICATION SPEC			NAME	
		WEIGHT			0.6 MM PITCH BOARD TO BOARD CONNECTOR, 50 POSITION, RECEPTACLE, MATING HEIGHT 5.5 MM.	
DIMENSIONS: MM		TOLERANCES UNLESS OTHERWISE SPECIFIED:			SIZE	A3
		0 PLC ± -			CAGE CODE	00779
		1 PLC ± -			DRAWING NO	C=1759899
		2 PLC ± -			RESTRICTED TO	—
		3 PLC ± -			CUSTOMER DRAWING	
		4 PLC ± -			SCALE	—
		ANGLES ± -			SHEET	2 OF 2
MATERIAL		FINISH			REV	C