

URELG 2 - Basic terminal block

2820262

<https://www.phoenixcontact.com/us/products/2820262>

Please be informed that the data shown in this PDF document is generated from our online catalog. Please find the complete data in the user documentation. Our general terms of use for downloads are valid.



Basic termination blocks with screw connection for NS 32 and NS 35/7.5 DIN rail, with end cover, for ST-REL..., ST-OV... and ST-OE... plugs, 2-pos.

Commercial data

Item number	2820262
Packing unit	1 pc
Minimum order quantity	10 pc
Sales key	C460
Product key	CK6113
Catalog page	Page 95 (IF-2005)
GTIN	4017918076818
Weight per piece (including packing)	24.11 g
Weight per piece (excluding packing)	21.528 g
Customs tariff number	85369010
Country of origin	DE

URELG 2 - Basic terminal block

2820262

<https://www.phoenixcontact.com/us/products/2820262>

Technical data

Product properties

Product type	Relay socket
Number of positions	2

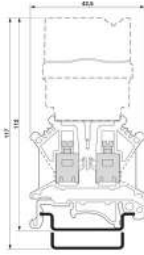
Electrical properties

Nominal voltage U_N	400 V (voltage is determined by the coupling connector.)
Nominal current I_N	16 A (current is determined by the coupling connector.)

Connection data

Connection method	Screw connection
Stripping length	9 mm
Screw thread	M3
Conductor cross section rigid	0.2 mm ² ... 4 mm ²
Conductor cross section flexible	0.2 mm ² ... 4 mm ²
Conductor cross section AWG	24 ... 12

Dimensions

Dimensional drawing	
Width	14.6 mm (with cover)
Height	42.5 mm
Depth	112 mm

Material specifications

Insulating material	PA
---------------------	----

Environmental and real-life conditions

Ambient conditions

Ambient temperature (operation)	-20 °C ... 50 °C
Ambient temperature (storage/transport)	-20 °C ... 70 °C

URELG 2 - Basic terminal block



2820262

<https://www.phoenixcontact.com/us/products/2820262>

Approvals

To download certificates, visit the product detail page: <https://www.phoenixcontact.com/us/products/2820262>



EAC

Approval ID: RU C-DE.A*30.B.01742

URELG 2 - Basic terminal block



2820262

<https://www.phoenixcontact.com/us/products/2820262>

Classifications

ECLASS

ECLASS-11.0	27371603
ECLASS-12.0	27371603
ECLASS-13.0	27371603

ETIM

ETIM 8.0	EC001456
----------	----------

UNSPSC

UNSPSC 21.0	39122300
-------------	----------

URELG 2 - Basic terminal block



2820262

<https://www.phoenixcontact.com/us/products/2820262>

Environmental product compliance

China RoHS	Environmentally friendly use period: unlimited = EFUP-e No hazardous substances above threshold values
------------	---

Phoenix Contact 2023 © - all rights reserved
<https://www.phoenixcontact.com>

Phoenix Contact USA
586 Fulling Mill Road
Middletown, PA 17057, United States
(+717) 944-1300
info@phoenixcon.com