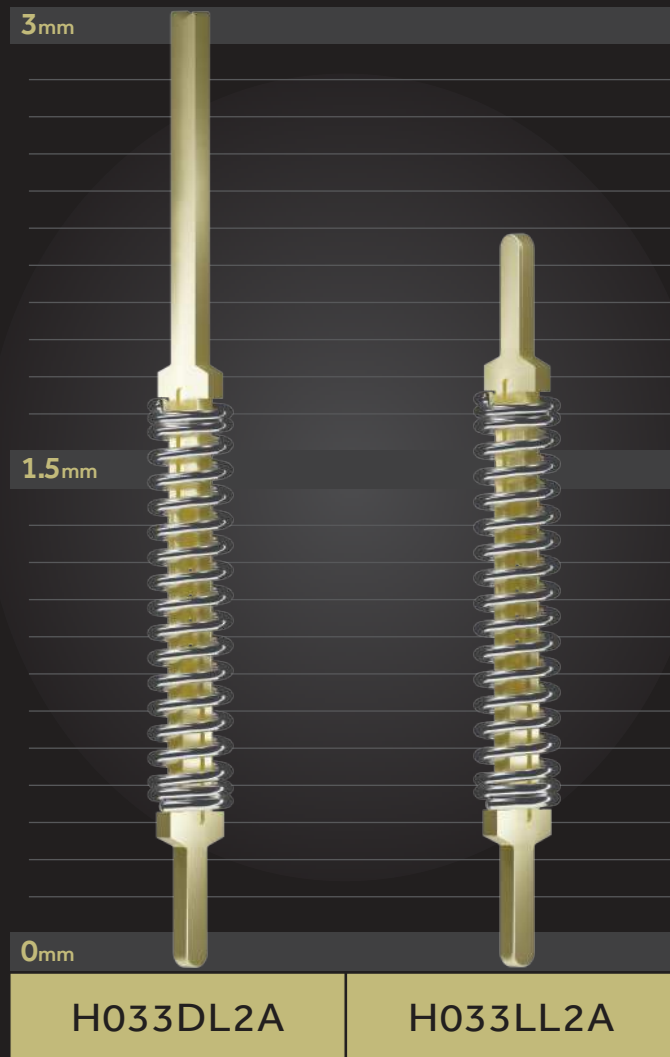


H-PIN H033



The H-Pin H033 Series has an outside dimension of 0.33mm and is ideally suited for applications with 0.40mm pitch, but can also be used for larger pitch applications with shorter signal paths.



MECHANICAL PROPERTIES

PITCH:	0.40mm (min)
WORKING TRAVEL:	0.40mm
CONTACT FORCE:	14.5gf
FULL LENGTH:	3.81mm
COMPRESSED LENGTH:	3.41mm
OPERATING TEMPERATURE:	+150C
MECHANICAL LIFE:	>75,000 cycles

ELECTRICAL PROPERTIES

CONTACT RESISTANCE:	<60mΩ
CURRENT RATING (FREE AIR):	1.8 amp
SELF INDUCTANCE:	0.75nH
BANDWIDTH @ -1DB:	10GHz

MATERIALS

STAMPED CONTACT:	BeCu, Au Plate
SPRING:	SS, Au Plate

DOWNLOADS



DATA SHEET



SALES DRAWING/DESIGN GUIDE



SIGNAL PERFORMANCE



DC PERFORMANCE



H-PIN

H033 X X 2 X

H-PIN SERIES

H033 – 0.40mm

TOP CONTACTOR

L – Standard LGA

W – BGA Tip

OPTIONS

A – Au Plating (30uin)

B – Au Plating (50uin)

E – Anti-Diffusion Coating

SPRING TYPE

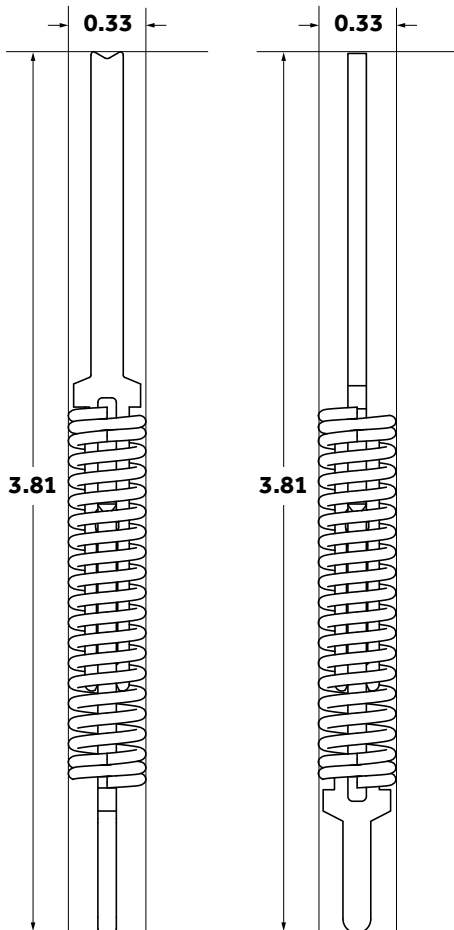
(full Deflection)

2 = 14.5gf

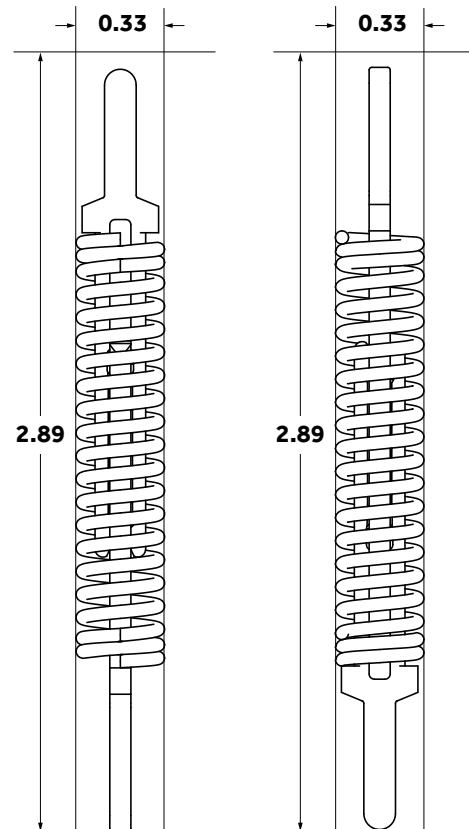
BOTTOM CONTACTOR

L - LGA TIP

H - LGA TIP W/ New Mods



H033DL2A



H033LL2A