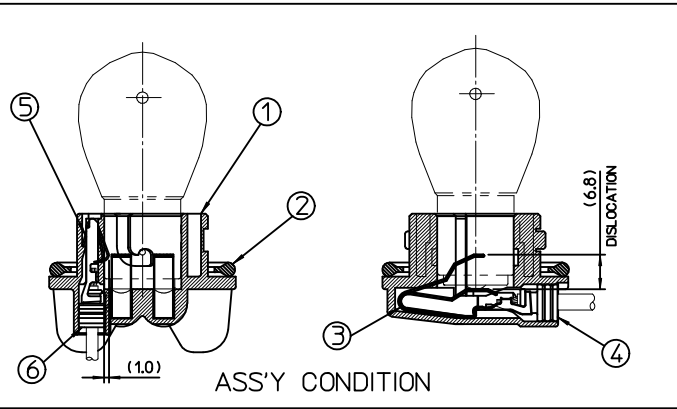
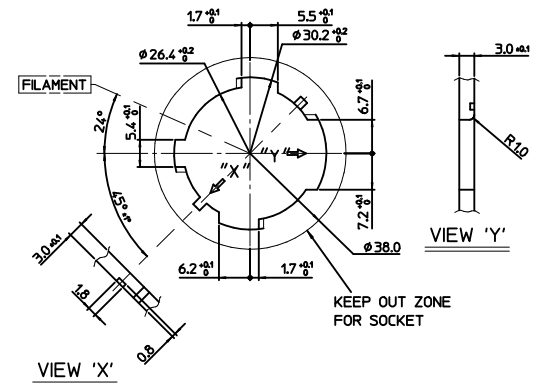
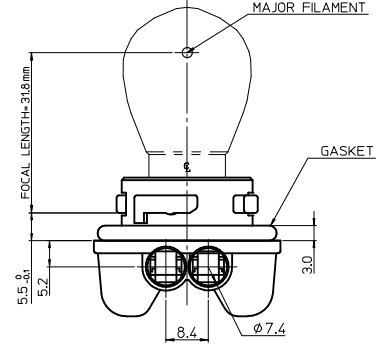
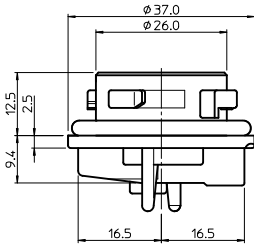
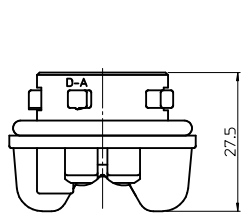
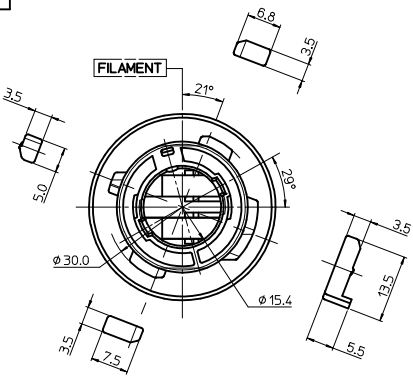
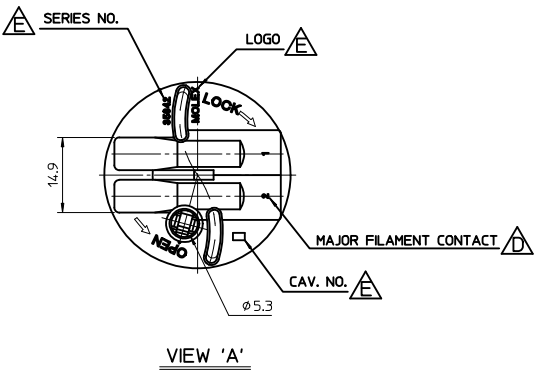


- NOTES
 1. FOCAL LENGTH = 31.8mm
 2. PRODUCT SPECIFICATION: PS-35842-001
 3. APPLICABLE BULB CAP: P21/5WBAY150
 4. MATES WITH

NO.	DESCRIPTION	MATERIAL	ORDER NO.	REMARK
③	POSITIVE TERMINAL	PHOSPHOR BRONZE	35464-8000	UNPLATED
④	POSITIVE WIRE SEAL	SILICONE	35903-0096	BROWN
⑤	EARTH TERMINAL	PHOSPHOR BRONZE	35465-8000	UNPLATED
⑥	EARTH WIRE SEAL	SILICONE	35903-0106	BLUE

<PART LIST>

NO.	DESCRIPTION	MATERIAL	USAGE	REMARK
①	DOUBLE SOCKET	PA66 M/F	1	A TYPE
②	SEAL GASKET	NBR	1	BLACK



"A"

<TABLE 1>

MATERIAL NO.	ORDER NO.	COLOR
358421301	35842-1301	BLACK
358421305	35842-1305	GRAY
358421306	35842-1306	WHITE
358421307	35842-1307	BROWN

REVISED	EC NO: KOR2010-0146	2010/04/05	DRW:NEOKIM	2010/04/05	CHKD:WYANG	2010/04/06	APPR:YUNSIKIM	2010/04/06
REV	DESCRIPTION							

QUALITY SYMBOLS	GENERAL TOLERANCES (UNLESS SPECIFIED)	
	mm	INCH
▽=0	4 PLACES ± ---	± ---
▽=0	3 PLACES ± ---	± ---
	2 PLACES ± 0.15	± ---
	1 PLACE ± 0.25	± ---
	ANGULAR ± 2 °	
	DRAFT WHERE APPLICABLE MUST REMAIN WITHIN DIMENSIONS	

DIMENSION STYLE		SCALE	DESIGN UNITS	THIRD ANGLE PROJECTION
MM ONLY		1:1	METRIC	☉
DRAWN BY	DATE	TITLE		
YSIKKIM	1999/05/13	SEALED PT BULB SOCKET DOUBLE HOUSING ASS'Y (A-TYPE)		
CHECKED BY	DATE	MOLEX INCORPORATED		
BKCHOI	1999/05/14	MATERIAL NO. SD-35842-001		
APPROVED BY	DATE	DOCUMENT NO.		
CWLEE	1999/05/14	SHEET NO. 1 OF 1		

DRAWN BY		DATE	TITLE	
YSIKKIM		1999/05/13	SEALED PT BULB SOCKET DOUBLE HOUSING ASS'Y (A-TYPE)	
CHECKED BY		DATE	MOLEX INCORPORATED	
BKCHOI		1999/05/14	MATERIAL NO. SD-35842-001	
APPROVED BY		DATE	DOCUMENT NO.	
CWLEE		1999/05/14	SHEET NO. 1 OF 1	