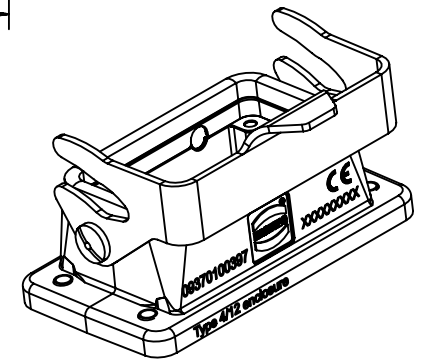
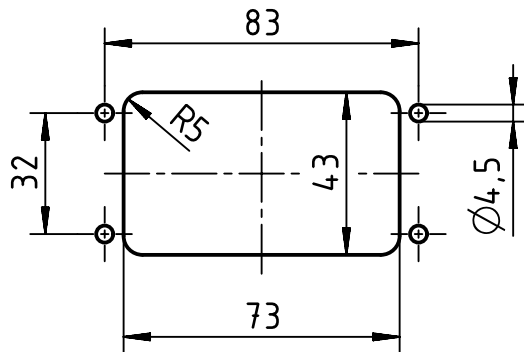



panel cut out (1:2)



	All Dimensions in mm Original Size DIN A4		Scale 1:1	Free size tol.		Ref.
	All rights reserved Department EL PD		Created by WENE	Inspected by LUOK	Standardisation RUETERA	Sub.
HARTING Electric GmbH & Co. KG D-32339 Espelkamp		Title <b>Han 10M HBM-Rear Fit-SL</b>			Date 2020-07-13	State Final Release
					Doc-Key / ECM-Nr. 100869912/UGD/002/B 500000176243	Rev. <b>B</b>
			Type <b>TB</b>	Number <b>09 37 010 0397</b>	Page 1/1	