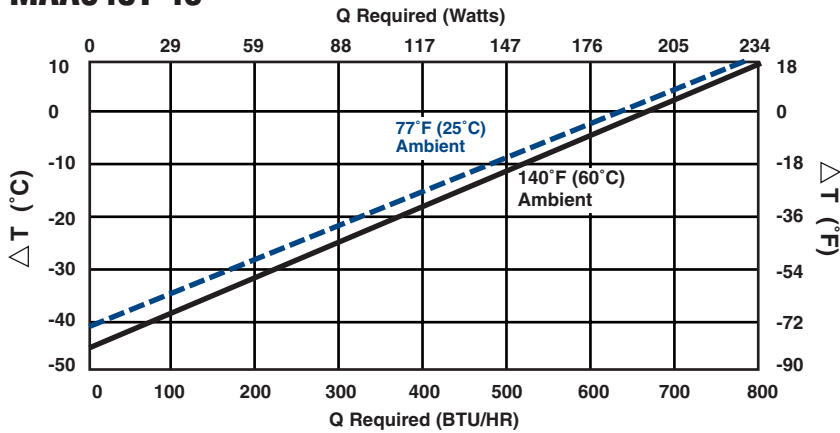


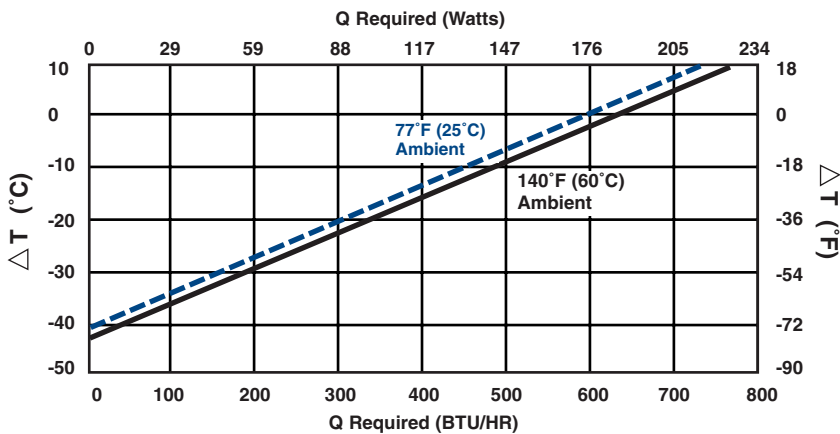
Performance Curves:

MAA640T-48



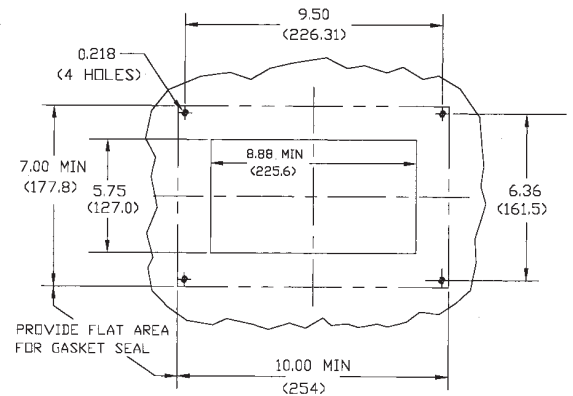
Important:
 The air conditioner performance curves are dependent upon active and passive heat loads. To calculate passive cabinet heat gain, see the instructions on pages 6 and 7. For assistance contact MELCOR.

MAA600T-12/24



$\Delta T = T_{max \text{ Cabinet}} - T_{max \text{ Ambient}}$

Installation Cutout



Dimensional Drawing

