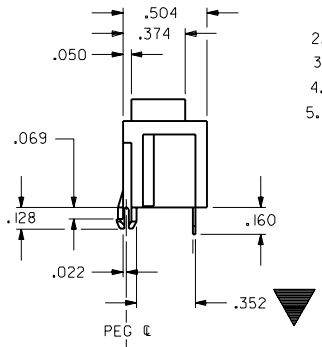
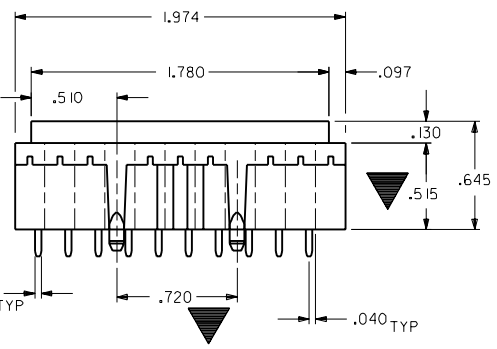
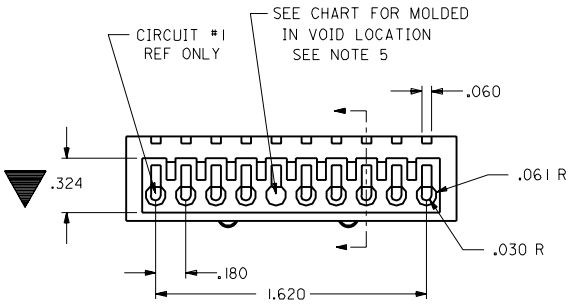
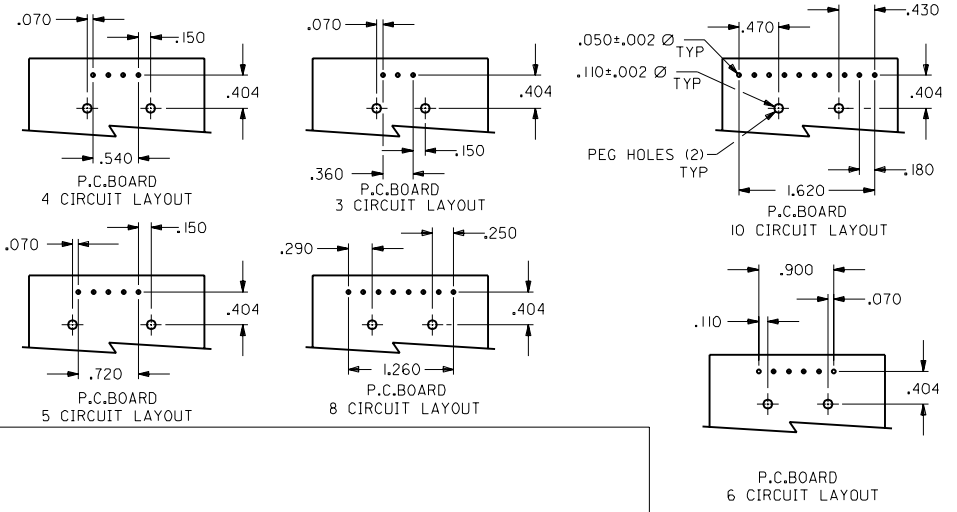
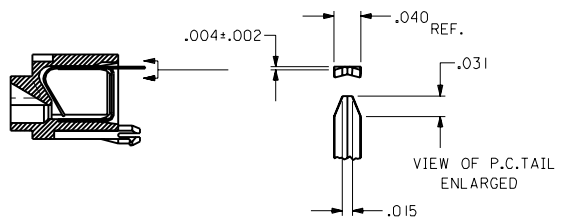


HOUSING TO BE MOLDED IN 3,4,5,6,8&10 CIRCUITS AS SHOWN
NOTE P.C.BOARD LOCKING PEG LOCATIONS



- NOTES:
1. FOR USE WITH 16AWG SOLID & 18AWG SOLID OR STRANDED WIRE WITH TIN TOP COAT OR 20AWG STRANDED WIRE WITH TIN TOP COAT. INSULATION O.D. .079/.118.
 2. SUGGESTED STRIP LENGTH OF MATED WIRE TO BE WITHIN .320-.380 LONG.
 3. MONITORED OR CHARTED DIMENSIONS.
 4. FOR PRODUCT SPECIFICATIONS SEE PS-42732.
 5. TUBE PACK PER: PK-44743-003



MATERIAL:
HOUSING- POLYESTER (7½% GLASS FILLED); COLOR- WHITE
TERMINAL- .013 THICK PHOS. BRONZE PRE-TIN PLATE

UNLESS OTHERWISE SPECIFIED TOLERANCES: ANGULAR ± 1°		DIMENSIONS SHOWN METRIC (INCH)		▽ = 0 ▼ = 9 REVISE ONLY ON CAD SYSTEM	
INCH		METRIC		TITLE	
3 PLACE ± .006	---	3 PLACE ± .006	---	WIRE TRAP ASSEMBLY	
2 PLACE ± .001	± .023	2 PLACE ± .001	± .023	PART NO. SEE CHART	
1 PLACE ---	± .085	1 PLACE ---	± .085	MOLEX INCORPORATED SHEET NO. DATE	
DRAFT WHERE APPLICABLE MUST REMAIN WITHIN DIMENSIONS		FILE NAME SDA-42732-*		10/26/90	
DRW. BY EDGLEY	CHKD. BY LENZ	DRW. BY EDGLEY	CHKD. BY LENZ	MFG. SHL. REV.	
APP'D. BY LENZ	SCALE 2:1	APP'D. BY LENZ	SCALE 2:1	DIV. SIZE	
LTR. REVISIONS	LTR. REVISIONS	LTR. REVISIONS	LTR. REVISIONS	C C	

42732

R4
S

10/26/90

SDA-42732-*

	13	12	11	10	9	8	7	6	42732	4	3	2	1	
J	PART NO.	ENG. NO.	NO. OF CIRCUITS	MOLDED VOID IN CKT NO	TERMINAL VOID IN CKT NO	HOUSING USED IN ASSEMBLY								J
	22-45-4036	A-42732-2030	3	NONE	NONE	42732-1030								I
	22-45-4046	A-42732-2040	4	NONE	NONE	42732-1040								H
I	22-45-4056	A-42732-2050	5	NONE	NONE	42732-1050								G
	22-45-4066	A-42732-2060	6	NONE	NONE	42732-1060								F
	22-45-4086	A-42732-2080	8	NONE	NONE	42732-1080								E
H	22-45-4106	A-42732-2100	10	NONE	NONE	42732-1100								D
	22-45-4037	A-42732-2032	3	2	NONE	42732-1032								C
	22-45-5064	A-42732-2061	6	3,4	NONE	42732-1061								B
G	22-45-4067	A-42732-2062	6	2,5	NONE	42732-1062								A
	22-45-5065	A-42732-2063	6	2,5,6	NONE	42732-1063								
	22-45-5084	A-42732-2081	8	2,4,6,8	NONE	42732-1081								
F	22-45-5104	A-42732-2101	10	2,4,7,9	NONE	42732-1101								
	22-45-5060	A-42732-3006	6	2,4,5	NONE	42732-1064								
	22-45-5069	A-42732-3007	6	2,4,5,6	NONE	42732-1065								
E	22-45-5054	A-42732-2051	5	1,2	NONE	42732-1051								
	42732-2082	A-42732-2082	8	NONE	2,5,7	42732-1080								
	42732-2083	A-42732-2083	8	NONE	2,4	42732-1080								
	42732-2102	A-42732-2102	10	NONE	4,7,9	42732-1100								
D														D
C														C
B														B
A														A

42732

SEE SHEET I	R2	SEE SHEET I
SEE SHEET I	R1	SEE SHEET I
SEE SHEET I	R	SEE SHEET I
SEE SHEET I	Q1	SEE SHEET I
SEE SHEET I	Q	SEE SHEET I
R4	P4	SEE SHEET I
R3	P3	SEE SHEET I
LTR.	REVISIONS	LTR.

DIMENSIONS SHOWN (METRIC) INCH	
UNLESS OTHERWISE SPECIFIED TOLERANCES ARE AS FOLLOWS	
3 PLACE ± .005	---
2 PLACE ± .01	± 0.13
1 PLACE ---	± 0.25
DRAFT WHERE APPLICABLE MUST REMAIN WITHIN DIMENSIONS	
DRWG. BY: SAMIEC	CHK'D. BY: EDGLEY
APP'D. BY: LENZ	SCALE: :

REVISIONS		▽ = 0	▽ = 0	REVISE ONLY ON CAD SYSTEM	
TITLE WIRE TRAP ASSEMBLY					
MOLEX INCORPORATED		SHEET NO. 2	DATE 4/8/94		
SEE CHART		DRAWG. NO. SD A-42732-			
FILE NAME S42732X2		THIS DRAWING CONTAINS INFORMATION THAT IS PROPRIETARY TO MOLEX INC. AND SHOULD NOT BE USED WITHOUT WRITTEN PERMISSION.		DIV. C	SIZE C

13 12 11 10 9 8 7 6 5 4 3 2 1