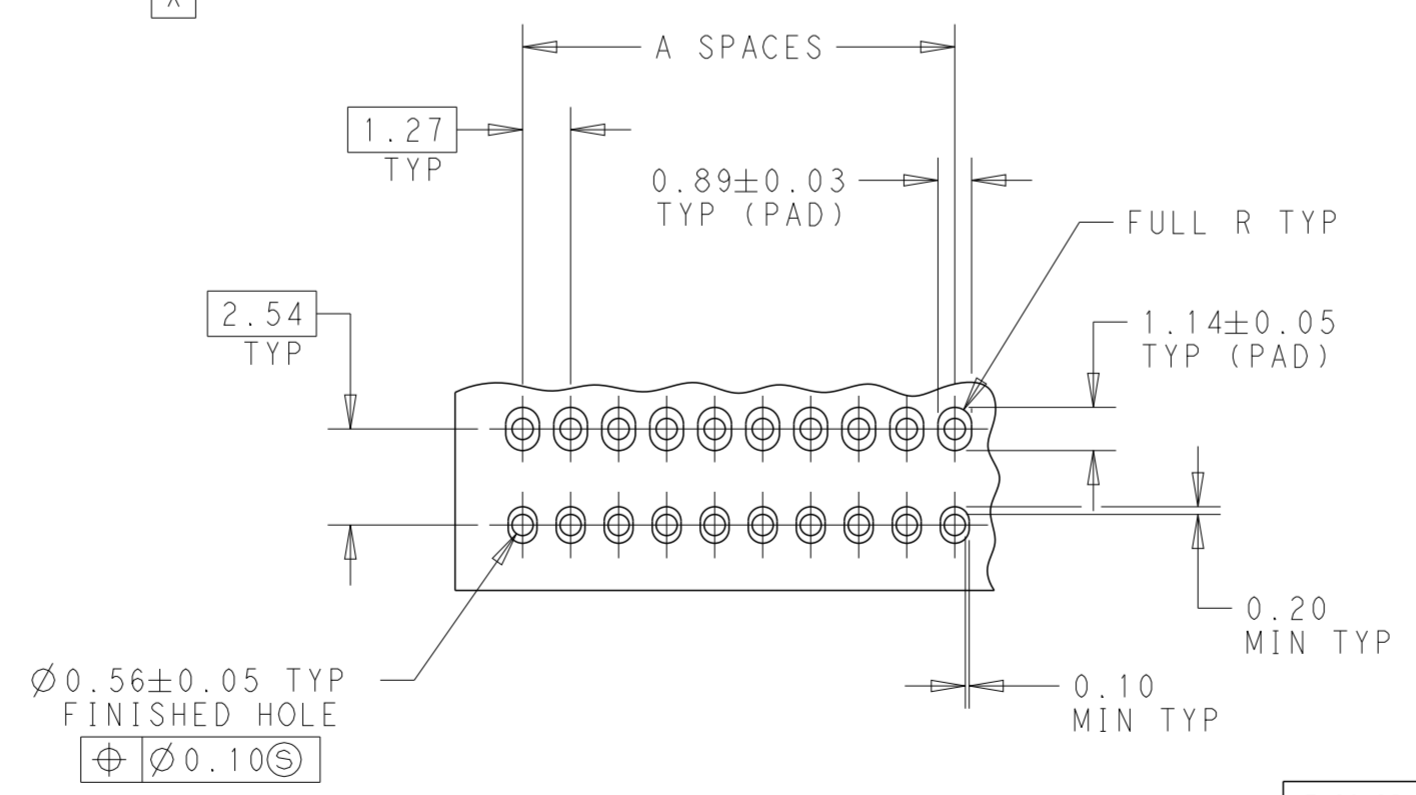
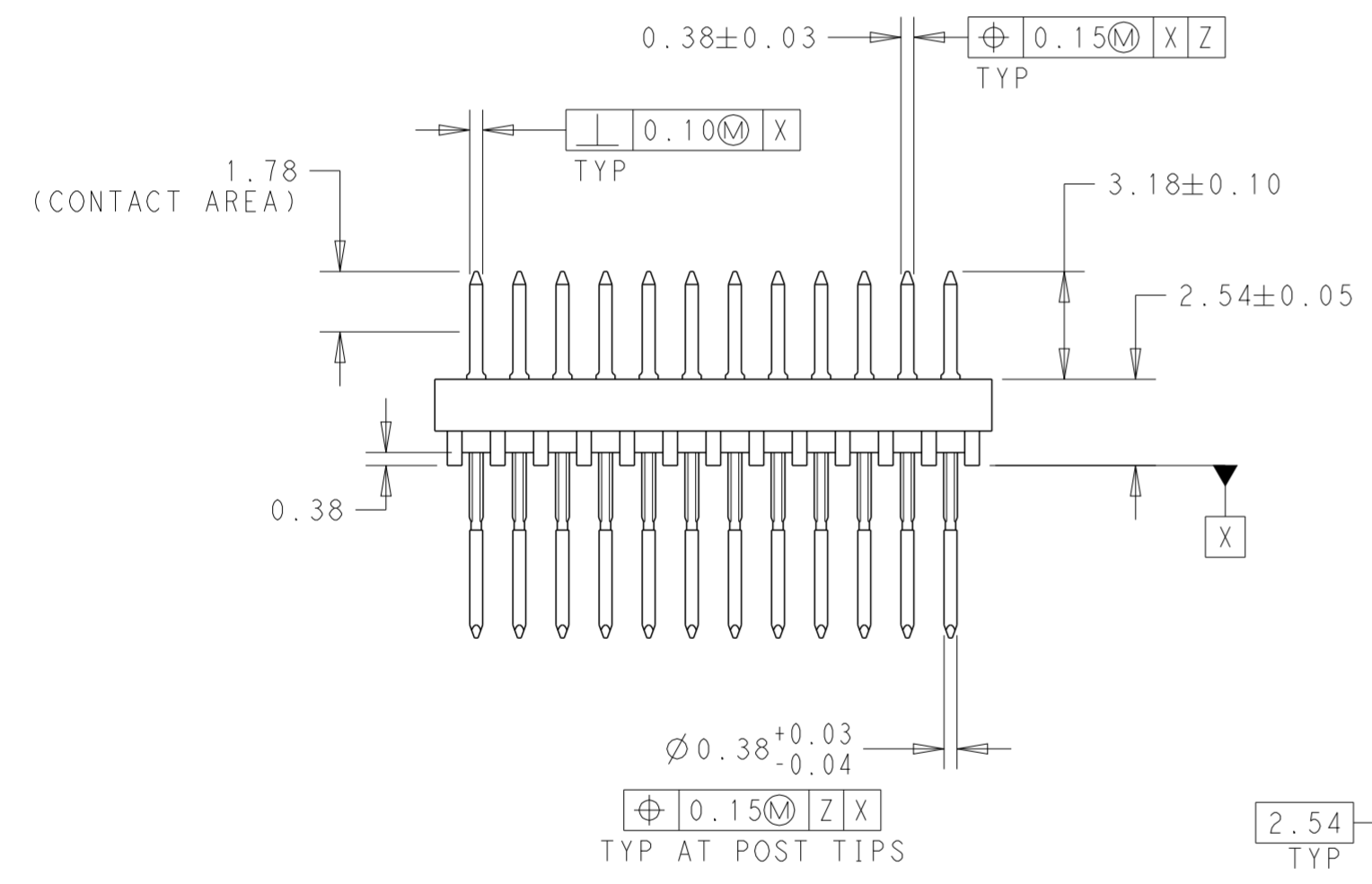
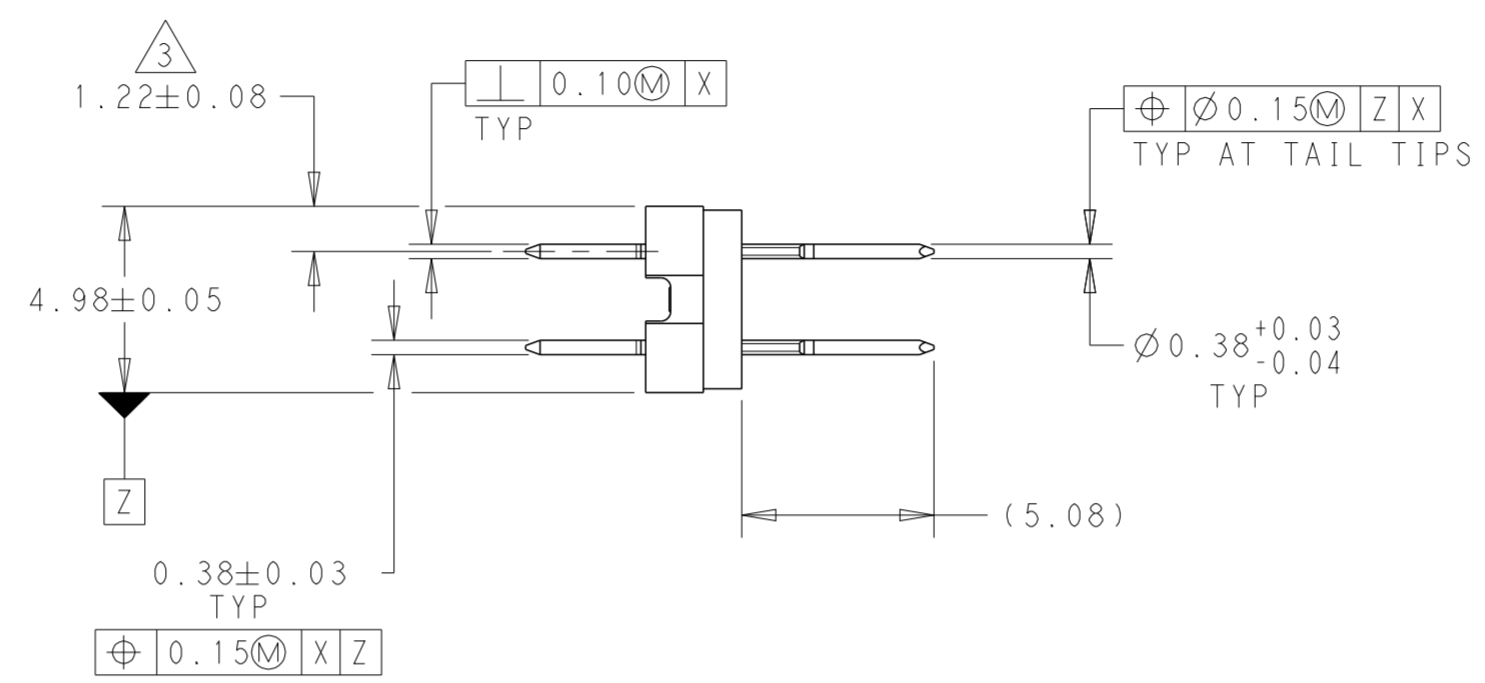
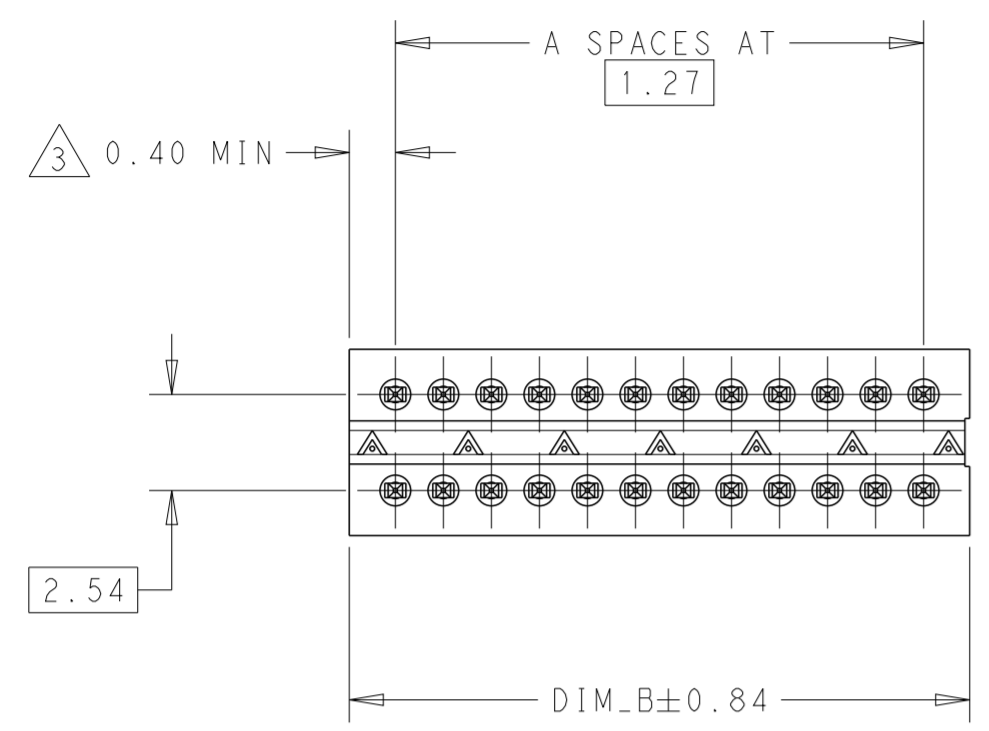
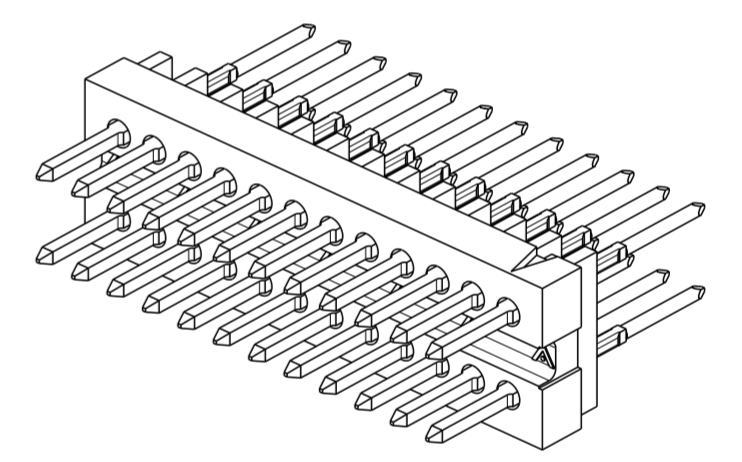


THIS DRAWING IS UNPUBLISHED. RELEASED FOR PUBLICATION 20  
 © COPYRIGHT 20 BY - ALL RIGHTS RESERVED.

REVISIONS				
P	LTR	DESCRIPTION	DATE	APVD
D		REDRAWN/REVISED PER ECO-17-001756	13NOV2017	GR JO



- 1. ENTIRE CONTACT PLATED WITH 0.76µm GOLD OVER 1.27µm MIN. NICKEL
- 2. NOTE DELETED
- 3. THE NOTED DIMENSIONS APPLY AT THE INTERSECTION OF THE POST AND HOUSING.
- 4. FINISH: 0.03µm MIN GOLD ON ENTIRE CONTACT. UNDER PLATING TO BE 1.27µm NICKEL ON ENTIRE CONTACT.
- 5. NOTE DELETED
- 6. NOTE DELETED
- 7. MATERIAL: HOUSING: LCP, COLOR-BLACK CONTACT: COPPER ALLOY



4	26.57	19	40	2-146744-3
	8.79	5	12	2-146744-2
	16.4	11	24	2-146744-1
1	26.57	19	40	146744-3
	8.79	5	12	146744-2
	16.4	11	24	146744-1
FINISH	DIM_B	A SPACES	NO OF POSN	PART NUMBER

DIMENSIONS:		TOLERANCES UNLESS OTHERWISE SPECIFIED:		DWN		G. RAMESH		13NOV2017		
mm		0 PLC	±	CHK	J. OLSON	13NOV2017	TE Connectivity NAME: HEADER ASSEMBLY, VERTICAL, UNSHROUDED, AMPMODU SYSTEM 50 PRODUCT SPEC: 108-1093 APPLICATION SPEC: 114-25031 SIZE: A2 CAGE CODE: 00779 DRAWING NO: C-146744 RESTRICTED TO:			
		1 PLC	±0.3	APVD	J. OLSON	13NOV2017				
		2 PLC	±0.13	PRODUCT SPEC						
		3 PLC	±	APPLICATION SPEC						
		4 PLC	±	WEIGHT			CUSTOMER DRAWING			
		ANGLES	±0.5°	SCALE	5:1		SHEET	1 OF 1	REV	D
		FINISH	SEE TABLE							