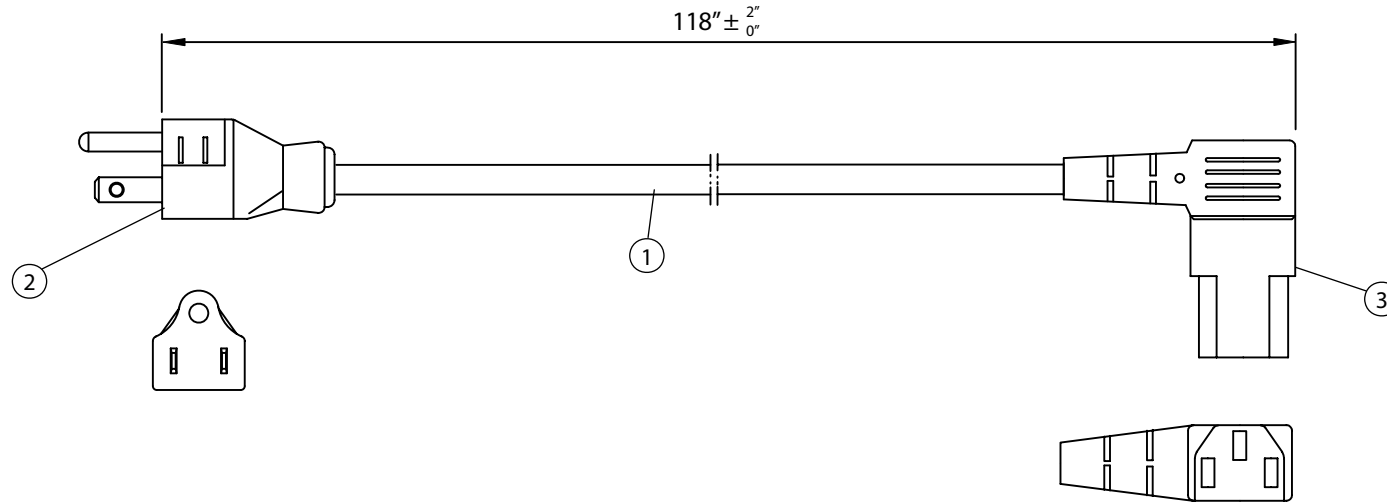


THESE DRAWINGS ARE THE PROPERTY OF QUALTEK ELECTRONICS AND NOT TO BE REPRODUCED FOR OR COMMUNICATED TO A THIRD PARTY WITHOUT THE EXPRESS WRITTEN PERMISSION OF AN OFFICER OF QUALTEK ELECTRONICS.

REVISION			
REV.	DESCRIPTION	DATE	APPROVED
B	RoHS Compliancy	06-01-06	DP
C	Updated Graphics	07-09-10	LY



NOTES:

1. CORDAGE: SJT, 16AWG / 3C, SHIELDED-MYLAR FOIL, CEE COLOR CODE, TEMP. RATING: 60°C RATING: 125V 13A, JACKET COLOR: BLACK
2. PLUG: NEMA 5-15P
3. CONNECTOR: IEC 60320 C13 RIGHT ANGLED
4. APPROVALS: UL, CSA
5. ROHS COMPLIANT

CONTROLLED

Dim range (mm)		Tolerance +/- (mm)		Qualtek Electronics Corp. PPC DIVISION		
0-1		0.15		Part Number: 313026-01 RoHS Compliant		
1-6		0.20		Description: POWER CORD		
6-18		0.30				
18-50		0.50				
50-120		0.70				
120-250		0.90				
250-500		1.20				
				UNIT: in REV. C		
				Drawn / Date Checked / Date Approved / Date		
				B.ZHANG 04-19-02 04-19-02 JJH / 04-19-02		