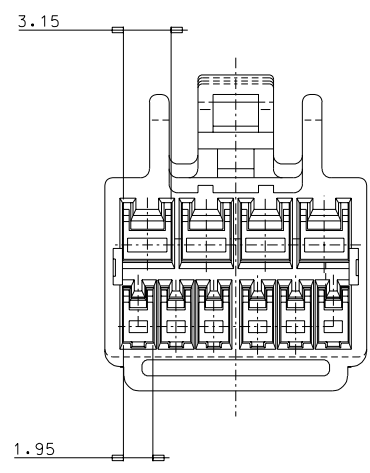
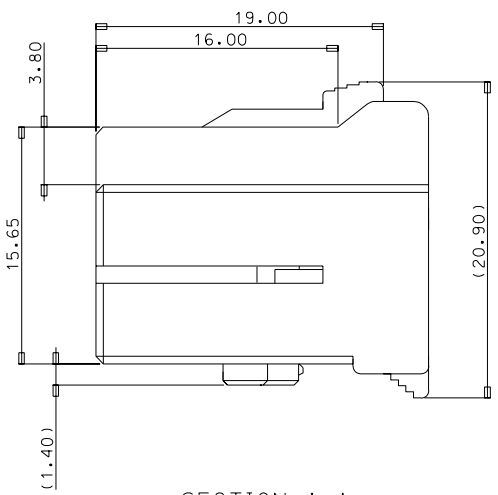
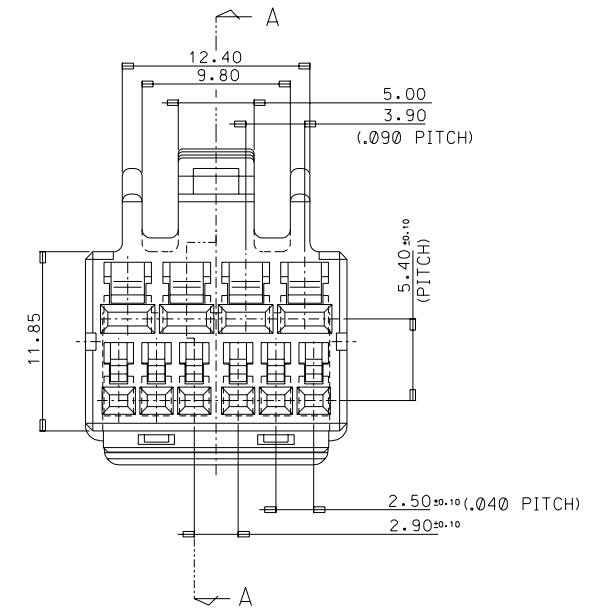
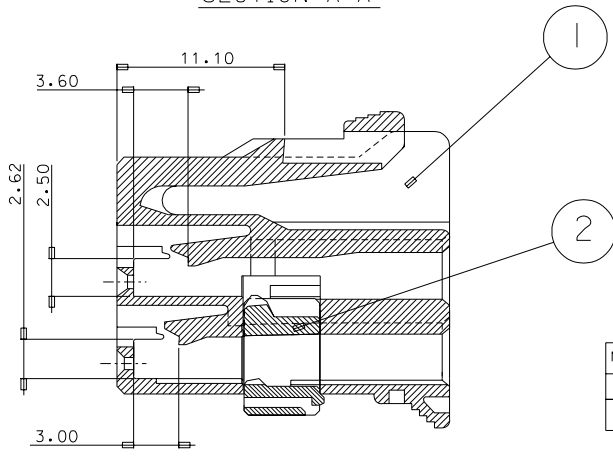
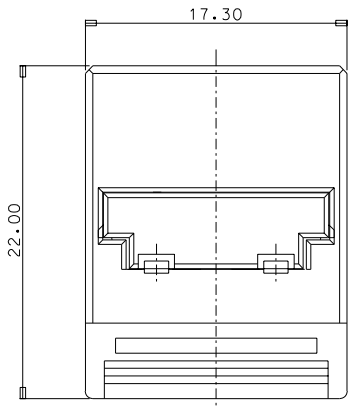


DO NOT SCALE DRAWING  
DIMENSION IN METRIC

DWG. NO. SD-49014-001  
SIMILAR ITEM  
PROJECT NO.  
C  
B



SECTION A-A



NOTE  
1. MATERIAL & FINISH: SEE TABLE  
2. MATING CONNECTOR : 49016-1010  
3. APPLICATION TERMINAL : 35421-6\*02(090)  
50654-100(1040)

NO.	PART NO.	PART NAME	MATERIAL	REMARK
1	49014-1090	.040/090 F/HSG 10P	POLYESTER	WHITE
2	49015-1083	.040/090 FEMALE TPA 10P	POLYESTER	YELLOW

490141010	49014-1010
MATERIAL NO.	ENG. NO.

NEW RELEASE	EC NO.: KOR2004-00040	DRWNS: M.KIM 03/11/10	CHK: B.C.YOON 03/11/10	APPR: C.W.LEE
DESCRIPTION	MAJOR CRITICAL			
REV	A			

QUALITY SYMBOLS	GENERAL TOLERANCES: (UNLESS SPECIFIED)	SCALE 3:1	DESIGN UNITS <input checked="" type="checkbox"/> mm <input type="checkbox"/> INCH	THIRD ANGLE PROJECTION <input checked="" type="checkbox"/> THIRD ANGLE <input type="checkbox"/> FIRST ANGLE
	4 PLACES ±0.1 mm ±. INCH	DRAWN BY & DATE 2003/02/13 H.C.RHO	TITLE: .040/090 FEMALE HOUSING ASS'Y 10P	
	3 PLACES ±0.1 mm ±. INCH	CHECKED BY & DATE 2003/02/13 H.C.RHO	MOLEX MOLEX INCORPORATED	
	2 PLACES ±0.3 mm ±. INCH	APPROVED BY & DATE 2003/02/13 C.W.LEE	CAD FILENAME SD49014.DGN	MATERIAL NO. SEE TABLE
	1 PLACE ±0.2 mm ±. INCH		DRAWING NO. SD-49014-001	SHEET NO. 1 OF 1
	ANGULAR: ± 1°	THIS DRAWING CONTAINS INFORMATION THAT IS PROPRIETARY TO MOLEX INCORPORATED AND SHOULD NOT BE USED WITHOUT WRITTEN PERMISSION.		
	DRAFT WHERE APPLICABLE MUST REMAIN WITHIN DIMENSIONS	SIZE B		