

REVISIONS				
P	LTN	DESCRIPTION	DATE	APV
A		INITIAL RELEASE PER E-21-003453	15DEC2021	AP 1G
A1		REVISED PER PCN-22-153672	22SEP2022	AM 1G
A2		REVISED PER PCN-22-154549	04OCT2022	AM 1G

FIGURE 1

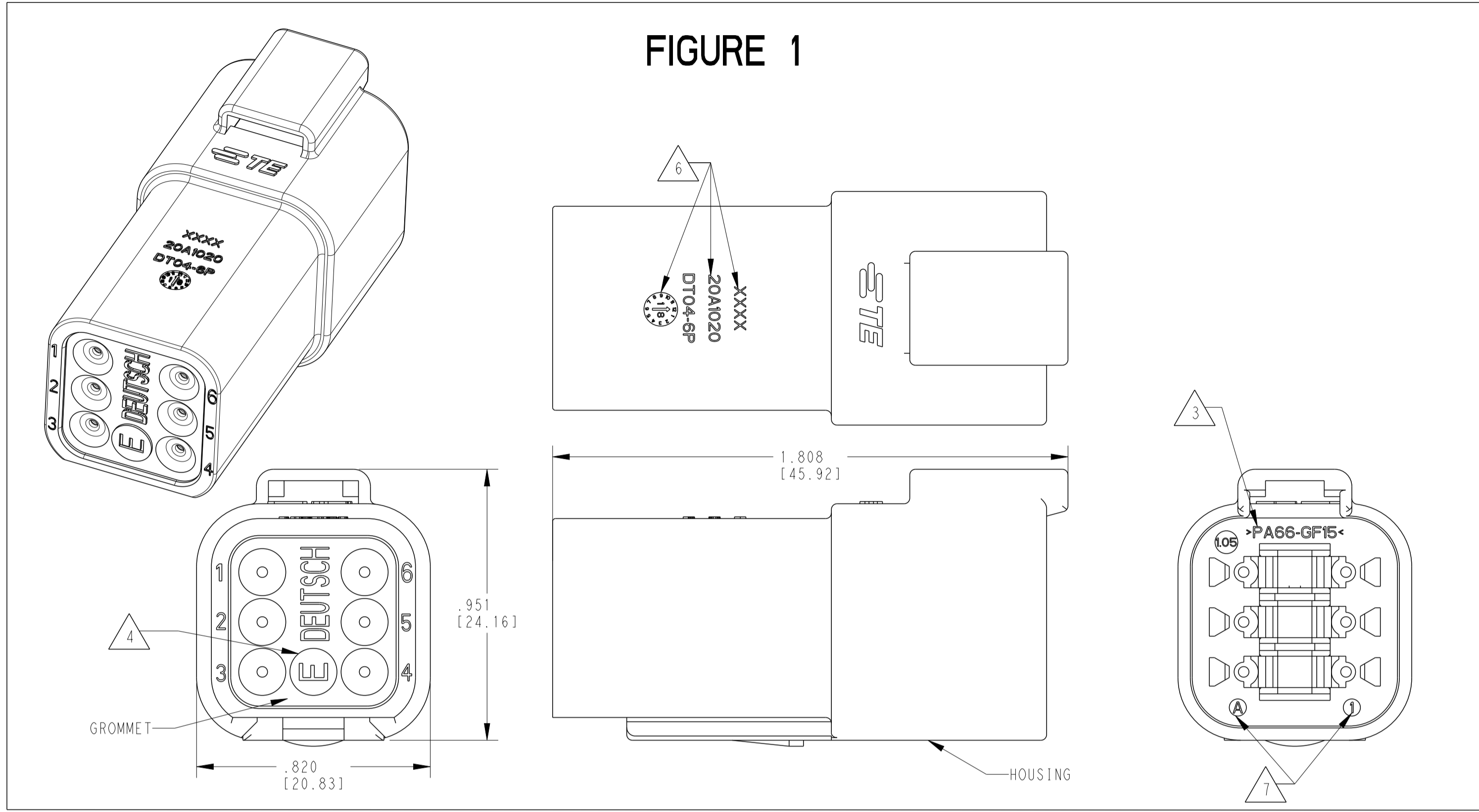


FIGURE 2 SHORT CAP

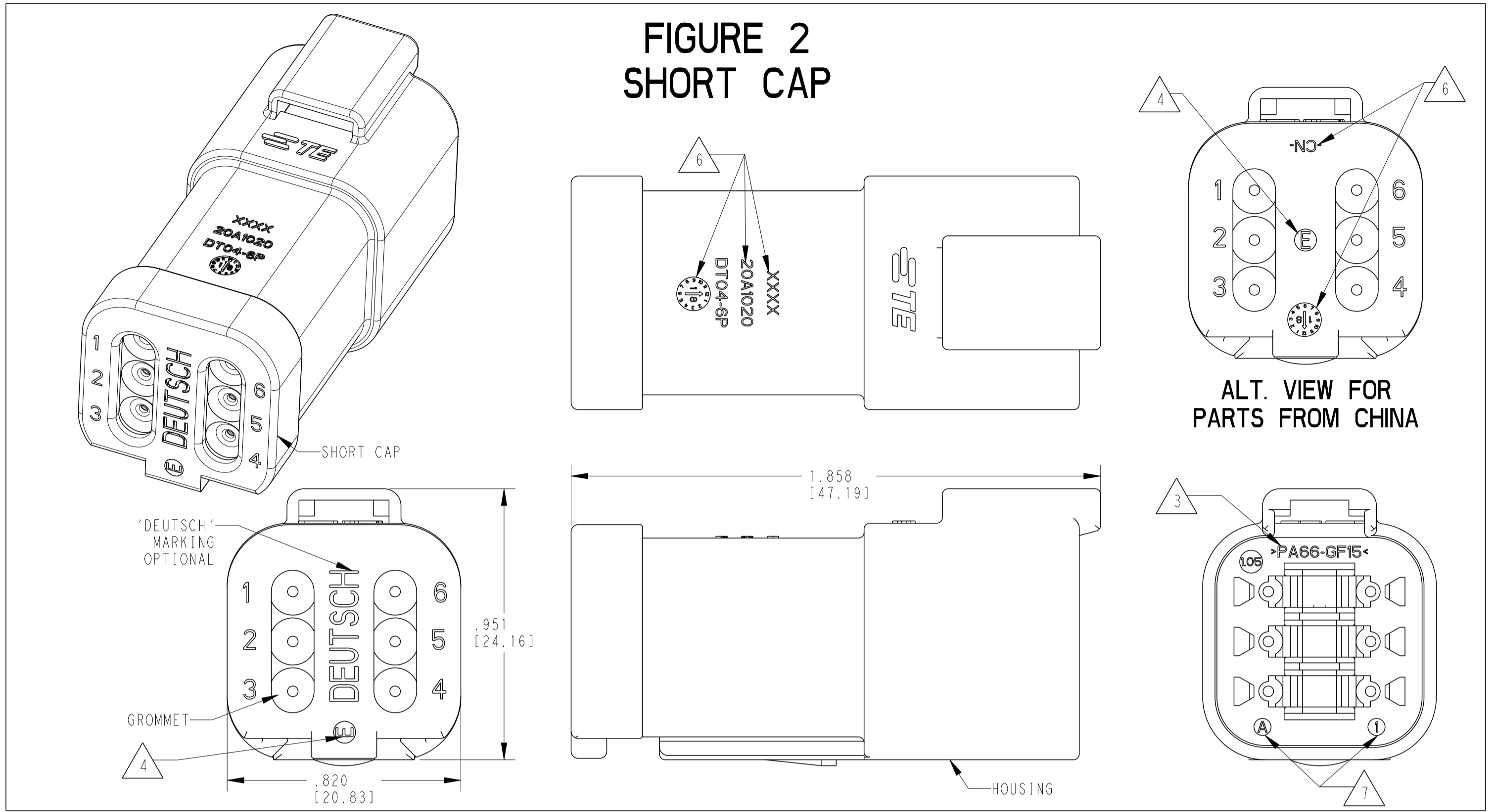
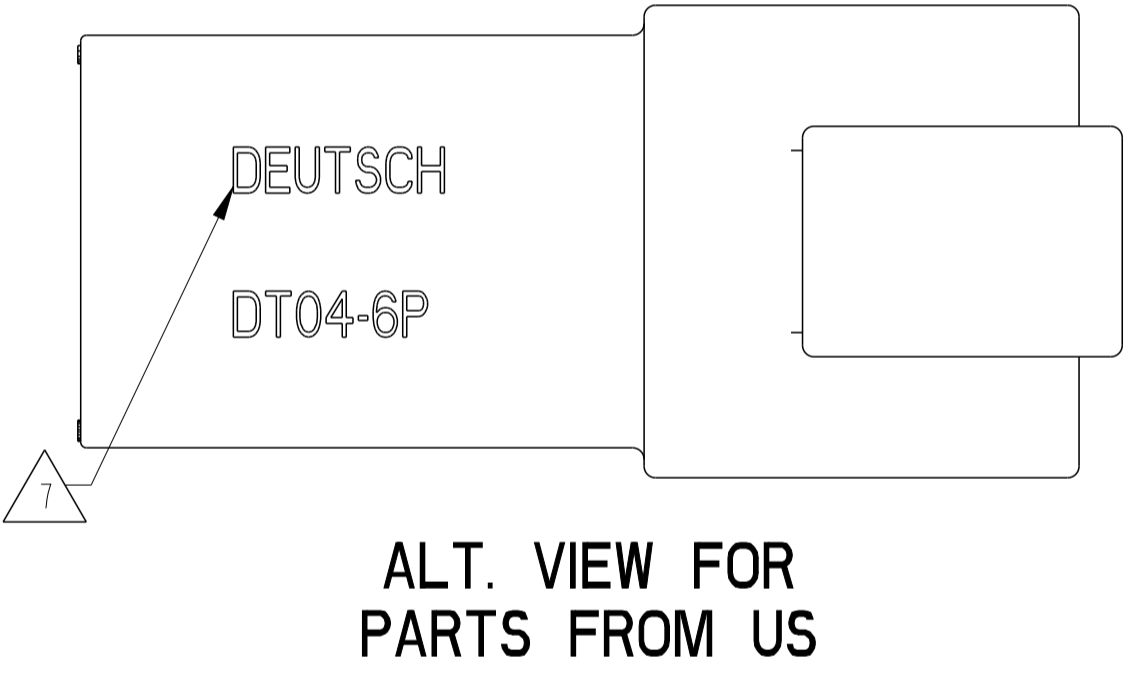
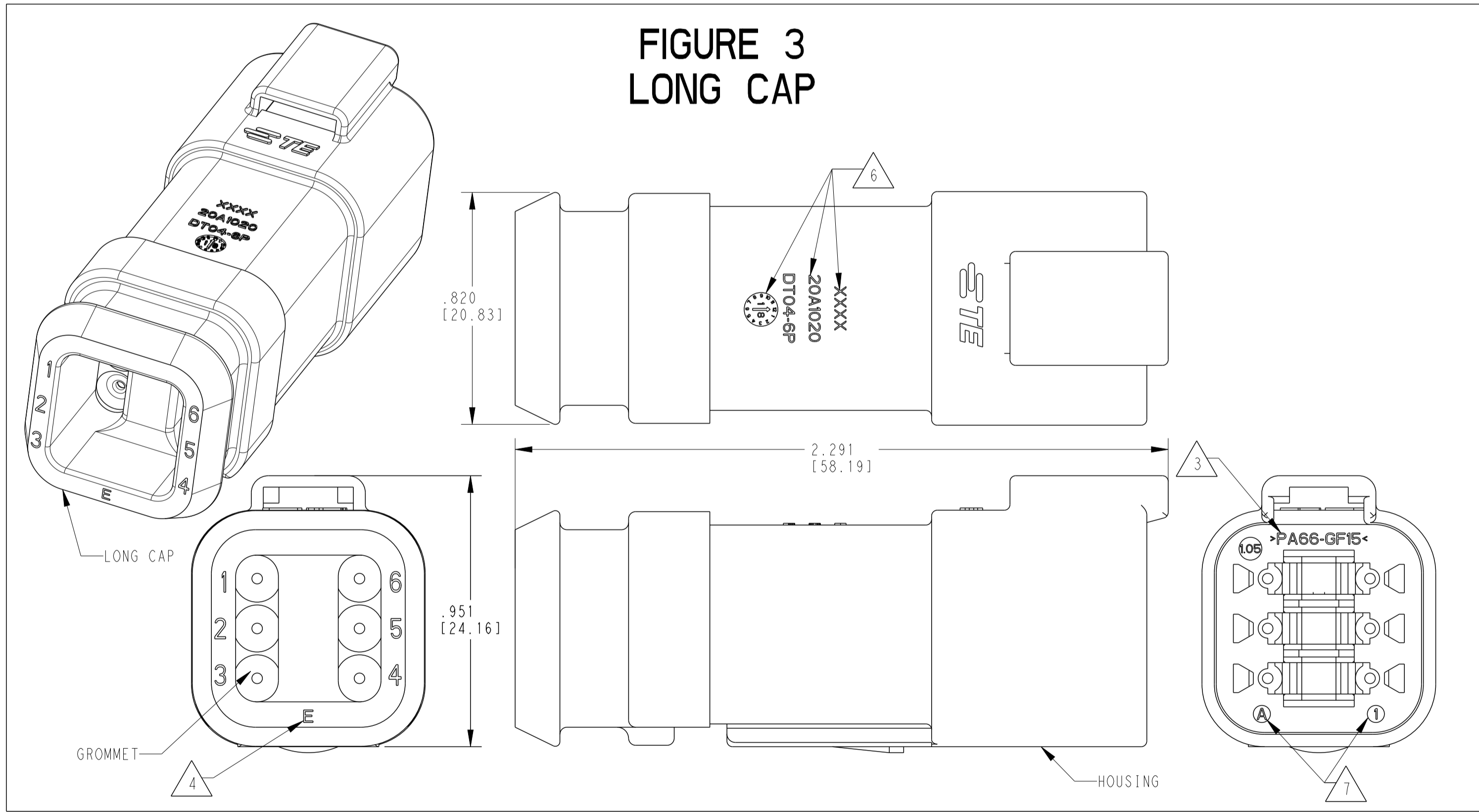


FIGURE 3 LONG CAP



CONTACT SIZE	WIRE RANGE	INSULATION OD SEALING RANGE	SEAL IDENTIFICATION
16	14-20 AWG [2.5-0.5mm <sup>2</sup> ]	.088-.145 [2.23-3.68]	STANDARD SEAL
		.053-.120 [1.35-3.05]	EXTRA THIN SEAL E-SEAL

TE INTERNAL PART NUMBER	DEUTSCH PART NUMBER	PN REV	COLOR	STANDARD SEAL	EXTRA THIN SEAL E-SEAL	BLOCKED SEAL	SHORT CAP	LONG CAP	FIGURE
DT04-6P	DT04-6P	A	GRAY	X					1
DT04-6P-C015	DT04-6P-C015	B	GRAY		X				1
DT04-6P-C017	DT04-6P-C017	A	GRAY			X	X		2
DT04-6P-CE01	DT04-6P-CE01	B	GRAY		X		X		2
DT04-6P-CE02	DT04-6P-CE02	B	BLACK		X				1
DT04-6P-CE03	DT04-6P-CE03	B	BLACK		X		X		2
DT04-6P-CE04	DT04-6P-CE04	A	GRAY		X			X	3
DT04-6P-CE09	DT04-6P-CE09	B	BLACK		X			X	3
DT04-6P-CE26	DT04-6P-CE26	A	BLACK			X	X		2
DT04-6P-E003	DT04-6P-E003	A	GRAY	X			X		2
DT04-6P-E004	DT04-6P-E004	A	BLACK	X					1
DT04-6P-E005	DT04-6P-E005	A	BLACK	X			X		2
DT04-6P-E008	DT04-6P-E008	A	GRAY	X				X	3
DT04-6P-EE01	DT04-6P-EE01	A	BLACK	X				X	3
DT04-6P-EP04	DT04-6P-EP04	B	GRAY	X			X		2
DT04-6P-P004	DT04-6P-P004	B	GRAY	X					1

4 "E" IDENTIFIES E-SEAL, LOCATED APPROX. AS SHOWN.  
 3 MATERIAL: HOUSING: PA66 GF15, SEE TABLE FOR COLOR  
 SHORT, LONG CAP: PA66 GF15, SEE TABLE FOR COLOR  
 GROMMET: E-SEAL VMO (BURNT ORANGE)  
 N-SEAL VMO (RED-ORANGE)  
 BLOCKED VMO (RED-ORANGE)  
 2. THIS RECEPTACLE MATES WITH DT06-6S-XXXX PLUG  
 (XXXX = ALL MODIFICATIONS)  
 1. SECONDARY WEDGE LOCK SOLD SEPARATELY: W6P-XXXX.  
 (XXXX = ALL MODIFICATIONS)  
 NOTES: UNLESS OTHERWISE SPECIFIED

6. MARKING FOR PARTS PRODUCED IN CHINA:  
 -XXXX IDENTIFIES THE MODIFICATION NUMBER,  
 IF APPLICABLE. EXAMPLE: "E003" FOR DT04-6P-E003,  
 OR BLANK FOR DT04-6P  
 -DATE CODE: IDENTIFIES THE YEAR, MONTH, DAY AND HOUR OF ASSEMBLY.  
 YEAR: FIRST AND SECOND DIGIT. (17 = 2017)  
 MONTH: THIRD DIGIT, EXCLUDING 1. A = JAN, B = FEB,  
 C = MARCH ... (K = OCTOBER)  
 DAY: FOURTH AND FIFTH DIGITS (14 = 14th DAY)  
 HOUR: SIXTH AND SEVENTH DIGITS (11 = 11AM)  
 -DIAL DATE CODE LOCATED ON HOUSING AND/OR CAP.  
 -CN LOCATED ON HOUSING AND/OR CAP.  
 5. FOR CONTACT AND WIRE PERFORMANCE AND APPLICATION  
 CHARACTERISTICS SEE CUSTOMER DRAWING 0425-015-0000.

7. MARKING FOR PARTS PRODUCED IN US:  
 -DATE CODE:  
 YEAR TO BE LAST NUMERICAL DIGIT, EX: 1 = 2021  
 MONTH USES SEQUENTIAL ALPHA CHARACTERS, EX: A = JANUARY  
 -DEUTSCH

THIS DRAWING IS A CONTROLLED DOCUMENT.

DIMENSIONS: IN [mm]  
 TOLERANCES UNLESS OTHERWISE SPECIFIED:  
 0 PLC ±  
 1 PLC ±  
 2 PLC ±  
 3 PLC ±.025 (0.64)  
 4 PLC ±  
 ANGLES ±30°/10°  
 MATERIAL FINISH

DWG: A. POLO 15DEC2021  
 CHK: R. MESSENGER  
 APVD: J. GRANTCHAROVA 15DEC2021  
 PRODUCT SPEC: 108-151009  
 APPLICATION SPEC: 114-151009  
 WEIGHT: 44F8U8

NAME: 6 WAY RECEPTACLE, STANDARD SEAL  
 EXTRA THIN SEAL, SHORT AND LONG  
 CAP, DT SERIES  
 SIZE: 44F8U8  
 CAGE CODE: DT04-6P-XXXX  
 RESTRICTED TO: A2

CUSTOMER DRAWING SCALE: 3:1 SHEET: 1 OF 1 REV: A2