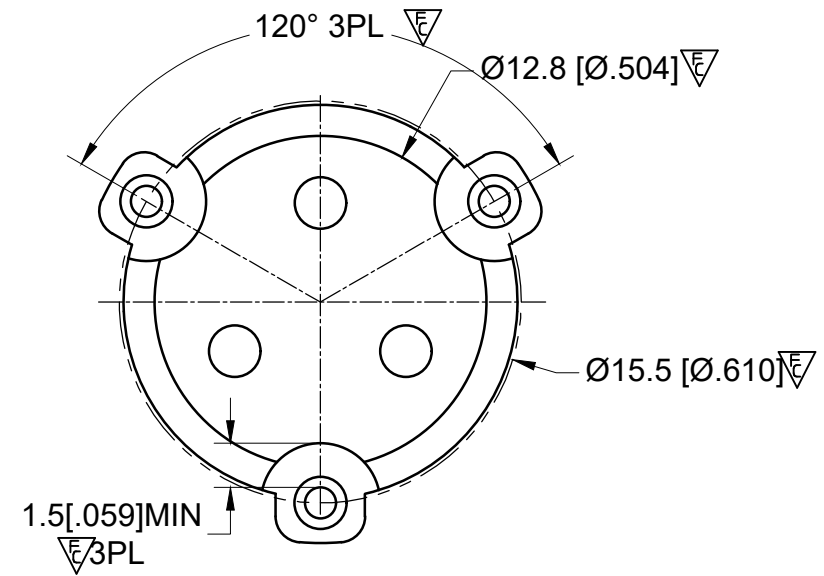
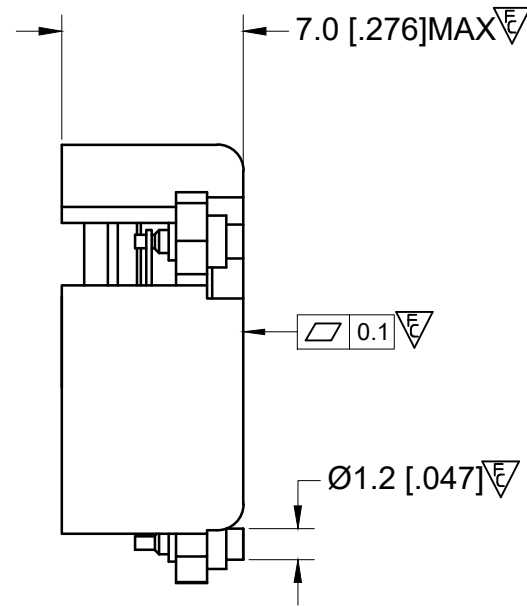
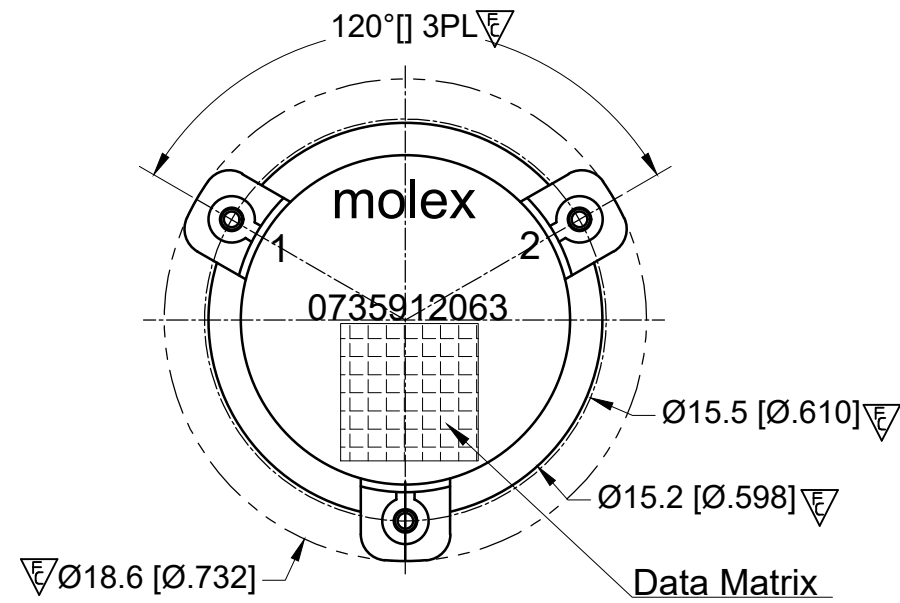
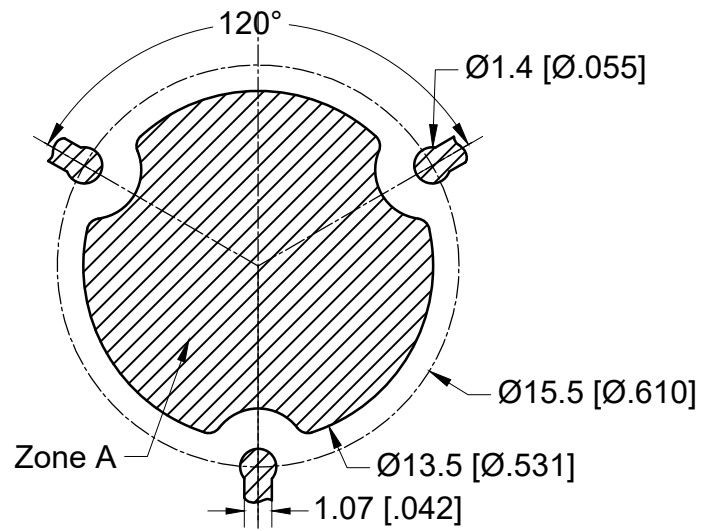
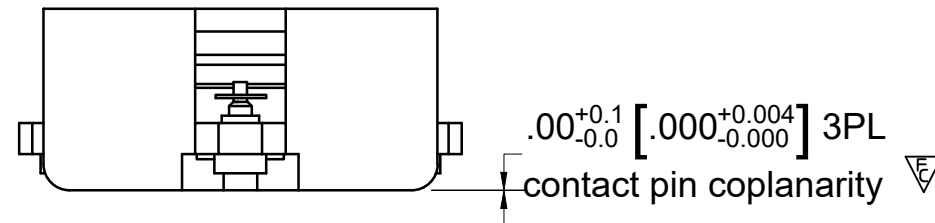


**RECOMMENDED LAND PATTERN :**

Zone A must be attached to heat sink. Thermal conductivity of intermediate layers between Zone A and heat sink must be better than 0.1 W / [°C x mm].



PCB Material :Rogers RO4350B,0.508mm thickness  
trace width 1.07mm wide.



**ELECTRICAL SPECIFICATIONS :**

- Frequency range : 3400~3800MHz
- Isolation : 20 dB min.
- Return loss : 23 dB min.
- Insertion loss : 0.25dB max.
- Attenuation (2 x TX) : 10 dB min
- (3 x TX) : 7 dB min
- (N x TX) : 5 dB min
- Input power(within freq.range) : 80 W max
- Input power peak(within freq.range) : 800 W max
- Reflected power : 80W max
- IM3(50W x 2 tones 5M) : -65 dBc max
- Harmonics (2 x TX @ 100W CW) : 60 dBc min
- (3 x TX @ 100W CW) : 60 dBc min
- Operating temperature range : -40 to +115°C
- Storage temperature range : -40 to +125°C
- Direction : CW

**MATERIAL :**

BODY : STEEL, SILVER PLATED  
PIN : COPPER , SILVER PLATED

**NOTES :**

- 1.STANDARD INPUT/OUTPUT IMPEDANCE 50 Ohm
- 2.LEAD FREE, NO Nd MATERIAL, BeO FREE
- 3.THE DIMENSION OF DATA MATRIX IS 5.3X5.3MM INFORMATION INCLUDING WORK ORDER NUMBER-SERIAL NUMBER-MATERIAL NUMBER
- 4.THIS PART COMPLIES WITH ALL RoHS REQUIREMENTS

**ENG PART#: 802-340-380-WP040**

FUNCTIONAL SYMBOLS	THIS DRAWING CONTAINS INFORMATION THAT IS PROPRIETARY TO MOLEX ELECTRONIC TECHNOLOGIES, LLC AND SHOULD NOT BE USED WITHOUT WRITTEN PERMISSION											
	DIMENSION UNITS		SCALE		CURRENT REV DESC:							
MM		1:1		RELEASE TO PROD								
GENERAL TOLERANCES (UNLESS SPECIFIED)		mm		INCH		EC NO: 696580		2022/02/21		SMSJ CIRCULATOR/3400~3800MHZ/CW		
4 PLACES ±0.25 ±----		±----		±----		DRWN: SREN05		2022/02/23				
3 PLACES ±0.05 ±----		±----		±----		CHK'D: JLI252		2022/03/01	RESTRICTED PRODUCT CUSTOMER DRAWING			
2 PLACES ±0.13 ±----		±----		±----		APPR: HWANG186		2022/03/01				
1 PLACE ±0.25 ±----		±----		±----		INITIAL REVISION:		DOCUMENT NUMBER		735912063		
0 PLACES ±0.4 ±----		±----		±----		DRWN: SREN05		2021/11/12	DOC TYPE		DOC PART	REVISION
ANGULAR TOL ± 1.5 °		±----		±----		APPR: HWANG186		2022/03/01	PSD	000	A	
DRAFT WHERE APPLICABLE MUST REMAIN WITHIN DIMENSIONS		THIRD ANGLE PROJECTION		DRAWING		SERIES		MATERIAL NUMBER		CUSTOMER		SHEET NUMBER
				A3-SIZE		73591		0735912063		CUSTOM PART		1 OF 1