

### Ø 36 mm 16 Watts 16 W Part number 82740001



- Long service life
- With varistor EMC filtering
- Optional class B interference suppression
- Optional encoder with class B interference suppression

#### Part numbers

	Type	Type	Voltage	References
82740001	16 W	827400	12 V	Without option

#### Specifications

##### No-load characteristics

Speed of rotation (rpm)	3900
Absorbed power (W)	1,9
Absorbed current (A)	0,16

##### Nominal characteristics

Speed (rpm)	3000
Torque (mNm)	35
Usable power (W)	11
Absorbed power (W)	16,8
Absorbed current (A)	1,4
Gearbox case temperature rise (°C)	27
Efficiency (%)	65

##### General characteristics

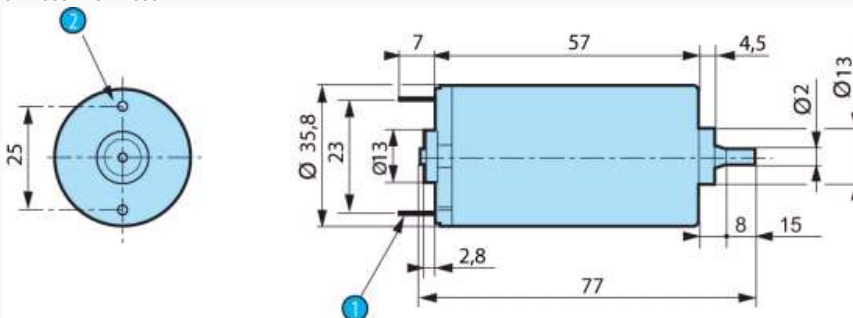
Coil wire insulation class	H
Protection rating	IP 20
Max. output power (W)	15,8
Start torque (mNm)	155
Starting current (A)	5,5
Resistance (Ω)	2
Inductance (mH)	2
Torque constant (Nm/A)	0,029
Electrical time constant (ms)	0,9
Mechanical time constant (ms)	12,2
Thermal time constant (mn)	6,5
Inertia (g.cm <sup>2</sup> )	45
Weight (g)	200
Number of segments	5
Service life (h)	3000
Sintered bronze bearings	▪

#### Made to order products, available on request

- 1, 5 or 12 pulse encoder
- Characteristics as per specification

#### Dimensions (mm)

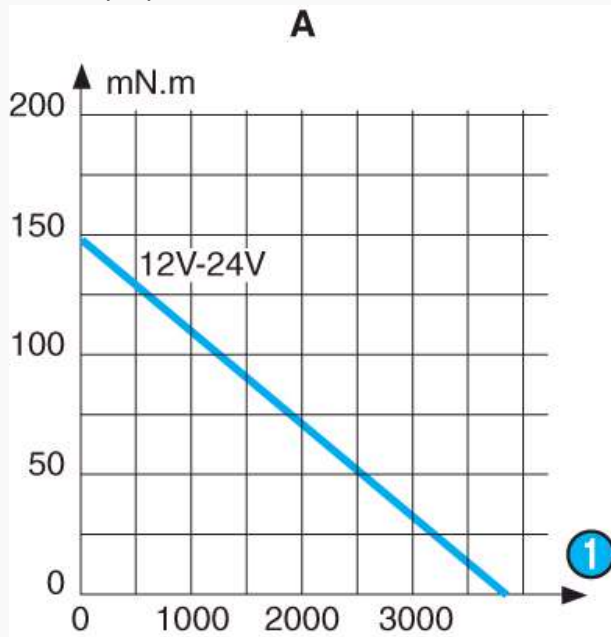
82740001 - 82740002



N°	Legend
1	2 solder tags 4.75 x 0.5 mm
2	2 holes M3 : screw depth max. 3 mm

Curves

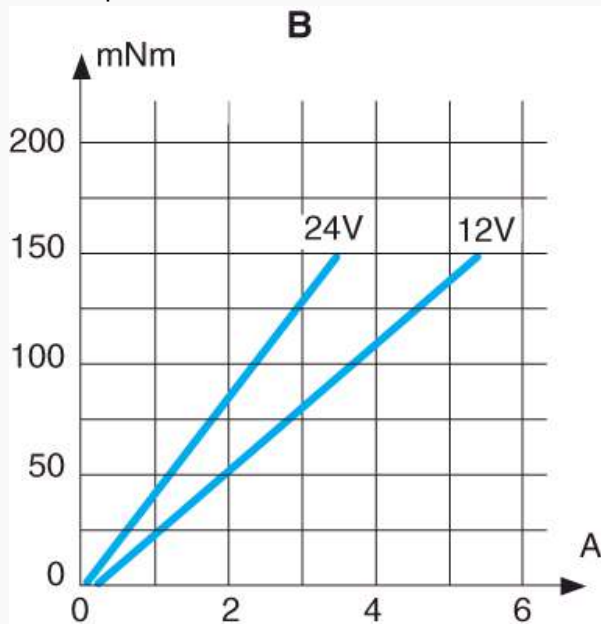
Curve : torque/speed 827400



N°	Legend
1	rpm

Curves

Curve : torque/current 827400



Product adaptations



- Encoder with different number of pulses per revolution
- Push-fit pinion
- Additional connectors