



C201370A Series



Hologen Free

1. Features of C201370A Series :

- 27.5 × 18.5mm Max.(L×W), 32.5mm Max. Height.
- Inductance range: 1.0mH~5.0mH, Custom values are welcomed.
- AC common mode noise filter for Power Supplies and Lighting Application.
- Rated Voltage: 250VAC.
- Dielectric strength:1500Vrms,winding to winding.
- UL 94 V-0 Material
- Operating temperature: -40 to +125°C.
- RoHS & HF compliance Components.

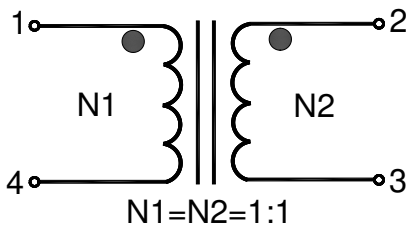
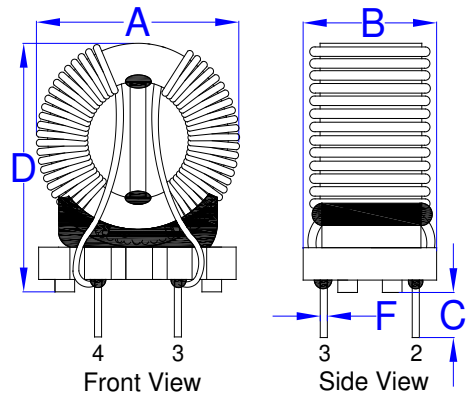


2. Electrical Characteristics of C201370A Series:

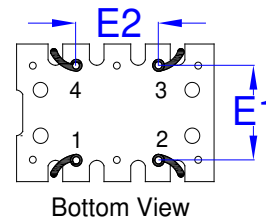
ITG Part Number	OCL(PIN1-4/2-3) ¹	DCR	Irated ²
	(mH) ± 30%	(mΩ) Max. @25°C	(A) Max. @25°C
C201370A-102NHF	1.00	10.50	8.20
C201370A-152NHF	1.50	15.00	6.80
C201370A-222NHF	2.20	20.00	6.00
C201370A-332NHF	3.30	35.00	4.50
C201370A-502NHF	5.00	63.50	3.30

3. Mechanical Dimension of C201370A Series (Unit:mm):

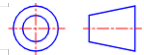
A	B	C	D	E1	E2	F
Max.	Max.	±0.50	Max.	±0.50	±0.50	±0.10
27.50	18.50	5.00	32.50	12.00	10.00	Φ1.00



SCHEMATIC DIAGRAM



Third Angle Projection:



Notes:

1. Open Circuit Inductance (OCL) measured at 10KHz,0.1mA@ 25°C.
2. Irated: Irate is defined as the applied current level that cause 40 °C temperature rise without force air flow.
3. Impedance measures with both windings in parallel and at ambient temperature(25°C).



4. Impedance vs Frequency Curve of C201370A Series :

