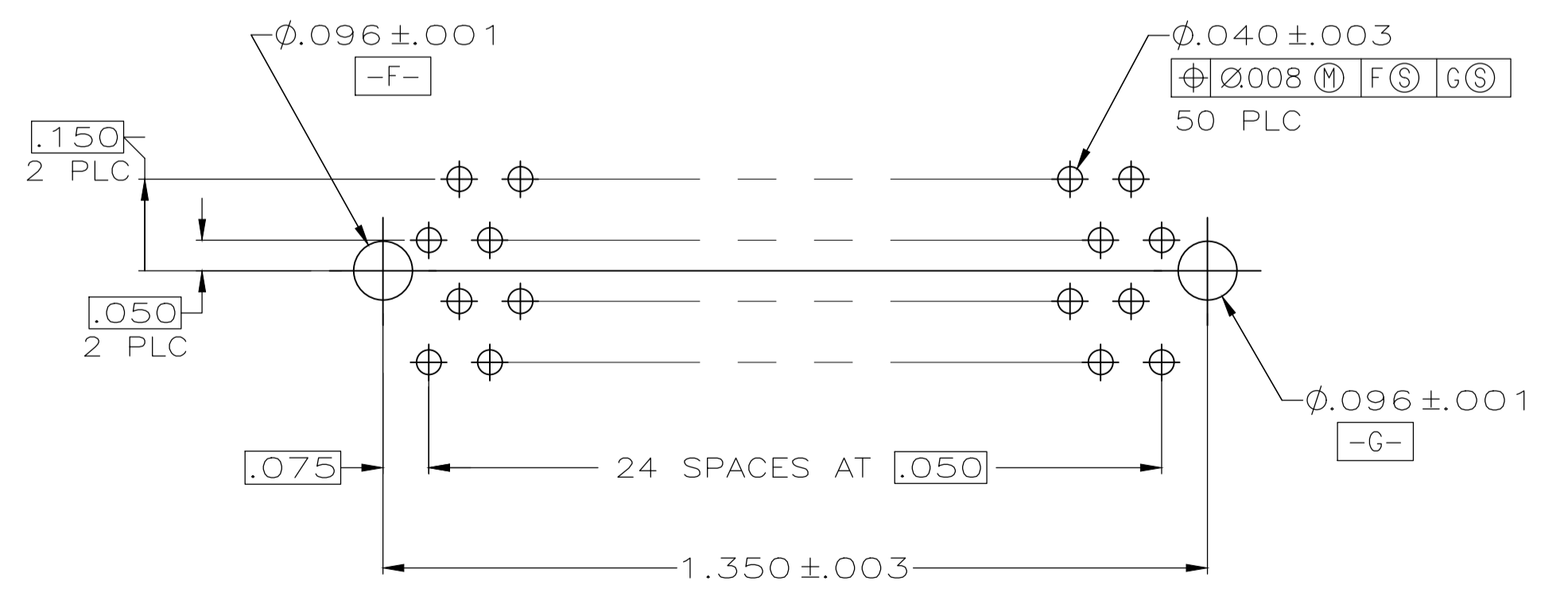
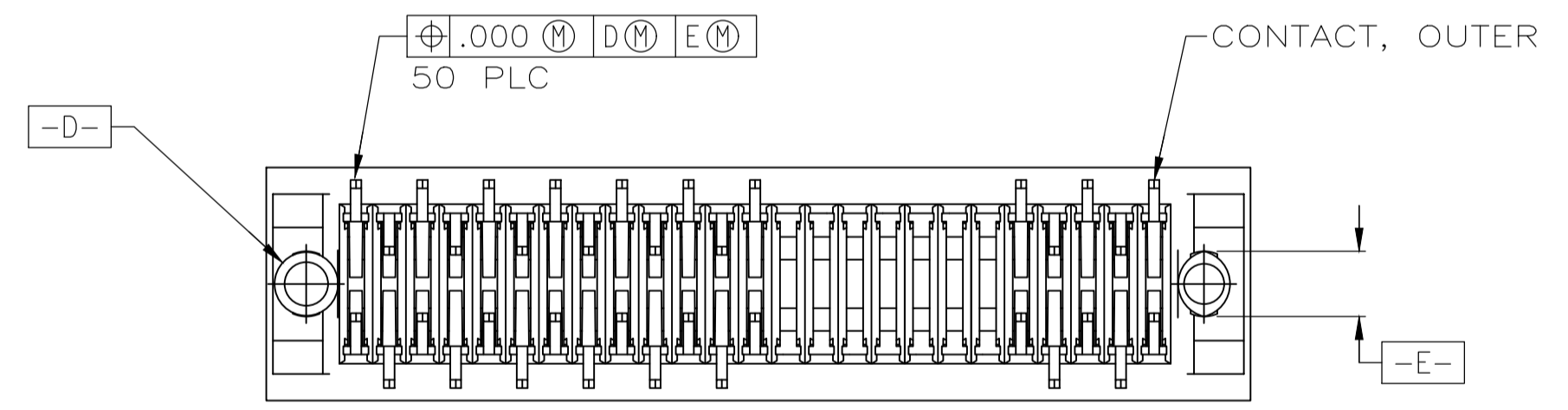
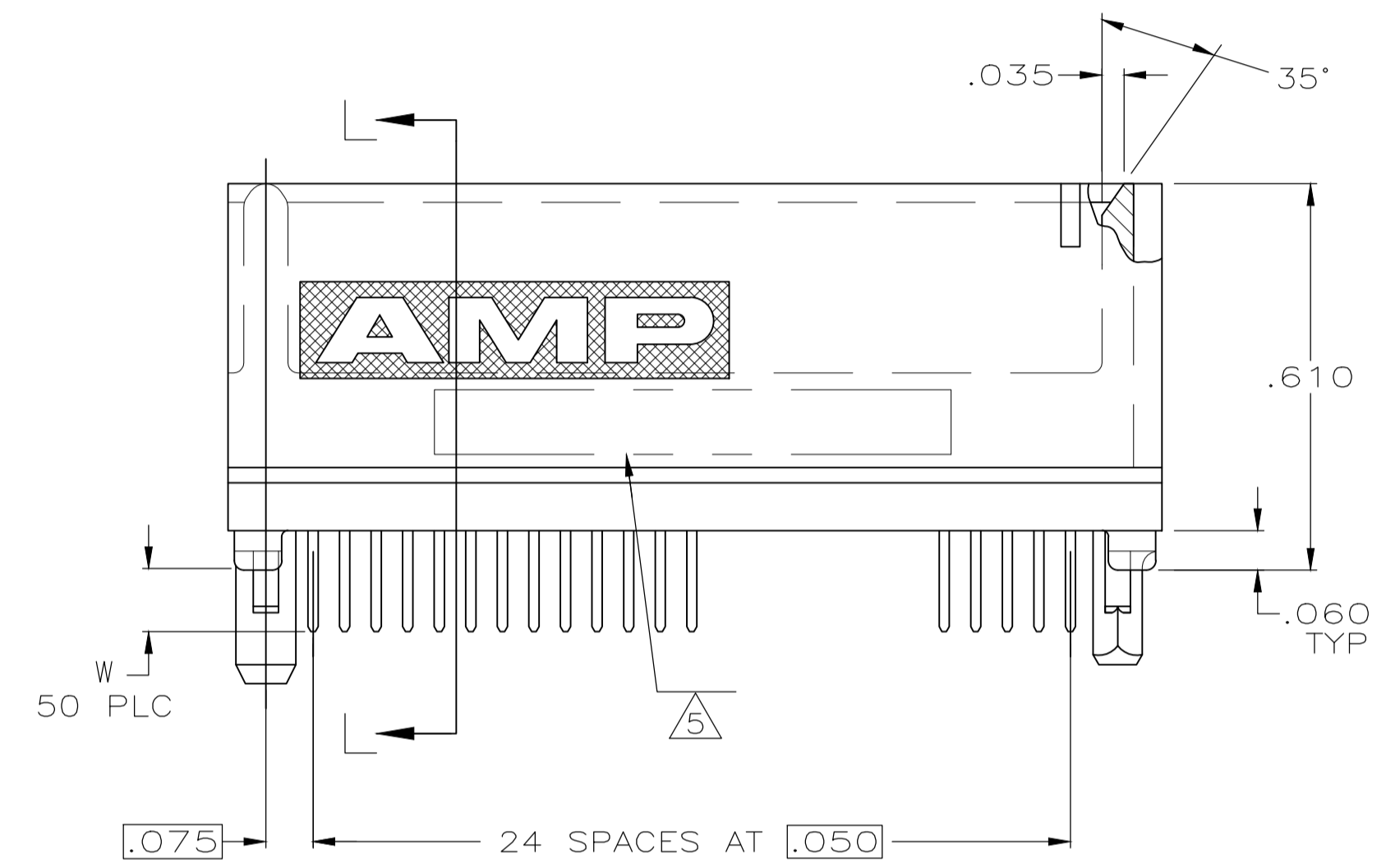
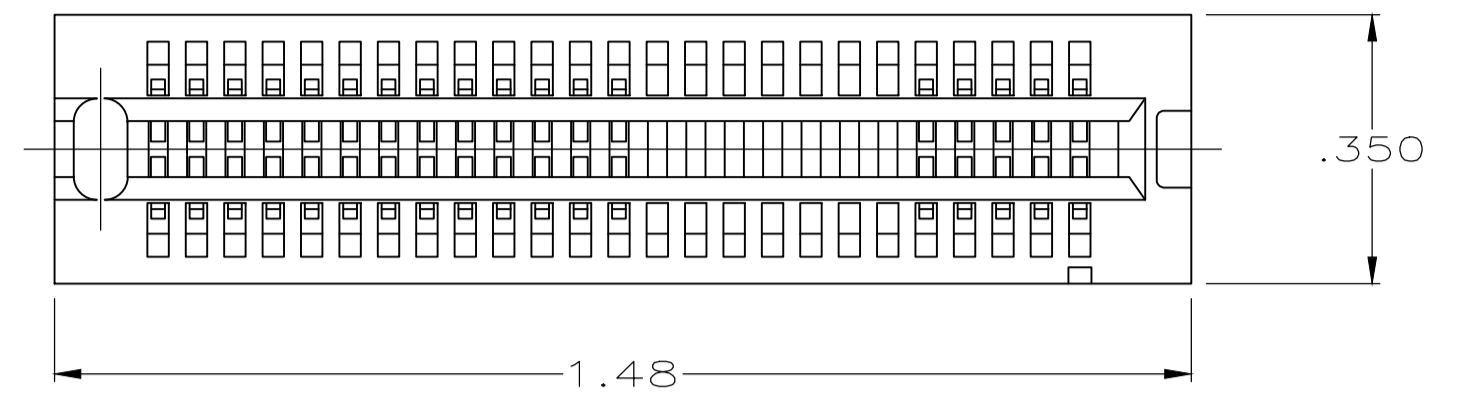
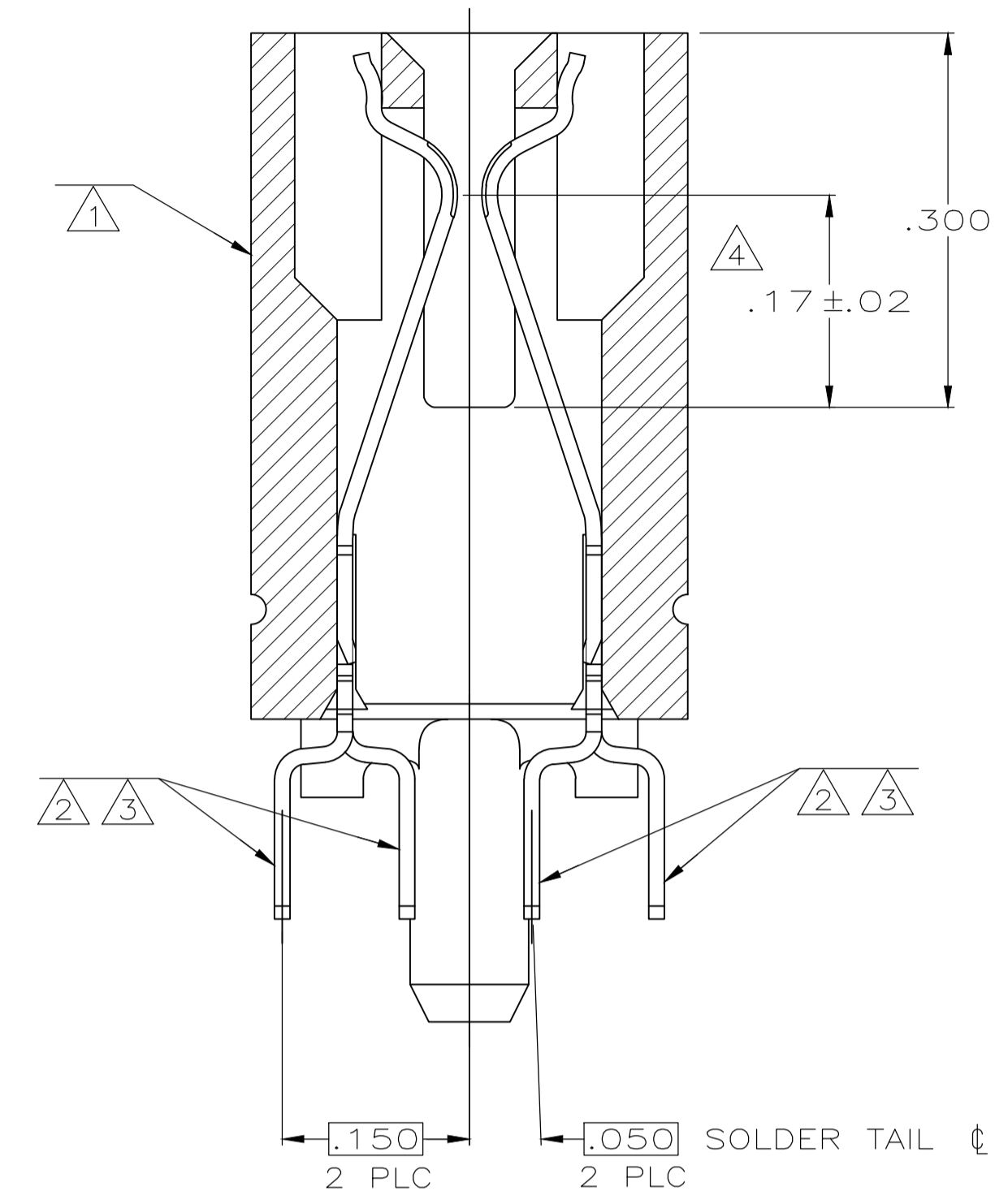


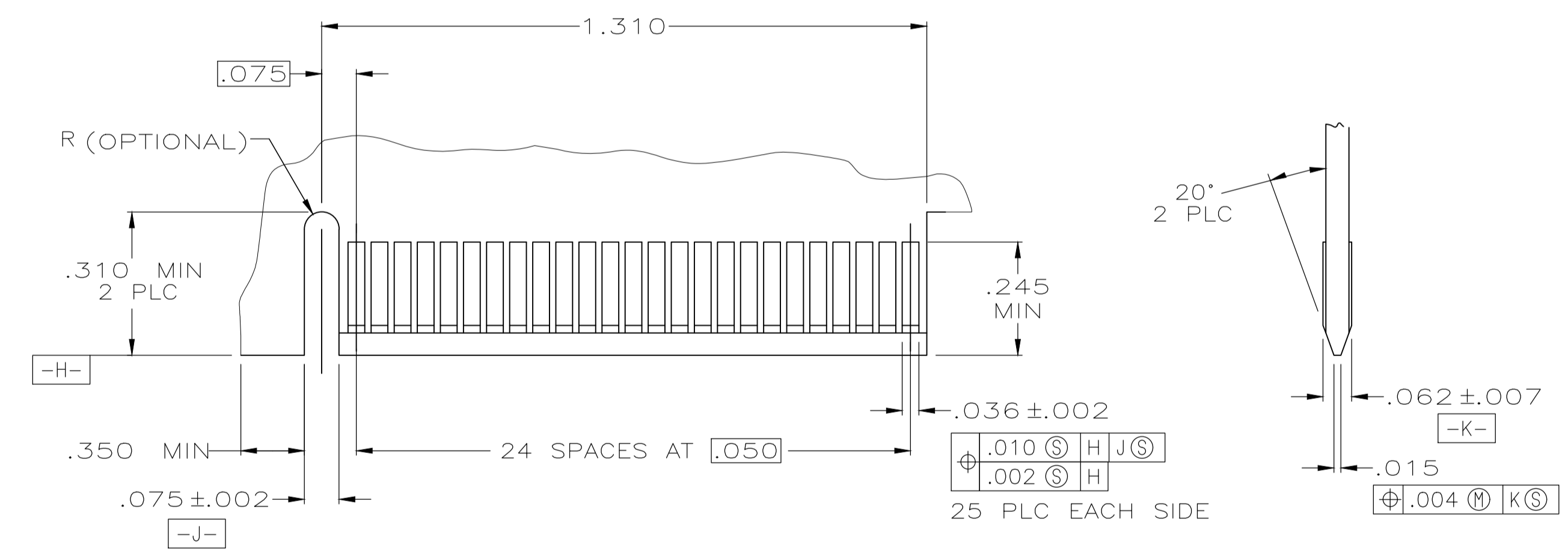
| REVISIONS | | | | | |
|-----------|-----|---------------|-----------|-----|------|
| P | LTR | DESCRIPTION | DATE | DMN | APVD |
| B | | ECO-18-017215 | 03DEC2018 | FL | HL |



RECOMMENDED CONNECTOR MOUNTING HOLE PATTERN (CONNECTOR SIDE SHOWN)



SECTION L-L SCALE 8:1



RECOMMENDED MATING BOARD EDGE CONFIGURATION

- 1 HOUSING: HIGH TEMPERATURE THERMOPLASTIC. COLOR: BROWN.
- 2 CONTACT: PHOSPHOR BRONZE.
- 3 CONTACT FINISH: .000100 MIN NICKEL ALL OVER. .000030 MIN GOLD OVER NICKEL IN CONTACT AREA. .000100 MIN TIN-LEAD OVER NICKEL ON SOLDER TAILS.
- 4 DISTANCE FROM CONTACT POINT TO BOTTOM OF CARD SLOT.
- 5 AMP PART NUMBER, DATE CODE AND CSA LOGO MARKED IN APPROXIMATE AREA SHOWN.
- 6 PINS NO. 11 THRU NO.24 ARE NOT LOADED INTO HOUSING.

| | | | | | | | | | | | | | | | | | | | | | | | | | | | | | |
|---|-----------|--|---------------|---------------------------|-------|-------|--------|-------|-----|-------|-----|--------|-----|--|--|------|-----------|------------|---------------|----|-------|---------|---|--|--|------|-----|---------|---|
| THIS DRAWING IS A CONTROLLED DOCUMENT. | | DIN R GRZYBOWSKI 13JUN08 | | TE Connectivity | | | | | | | | | | | | | | | | | | | | | | | | | |
| DIMENSIONS: INCHES | | TOLERANCES UNLESS OTHERWISE SPECIFIED: | | APVD S FLICKINGER 13JUN08 | | | | | | | | | | | | | | | | | | | | | | | | | |
| <table border="1"> <tr><td>0 PLC</td><td>± -</td></tr> <tr><td>1 PLC</td><td>± .01</td></tr> <tr><td>2 PLC</td><td>± .005</td></tr> <tr><td>3 PLC</td><td>± -</td></tr> <tr><td>4 PLC</td><td>± -</td></tr> <tr><td>ANGLES</td><td>± -</td></tr> </table> | | 0 PLC | ± - | 1 PLC | ± .01 | 2 PLC | ± .005 | 3 PLC | ± - | 4 PLC | ± - | ANGLES | ± - | <table border="1"> <tr><td>SIZE</td><td>CAGE CODE</td><td>DRAWING NO</td><td>RESTRICTED TO</td></tr> <tr><td>A1</td><td>00779</td><td>1489982</td><td>-</td></tr> </table> | | SIZE | CAGE CODE | DRAWING NO | RESTRICTED TO | A1 | 00779 | 1489982 | - | <table border="1"> <tr><td>DATE</td><td>REV</td></tr> <tr><td>13JUN08</td><td>1</td></tr> </table> | | DATE | REV | 13JUN08 | 1 |
| 0 PLC | ± - | | | | | | | | | | | | | | | | | | | | | | | | | | | | |
| 1 PLC | ± .01 | | | | | | | | | | | | | | | | | | | | | | | | | | | | |
| 2 PLC | ± .005 | | | | | | | | | | | | | | | | | | | | | | | | | | | | |
| 3 PLC | ± - | | | | | | | | | | | | | | | | | | | | | | | | | | | | |
| 4 PLC | ± - | | | | | | | | | | | | | | | | | | | | | | | | | | | | |
| ANGLES | ± - | | | | | | | | | | | | | | | | | | | | | | | | | | | | |
| SIZE | CAGE CODE | DRAWING NO | RESTRICTED TO | | | | | | | | | | | | | | | | | | | | | | | | | | |
| A1 | 00779 | 1489982 | - | | | | | | | | | | | | | | | | | | | | | | | | | | |
| DATE | REV | | | | | | | | | | | | | | | | | | | | | | | | | | | | |
| 13JUN08 | 1 | | | | | | | | | | | | | | | | | | | | | | | | | | | | |
| MATERIAL HOUSING: 1 CONTACT: 3 | | WEIGHT 0.000000 | | CUSTOMER DRAWING | | | | | | | | | | | | | | | | | | | | | | | | | |
| | | SCALE 4:1 | | SHEET 1 OF 1 | | | | | | | | | | | | | | | | | | | | | | | | | |