

Galvanic isolated octal high-side power solid state relay for high inductive loads



PowerSO-36

Product status link

[ISO808](#)
[ISO808-1](#)

Product label



Features

- $V_{CC(AMR)} = 45\text{ V}$
- Wide process side op. range $V_{CC} = 9.2\text{ to }36\text{ V}$
- $R_{DS(on)} = 0.125\ \Omega$ per channel (TYP)
- Fast demagnetization of inductive loads $V_{DEMAG(TYP)} = V_{CC} - 54\text{ V}$
- Per channel process side op. current
 - ISO808 $I_{OUT} < 0.7\text{ A}$
 - ISO808-1 $I_{OUT} < 1\text{ A}$
- Low process and logic sides supply current
- Under-voltage shut down with auto restart and hysteresis
- Logic side 5 V and 3.3 V TTL/CMOS and MCU compatible I/Os
- Common output enable/disable pin
- Reset function for IC outputs disable
- High common mode transient immunity
- Short circuit protection on output channels
 - ISO808 $I_{LIM(MIN)} = 0.7\text{ A}$
 - ISO808 $I_{LIM(MIN)} = 1\text{ A}$
- Per-channel over-temperature protection with thermal independence of separate channels
- Case over-temperature protection
- Over-voltage protection (V_{CC} clamping)
- Loss of GND and V_{CC} protections
- Common fault open drain diagnostic
- Designed to meet IEC 61000-4-2, IEC 61000-4-4, IEC 61000-4-5 and IEC 61000-4-8
- UL1577 and UL508 certified
- PowerSO-36 Package

Applications

- Programmable logic control
- Industrial PC peripheral input/output
- Numerical control machines
- Drivers for all type of loads (resistive, capacitive, inductive)

Description

The ISO808 and ISO808-1, are galvanic isolated 8-channel drivers featuring a low supply current. Each driver contains 2 independent galvanic isolated voltage domains (V_{CC} and V_{DD} for the Process and Control Logic stages, respectively). The ICs are intended for driving any kind of load with one side connected to ground.

Active channel current limitation (OVL) combined with thermal shutdown (OVT), independent for each channel, protects the device against overload.

Built-in thermal shutdown protects each channel from overtemperature and overload: each overheated channel automatically turns OFF after its junction temperature triggers the protection threshold (T_{JSD}). The channel turns back ON if its junction temperature decreases lower than restart threshold (T_{JR}).

An additional case temperature sensor protects the whole chip against overtemperature (OVC event): if the case temperature triggers the T_{CSD} threshold then overloaded channels are turned OFF and restart only when case temperature decreased down to the reset threshold (T_{CR}). Non overloaded channels continue to operate normally.

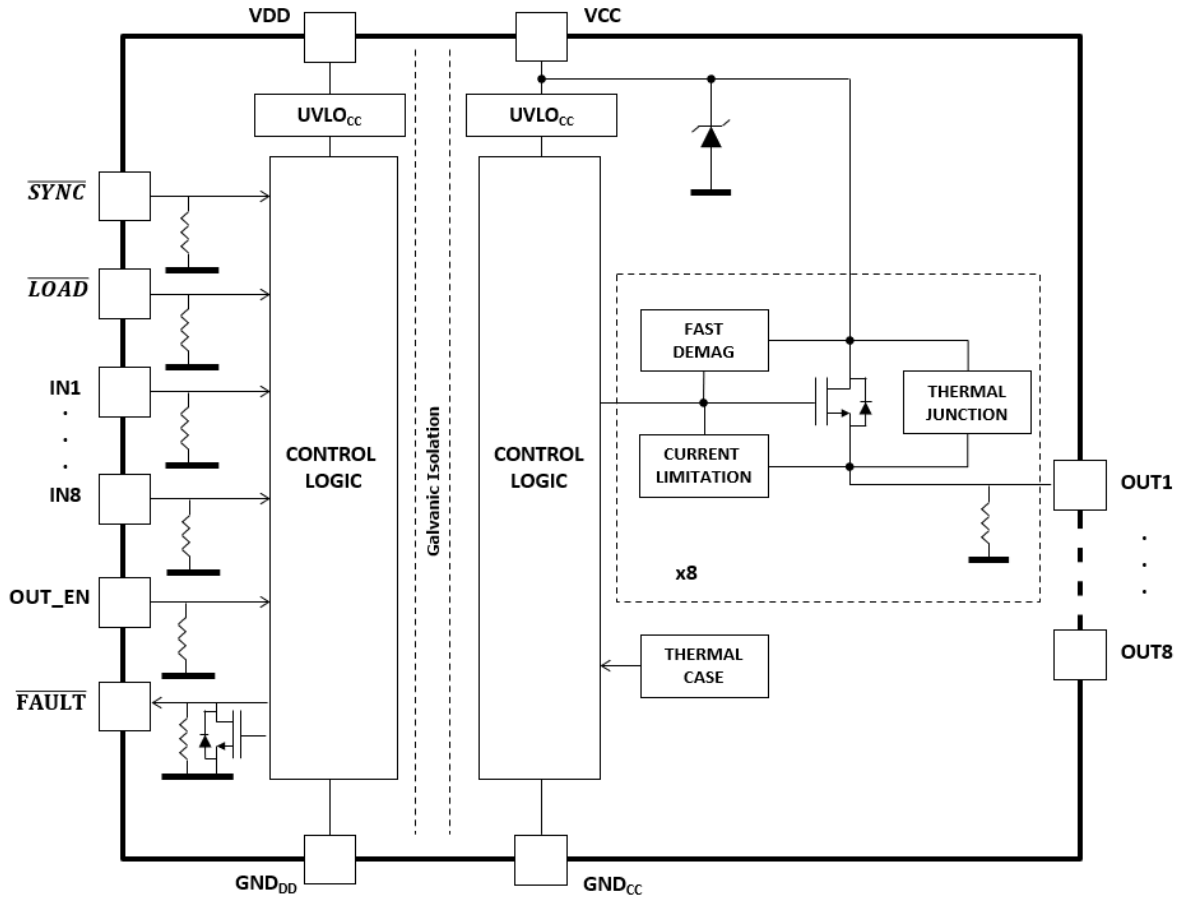
Other embedded functions are loss of ground protection, V_{CC} and V_{DD} UVLOs (with hysteresis), and watchdog.

An internal circuit provides an OR-wired not latched OVT that is reported on the common \overline{FAULT} indicator pin. \overline{FAULT} is an open drain, active low, fault indication pin.

The Synchronous Control Mode (by driving \overline{SYNC} and \overline{LOAD} pins independently) is used to reduce the jittering of the outputs and to drive at the same time the outputs of different devices.

1 Block diagram

Figure 1. Block diagram



2 Pin connection

Figure 2. Pin connection PowerSO-36 (top through view)

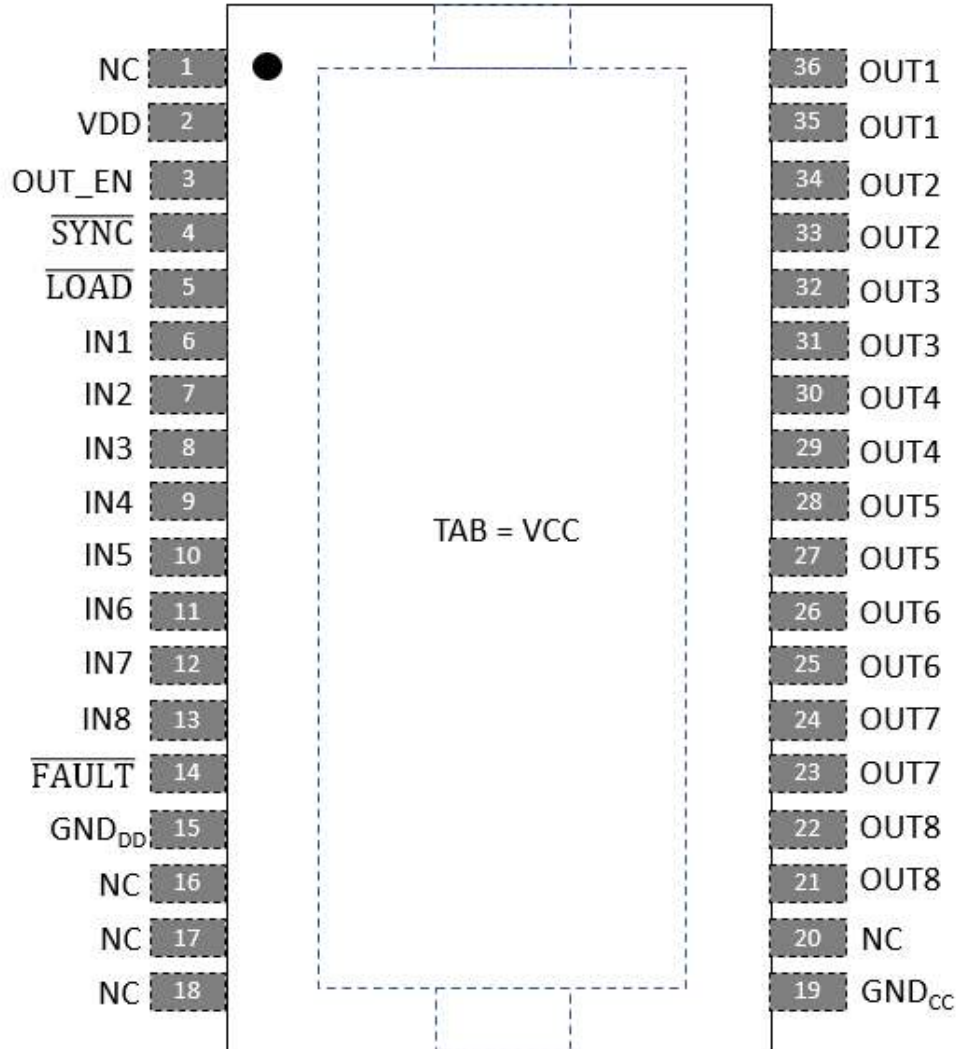


Table 1. Pin description

Pin	Name	Description
1	N.C.	Not connected
2	V _{DD}	Positive Control Logic Stage supply
3	OUT_EN	Output enable
4	$\overline{\text{SYNC}}$	Input to output synchronization signal, active low
5	$\overline{\text{LOAD}}$	Load input data signal, active low
6	IN1	Channel 1 input
7	IN2	Channel 2 input
8	IN3	Channel 3 input
9	IN4	Channel 4 input
10	IN5	Channel 5 input
11	IN6	Channel 6 input
12	IN7	Channel 7 input
13	IN8	Channel 8 input
14	$\overline{\text{FAULT}}$	Common fault (OVT and Internal Communication Error) diagnostic pin - active low
15	GND _{DD}	Input logic ground, negative logic supply
16	NC	Not connected
17	NC	Not connected
18	NC	Not connected
19	GND _{CC}	Output power ground
20	NC	Not connected
21	OUT8	Channel 8 power output
22		
23	OUT7	Channel 7 power output
24		
25	OUT6	Channel 6 power output
26		
27	OUT5	Channel 5 power output
28		
29	OUT4	Channel 4 power output
30		
31	OUT3	Channel 3 power output
32		
33	OUT2	Channel 2 power output
34		
35	OUT1	Channel 1 power output
36		
TAB	V _{CC}	Exposed tab internally connected to V _{CC} positive Process Stage supply voltage

3 Absolute maximum ratings

Table 2. Absolute maximum ratings

Symbol	Parameter	Min.	Max.	Unit
V _{CC}	Process Stage supply Voltage	-0.3	+45	V
V _{DD}	Control Logic Stage supply Voltage	-0.3	+6	V
V _{IN}	DC Input pins (IN _X , $\overline{\text{LOAD}}$, $\overline{\text{SYNC}}$ and OUT_EN) Voltage	-0.3	V _{DD}	V
V _{FAULT}	$\overline{\text{FAULT}}$ pin Voltage	-0.3	+6.0	V
I _{GNDdd}	DC digital ground Reverse Current		-25	mA
I _{OUT}	Channel Output Current (continuous)		Internally limited	A
I _{GNDcc}	DC Power Ground Reverse Current		-250	mA
I _{RX}	Single pin Reverse Output Current (from OUT _x pins to V _{CC})		-2	A
I _{RT}	Total Reverse Output Current (from OUT _x pins to V _{CC}) @ T _{AMB} 25 °C		-24	A
I _{IN}	DC Input pins (IN _X , $\overline{\text{LOAD}}$, $\overline{\text{SYNC}}$ and OUT_EN) current	-10	+10	mA
I _{FAULT}	$\overline{\text{FAULT}}$ pin Current	-10	+10	mA
V _{ESD}	Electrostatic discharge with Human Body Model (R = 1.5 kΩ; C = 100 pF)		2000	V
V _{IO}	Isolation voltage applied between GND _{DD} and GND _{CC} pins		180	V _{PEAK}
EAS	Single pulse avalanche energy per channel, all channels driven simultaneously @ T _{AMB} = 125 °C, I _{OUT} = 0.6 A		2.11	J
P _{TOT}	Power dissipation		Internally limited ⁽¹⁾	W
T _J	Junction operating temperature		Internally limited ⁽¹⁾	°C
T _{STG}	Storage Temperature		-40 to 150	°C

1. Protection functions are intended to avoid IC damage in fault conditions and are not intended for continuous operation. Continuous or repetitive operation of protection functions may reduce the IC lifetime.

4 Thermal data

Table 3. Thermal data

Symbol	Parameter	Max. value	Unit
$R_{th\ j-case}$	Thermal resistance, junction-to-case ⁽¹⁾	0.8	°C/W
$R_{th\ j-amb}$	Thermal resistance, junction-to-ambient ⁽²⁾	16.9	

1. R_{th} between the die and the bottom case surface measured by cold plate as per JESD51-12.
2. JESD51-7.

5 Electrical characteristics

9.2 V ≤ V_{CC} ≤ 36 V; 2.75 V ≤ V_{DD} ≤ 5.5 V; -40 °C < T_J < 125 °C, unless otherwise specified.

Table 4. Power section

Symbol	Parameter	Test conditions	Min.	Typ.	Max.	Unit
V _{CC}	Operating voltage range		9.2		36	V
V _{CC(THON)}	V _{CC} undervoltage turn-on threshold	V _{DD} = 3.3 V, V _{CC} increasing		8.4	9.2	V
V _{CC(THOFF)}	V _{CC} undervoltage turn-off threshold	V _{DD} = 3.3 V, V _{CC} decreasing	7.7	8.1		V
V _{CC(HYS)}	V _{CC} undervoltage hysteresis			0.15		V
V _{CCclamp}	Clamp on VCC pin	I _{clamp} = 20 mA	47	52	57	V
R _{DS(ON)}	ON state resistance (see Figure 3)	I _{OUT} = 0.5 A, T _J = 25 °C		0.125	0.16	Ω
		I _{OUT} = 0.5 A, T _J = 125 °C			0.26	
I _{CC}	Power supply current	All channels in OFF state, V _{CC} = 36 V		5.5		mA
		All channels in ON state, V _{CC} = 36 V		16		
I _{LGND}	Ground disconnection output current	V _{CC} = V _{GND} = 0 V, V _{OUT} = -24 V			500	μA
V _{OUT(OFF)}	OFF state output voltage	Channel OFF and I _{OUT} = 0 A			3	V
I _{OUT(OFF)}	OFF state output current	Channel OFF and V _{OUT} = 0 V			5	μA

Table 5. Digital supply voltage

Symbol	Parameter	Test conditions	Min.	Typ.	Max.	Unit
V _{DD}	Operating voltage range		2.75		5.5	V
V _{DD(THON)}	V _{DD} undervoltage turn-on threshold	V _{CC} = 24 V, V _{DD} increasing	2.55		2.75	V
V _{DD(THOFF)}	V _{DD} undervoltage turn-off threshold	V _{CC} = 24V, V _{DD} decreasing	2.45		2.65	V
V _{DD(HYS)}	V _{DD} undervoltage hysteresis		0.04	0.1		V
I _{DD}	V _{DD} supply current	V _{DD} = 5 V and input channel with a steady logic level		4.5	6	mA
		V _{DD} = 3.3 V and input channel with a steady logic level		4.4	5.9	mA

Table 6. Diagnostic pin and output protection function

Symbol	Parameter	Test conditions	Min.	Typ.	Max.	Unit	
V _{FAULT}	FAULT pin open drain voltage output low	I _{FAULT} = 5 mA			0.4	V	
I _{LFAULT}	FAULT output leakage current	V _{FAULT} = 5 V			1	μA	
I _{PEAK}	Maximum DC output current before limitation	V _{CC} = 24 V R _{LOAD} = 0 Ω			2.3	A	
I _{LIM}	Short circuit current limitation		ISO808	0.7		1.9	A
			ISO808-1	1			
Hyst	I _{LIM} tracking limits				0.3		A
T _{JSD}	Junction shutdown temperature		150	175	200	°C	
T _{JR}	Junction reset temperature			150		°C	
T _{JHYST}	Junction thermal hysteresis			15		°C	
T _{CSD}	Case shutdown temperature		125	130	135	°C	
T _{CR}	Case reset temperature			115		°C	
T _{CHYST}	Case thermal hysteresis			15		°C	
V _{DEMAG}	Output voltage at turn-off	I _{OUT} = 0.5 A; I _{LOAD} ≥ 1 mH	V _{CC} -50	V _{CC} -54	V _{CC} -58	V	

Table 7. Power switching characteristics (V_{CC} = 24 V; R_{LOAD} = 48 Ω; -40 °C < T_J < 125 °C)

Symbol	Parameter	Test conditions	Min.	Typ.	Max.	Unit	
dV/dt(ON)	Turn-on voltage slope	(see Figure 4)		0.7		V/μs	
t _r	Rise time			19	32	μs	
dV/dt(OFF)	Turn-off voltage slope				1.5		V/μs
t _f	Fall time				7	23	μs
t _d (ON)	Turn-ON delay time	(see Figure 5, Figure 6)		15	24	μs	
t _d (OFF)	Turn-OFF delay time			43	80	μs	
t _w (OUT_EN)	OUT_EN pulse width	(see Figure 8, Figure 9)	150			ns	
t _p (OUT_EN)	OUT_EN propagation delay			40	80	μs	

Figure 3. $R_{DS(on)}$ measurement

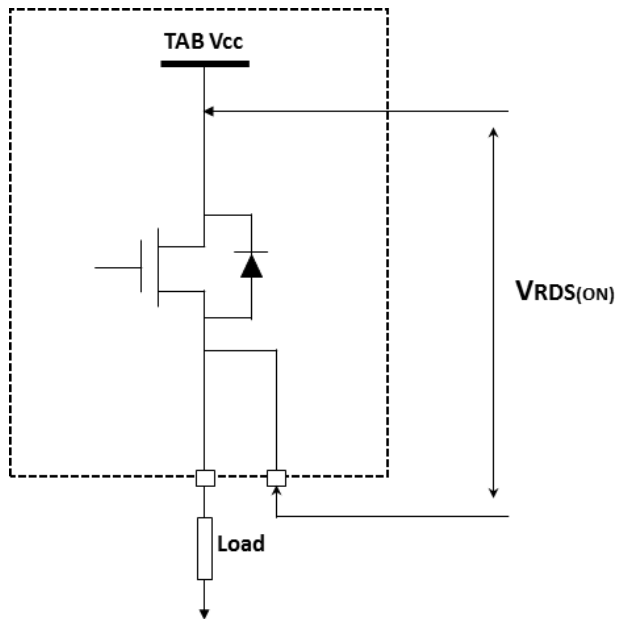


Figure 4. dV/dT definition

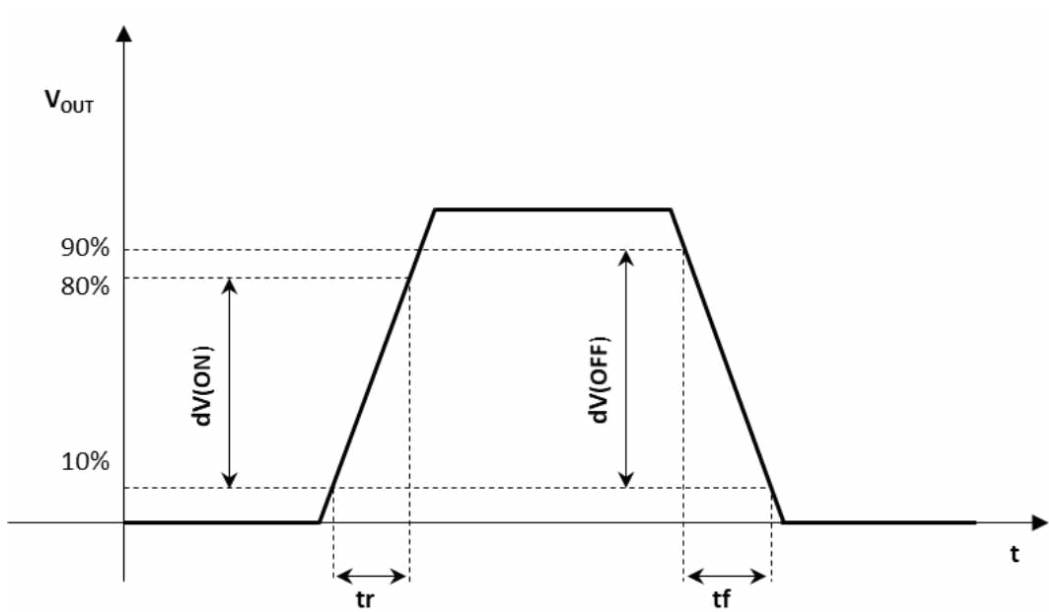


Figure 5. $t_d(\text{ON})$ - $t_d(\text{OFF})$ Synchronous Control Mode (SCM)

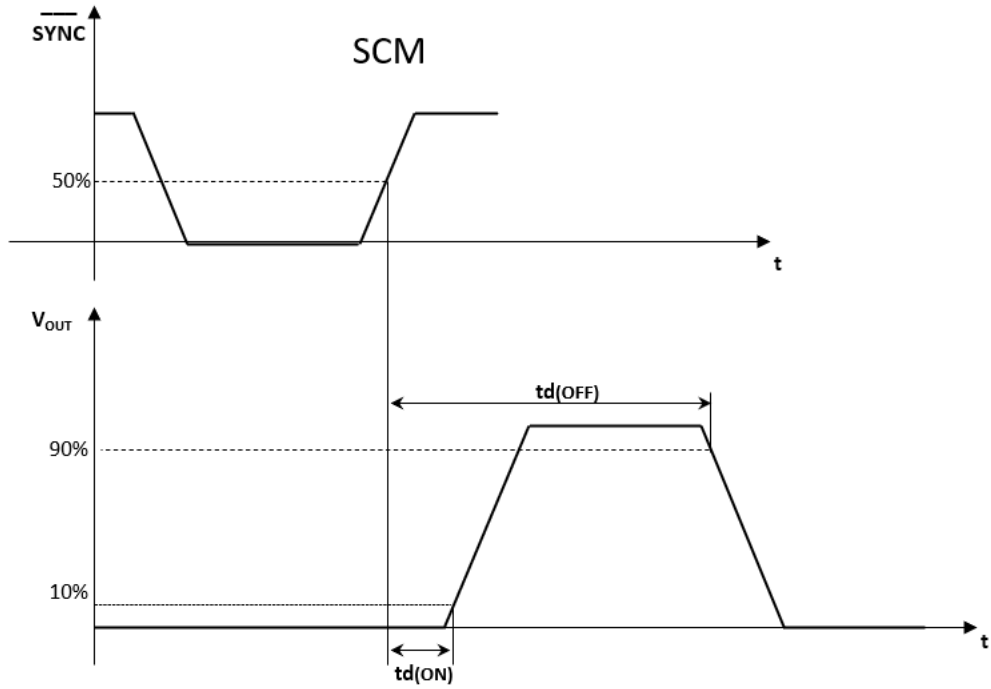


Figure 6. $t_d(\text{ON})$ - $t_d(\text{OFF})$ Direct Control Mode (DCM)

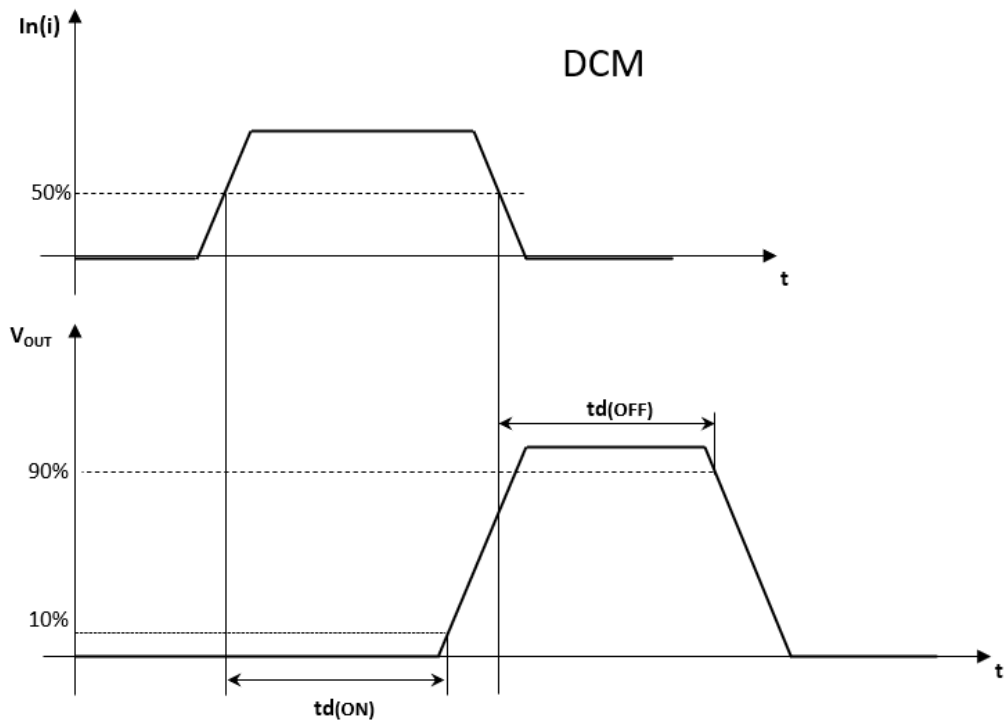


Table 8. Logic inputs and output

Symbol	Parameter	Test conditions	Min.	Typ.	Max.	Unit
V _{IL}	$\overline{\text{LOAD}}$, $\overline{\text{SYNC}}$, IN _X and OUT_EN low level voltage		-0.3		0.3 x V _{DD}	V
V _{IH}	$\overline{\text{LOAD}}$, $\overline{\text{SYNC}}$, IN _X and OUT_EN high level voltage		0.7 x V _{DD}		V _{DD} +0.3	V
V _{I(HYST)}	$\overline{\text{LOAD}}$, $\overline{\text{SYNC}}$, IN _X and OUT_EN hysteresis voltage	V _{DD} = 5 V		100		mV
I _{IN}	$\overline{\text{LOAD}}$, $\overline{\text{SYNC}}$, IN _X and OUT_EN current	V _{IN} = 5 V	10	55	90	μA

Table 9. Parallel interface timings (V_{DD} = 5 V; V_{CC} = 24 V; -40 °C < T_J < 125 °C)

Symbol	Parameter	Test conditions	Min.	Typ.	Max.	Unit
t _{dis(SYNC)}	SYNC disable time	Sync. control mode	10			μs
t _{dis(DCM)}	SYNC, $\overline{\text{LOAD}}$ disable time	Direct control mode	80			ns
t _{w(SYNC)}	$\overline{\text{SYNC}}$ negative pulse width	Sync. control mode	20		195	μs
t _{su(LOAD)}	$\overline{\text{LOAD}}$ setup time	Sync. control mode	80			ns
t _{h(LOAD)}	$\overline{\text{LOAD}}$ hold time	Sync. control mode	400			ns
t _{w(LOAD)}	$\overline{\text{LOAD}}$ pulse width	Sync. control mode	240			ns
t _{su(IN)}	Input setup time		80			ns
t _{h(IN)}	Input hold time		10			ns
t _{w(IN)}	Input pulse width	Sync. control mode	160			ns
		Direct control mode	20			μs
t _{INLD}	IN to $\overline{\text{LOAD}}$ time	Direct control mode from IN variation to $\overline{\text{LOAD}}$ falling edge	80			ns
t _{LDIN}	$\overline{\text{LOAD}}$ to IN time	Direct control mode from $\overline{\text{LOAD}}$ falling edge to IN variation	400			ns
t _{jitter(SCM)}	Jitter on single channel	Sync. control mode			6	μs
t _{jitter(DCM)}		Direct control mode			20	

Table 10. Internal communication timings (V_{DD} = 5 V; V_{CC} = 24 V; -40 °C < T_J < 125 °C)

Symbol	Parameter	Test condition	Min.	Typ.	Max.	Unit
f _{refresh}	Refresh delay			15		kHz
t _{WD}	Watchdog time		272	320	400	μs

Table 11. Insulation and safety-related specifications

Symbol	Parameter	Test conditions	Value	Unit
CLR ⁽¹⁾	Clearance (minimum external air gap)	Measured from input terminals to output terminals, shortest distance through air	2.6	mm
CPG ⁽¹⁾	Creepage (minimum external tracking)	Measured from input terminals to output terminals, shortest distance path along body	2.6	mm
CTI ⁽²⁾	Comparative tracking index (tracking resistance)		≥400	V
	Isolation group	Material group	II	-

1. Creepage and clearance requirements should be applied according to the specific equipment isolation standard of an application. Care should be taken to maintain the creepage and clearance distance of a board design to ensure that the mounting pads of the isolator on the PCB do not reduce this distance.
2. When high voltage is applied across the isolator, electric discharges on or close to the surface of the package, can cause localized deterioration in the mold compound, resulting in a partially conducting path from one side of the isolator to the other. This phenomenon is called tracking. The ability of a material to withstand tracking is quantified by a comparative tracking index (CTI). Using a mold compound with a higher CTI allows the use of smaller packages and saves board space.

Table 12. Insulation characteristics

Symbol	Parameter	Test condition	Value	Unit
In accordance with IEC 60747-17				
V _{PR}	Input-to-output test voltage	Method a, type test, t _m = 10 s partial discharge < 5 pC	1500	V _{PEAK}
		Method b, 100% production test, t _m = 1 s partial discharge < 5 pC	1758	V _{PEAK}
V _{IOTM}	Transient overvoltage	Type test; t _{ini} = 60 s	3537	V _{PEAK}
V _{IOSM}	Maximum surge insulation voltage	Type test	3537	V _{PEAK}
R _{IO}	Insulation resistance	Type test V _{IO} = 500 V, T _{STG} = 60 s	>10 ⁹	Ω
UL1577				
V _{ISO}	Insulation withstand voltage	1 min. type test	2000/2830	V _{RMS} /V _{PEAK}
V _{ISO test}	Insulation withstand test	1 s 100% production	2500/3537	V _{RMS} /V _{PEAK}
Common Mode Transient Immunity				
dV _{ISO} /dt	CMTI	Type test at V _{CM} = 500 V	±25	V/ns

Table 13. Safety limits

Symbol	Parameter	Test conditions	Value	Unit
Input safety, Logic side				
T _{SI}	Safety temperature of Logic side	-	150	°C
P _{SI}	Safety power of Logic side ⁽¹⁾	V _{DD} ≤ 6.0 V, V _{LOGIC(x)} ≤ 6.0 V, I _{LOGIC(x)} ≤ 10 mA, T _J ≤ T _{SI}	0.9	W
Output safety, Process side				
T _{SO}	Safety temperature of Process side	-	150	°C
P _{SO}	Safety power of Process side ⁽¹⁾	V _{CC} ≤ 36 V, I _{OUT(x)} ≤ 1.5 A, T _J ≤ T _{SO}	5	W

1. Respecting the above limits prevents potential damage to the isolation barrier upon failure on logic or process side circuitry. The user should apply these values to protect the IC and ensure the safety of the embedded isolation barrier. LOGIC(x) stands for any pin on the logic side; OUT(x) stands for any of the 8 output pins on the process side.

6 Functional description

6.1 Parallel interface

The integrated smart parallel interface offers three interfacing signals easily managed by a micro-controller. The $\overline{\text{LOAD}}$ signal enables the input buffer storing the value of the channel inputs. The $\overline{\text{SYNC}}$ signal copies the input buffer value into the transmission buffer and manages the synchronization between low voltage side and the channel outputs on the isolated side.

The OUT_EN signal enables the channel outputs. An internal refresh signal updates the configuration of the channel outputs with a f_{refresh} frequency. This signal can be disabled forcing low the $\overline{\text{SYNC}}$ input when $\overline{\text{LOAD}}$ is high. $\overline{\text{SYNC}}$ and $\overline{\text{LOAD}}$ pins can be in direct control mode (DCM) or synchronous mode (SCM). The operation of these two signals is described as follows:

Table 14. Interface signal operation (general)

$\overline{\text{LOAD}}$	$\overline{\text{SYNC}}$	OUT_EN	Device behavior
Don't care	Don't care	Low ⁽¹⁾	The outputs are disabled (turned off)
High	High	High	The outputs are left unchanged
Low	High	High	The input buffer is enabled, the outputs are left unchanged
High	Low	High	The internal refresh signal is disabled, the transmission buffer is updated and the outputs are left unchanged
Low	Low	High	The device operates in direct control mode as described in section 7.2 Direct Control Mode (DCM)

1. The outputs are turned off on OUT_EN falling edge and they are kept disabled as long as it is low

6.1.1 Input signals (IN1 to IN8)

Inputs from IN1 to IN8 are the driving signals of the corresponding OUT1 to OUT8 outputs. Data are directly loaded on related outputs if $\overline{\text{SYNC}}$ and $\overline{\text{LOAD}}$ inputs are low (DCM operation) or stored into input buffer when $\overline{\text{LOAD}}$ is low, and $\overline{\text{SYNC}}$ is high.

6.1.2 Load input data ($\overline{\text{LOAD}}$)

The input is active low; it stores the data from IN1 to IN8 into the input buffer

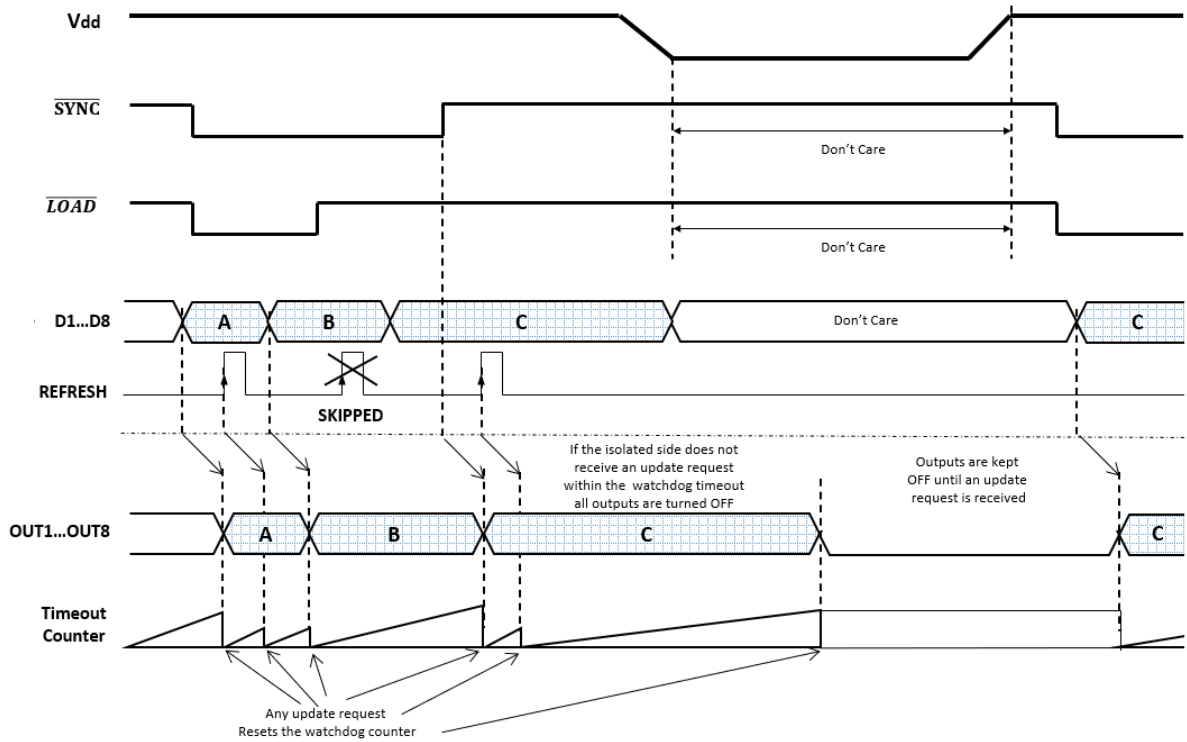
6.1.3 Output synchronization ($\overline{\text{SYNC}}$)

The input is active low; it enables the integrated transmission buffer loading input buffer data and manages the transmission between the two isolated sides of the device.

6.1.4 Watchdog

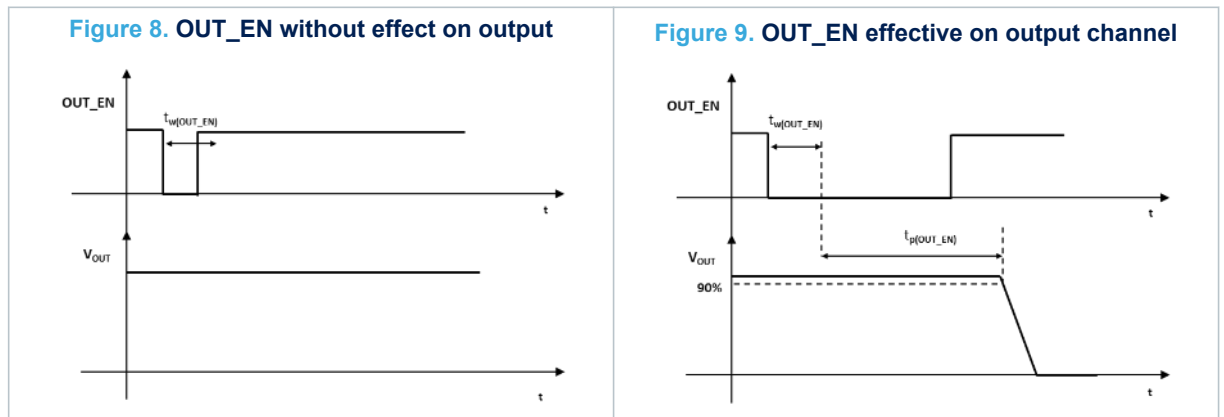
The IC is composed by two chips (Logic Stage and Process Stage) supplied by two independent and galvanic isolated sources (V_{DD}/GND_{DD} and V_{CC}/GND_{CC} pins, respectively). The IC provides a watchdog function in order to guarantee a safe condition for the Process Stage when V_{DD} (or GND_{DD}) supply voltage is missing. If the Logic Stage does not update the output status within t_{WD} , all the outputs of the Process Stage are disabled until a new update request is received. The Logic Stage chip periodically sends a refresh signal to the Process Stage chip. The refresh signal is also considered a valid update signal to reset the timeout counter on the Process Stage, so the isolated side watchdog does not protect the system from a failure of the host controller (e.g., MCU freezing).

Figure 7. Watchdog behavior



6.1.5 Output enable (OUT_EN)

This pin provides a fast way to disable all the outputs simultaneously. When the OUT_EN pin is driven low for at least $t_{W(OUT_EN)}$, all eight outputs are disabled. This timing execution is compatible with an external reset push from the operator, safety requirements, and permits, in a PLC system, a micro-controller polling for obtain all internal information during a reset procedure.



6.2 Direct Control Mode (DCM)

When $\overline{\text{SYNC}}$ and $\overline{\text{LOAD}}$ inputs are driven by the same signal, the device operates in direct control mode (DCM). In DCM the $\overline{\text{SYNC}} / \overline{\text{LOAD}}$ signal operates as an active low input enable:

- When the signal is high, the current output configuration is kept regardless the input values
- When the signal is low, each channel input directly drives the respective output

This operation mode can also be set shorting both signals to the digital ground; in this case the channel outputs are always directly driven by the inputs except when OUT_EN is low (outputs disabled).

Table 15. Interface signal operation in DCM

$\overline{\text{SYNC}} / \overline{\text{LOAD}}$	OUT_EN	Device behavior
Don't care	Low ⁽¹⁾	The outputs are disabled (turned off)
High	High	The outputs are left unchanged
Low	High	The channel inputs drive the outputs

1. The outputs are turned off on OUT_EN falling edge and they are kept disabled as long as it is low

Figure 10. Direct Control Mode, IC configuration

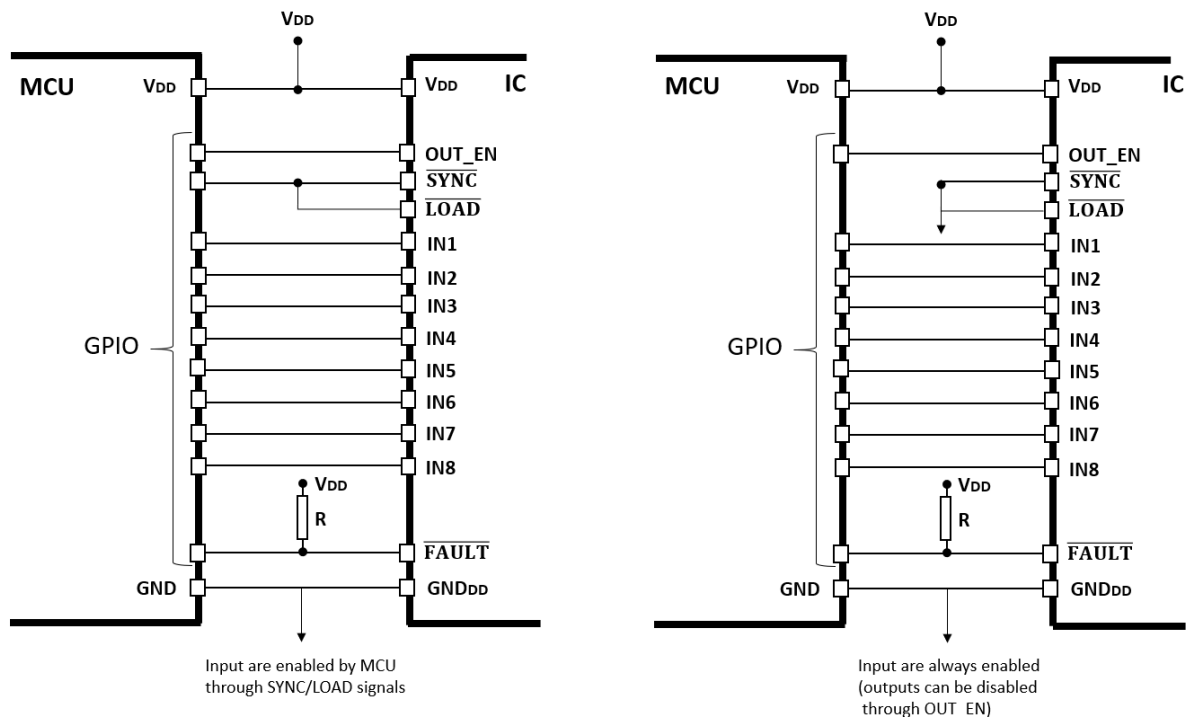
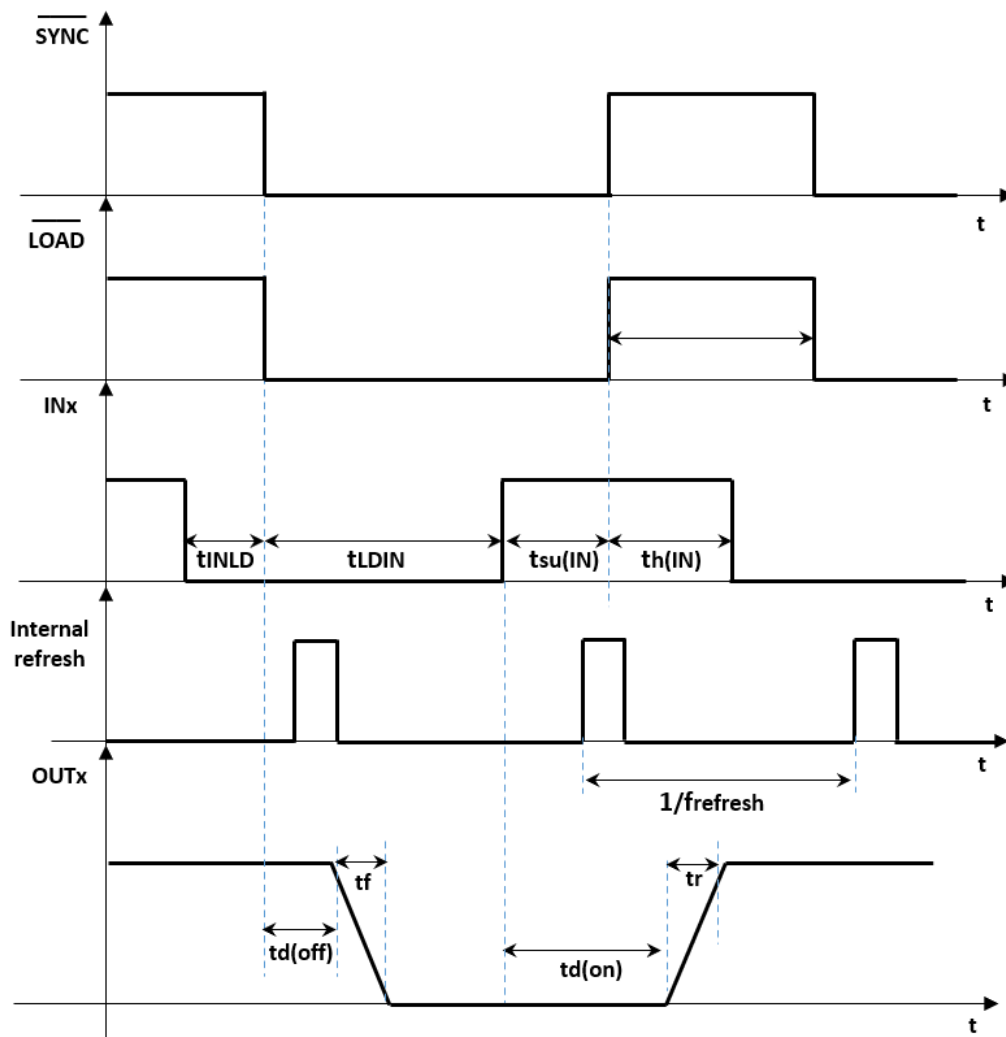


Figure 11. Direct Control Mode, time diagram


6.3 Synchronous Control Mode (SCM)

When $\overline{\text{SYNC}}$ and $\overline{\text{LOAD}}$ inputs are independently driven, the device can operate in synchronous control mode (SCM). The SCM is used to reduce the jittering of the outputs and to drive all outputs of different devices at the same time. In SCM the $\overline{\text{LOAD}}$ signal is forced low to update the input buffer while the $\overline{\text{SYNC}}$ signal is high. The $\overline{\text{LOAD}}$ signal is raised and the $\overline{\text{SYNC}}$ one is forced low for at least $t_{\text{SYNC(SCM)}}$. During this period, the internal refresh is disabled and any pending transmission between the low voltage and the isolated side is completed. When the $\overline{\text{SYNC}}$ signal is raised the channel output configuration is changed according to the one stored in the input. If the $t_{\text{SYNC(SCM)}}$ limit is met, the maximum jitter of the channel outputs is $t_{\text{jitter(SCM)}}$. If more devices share the same $\overline{\text{SYNC}}$ signal, all device outputs change simultaneously with a maximum jitter related to maximum delay and maximum jitter for single device.

Table 16. Interface signal operation in synchronous mode

$\overline{\text{LOAD}}$	$\overline{\text{SYNC}}$	OUT_EN	Device behavior
Don't care	Don't care	Low ⁽¹⁾	The outputs are disabled (turned off)
High	High	High	The outputs are left unchanged
Low	High	High	The input buffer is enabled, the outputs are left unchanged
High	Low	High	The internal refresh signal is disabled, the transmission buffer is updated and the outputs are left unchanged
Low	Low	High	Should be avoided (DCM operation only)

1. The outputs are turned off on OUT_EN falling edge and they are kept disabled as long as it is low

Figure 13. Synchronous Control Mode, time diagram

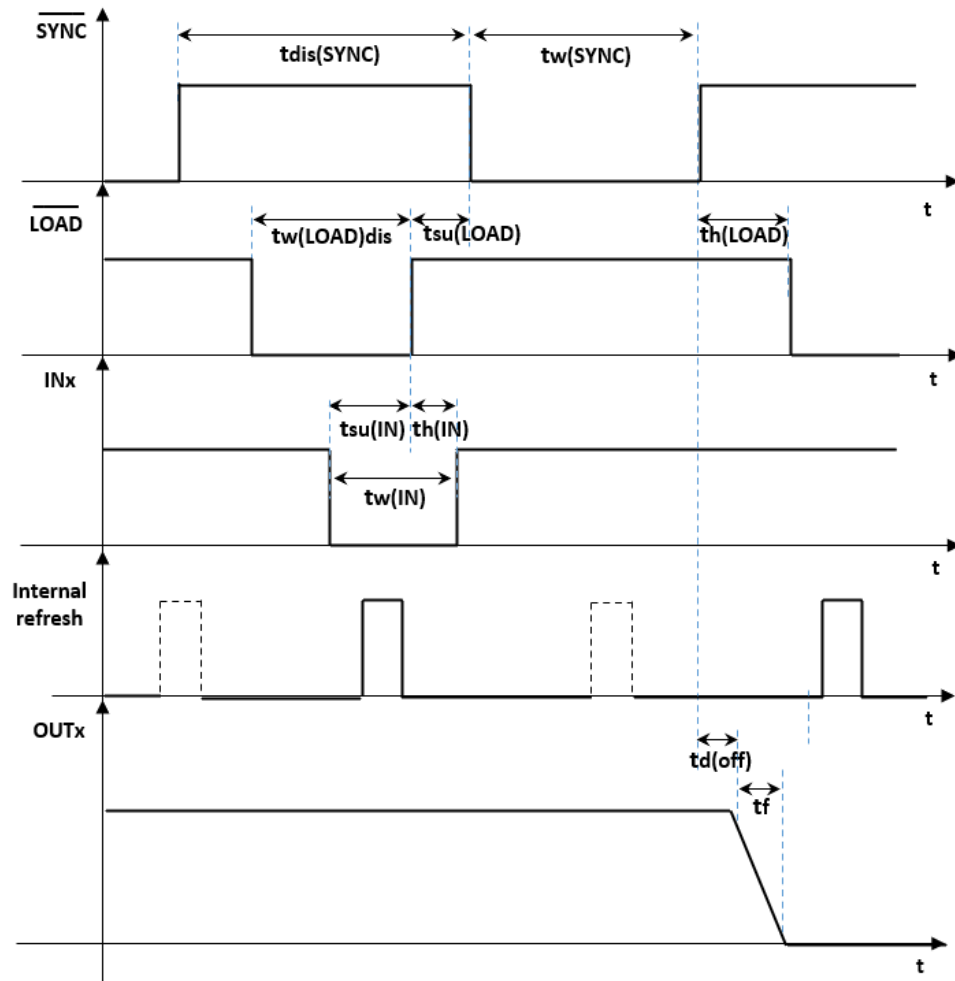
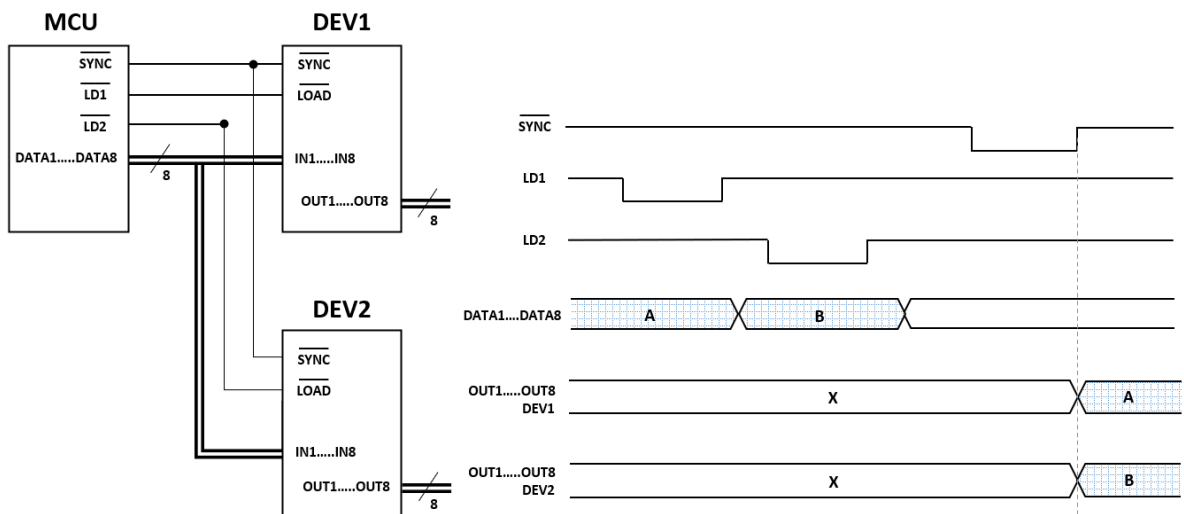


Figure 14. Multiple device Synchronous Control Mode



6.4 FAULT indication

The $\overline{\text{FAULT}}$ pin is an active low open drain output indicating fault conditions. This pin is activated when at least one of the following conditions occurs:

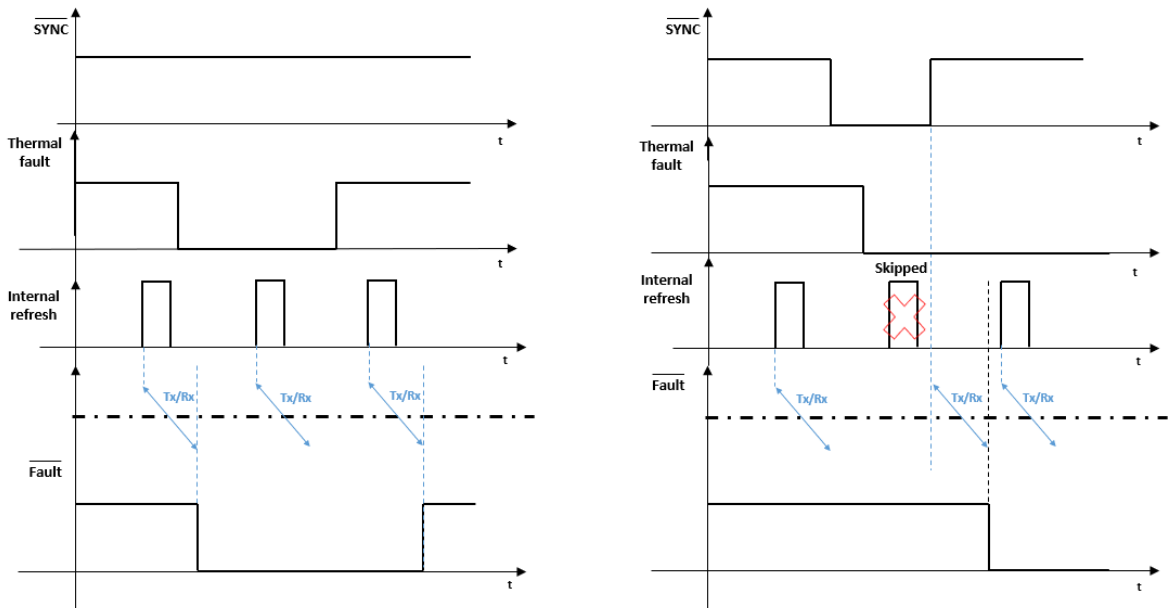
- Junction over-temperature ($T_{JX} > T_{JSD}$) of one or more channels of the Process Stage or case shut-down protection ($T_C > T_{CSD}$) is active
- Internal communication error.

The communication error is intended as an internal data corruption event in the data transfer through isolation. In case of communication error, the outputs are initially kept in the previous status and then reset (turned off) at the first communication error during data transfer of the refresh signal

6.4.1 Junction overtemperature

The thermal status of the device is updated during each transmission sequence between the two isolated stages. In SCM operation, when $\overline{\text{LOAD}}$ signal is high and $\overline{\text{SYNC}}$ one is low, the communication between the two stages is disabled. In this case the thermal status of the device cannot be updated, and the $\overline{\text{FAULT}}$ indication could be different to the actual status. In any case, the thermal protections of the channel outputs in the Process Stage are always operative.

Figure 15. Thermal status update

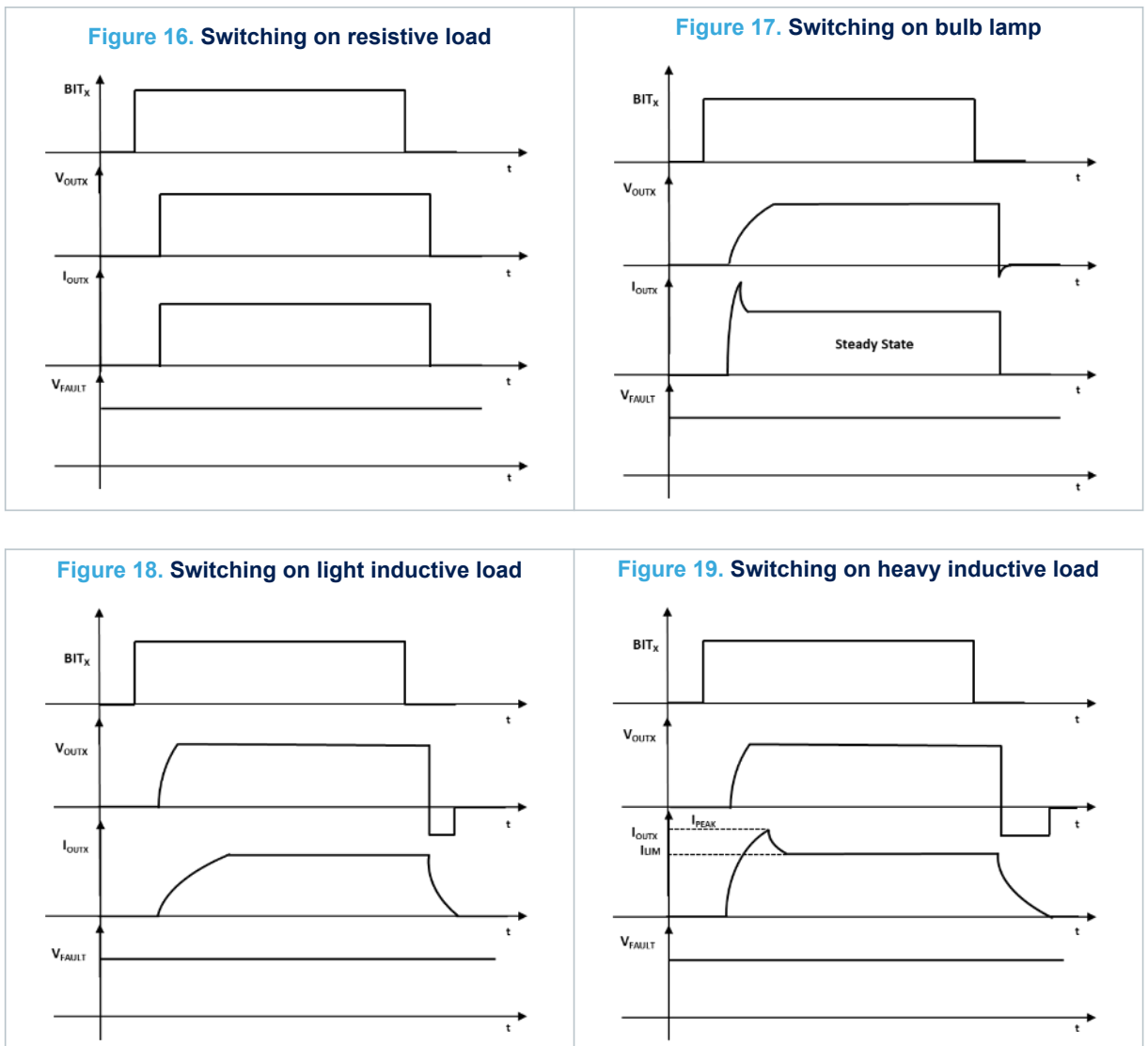


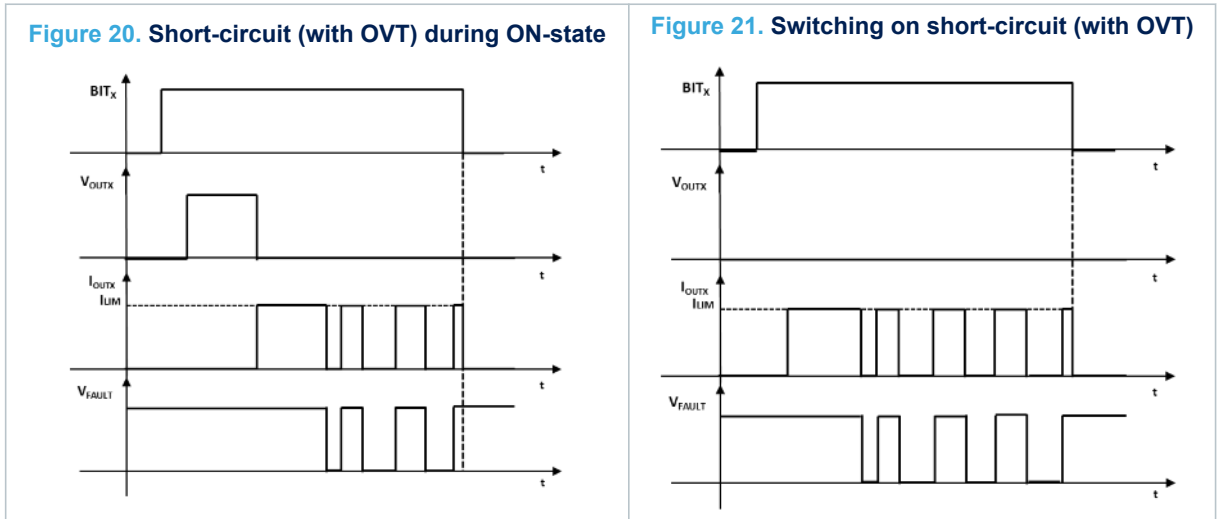
7 Power section

7.1 Current limitation

The current limitation process is activated when the current sense connected on the output stage measures a current value higher than a fixed threshold. When this condition is verified, the gate voltage is modulated to avoid output current increasing over the limitation value.

The following figures (where BIT_X is intended as Xth bit of the Output Status Register) show typical output current waveforms with different load conditions.





7.2 Thermal protection

The device is protected against overheating due to overload conditions. During driving period, if the output is overloaded, the device suffers two different thermal stresses, the first one related to the junction, and the second related to the case.

The two faults have different trigger thresholds: the junction protection threshold (T_{JSD}) is higher than that of the case protection (T_{CSD}). Generally, the first protection that is activated in thermal stress conditions is the junction thermal shutdown. The output is turned off when the temperature is higher than the related threshold and turned back on when it falls below the reset threshold (T_{JR}). This behavior continues while the fault on the output is present.

If the thermal protection is active and the temperature of the package increases over the fixed case protection threshold, the case protection is activated, and the output is switched off and back on when the junction temperature of each channel in fault and case temperature are below the respective reset thresholds.

Figure 22. Thermal protection flowchart

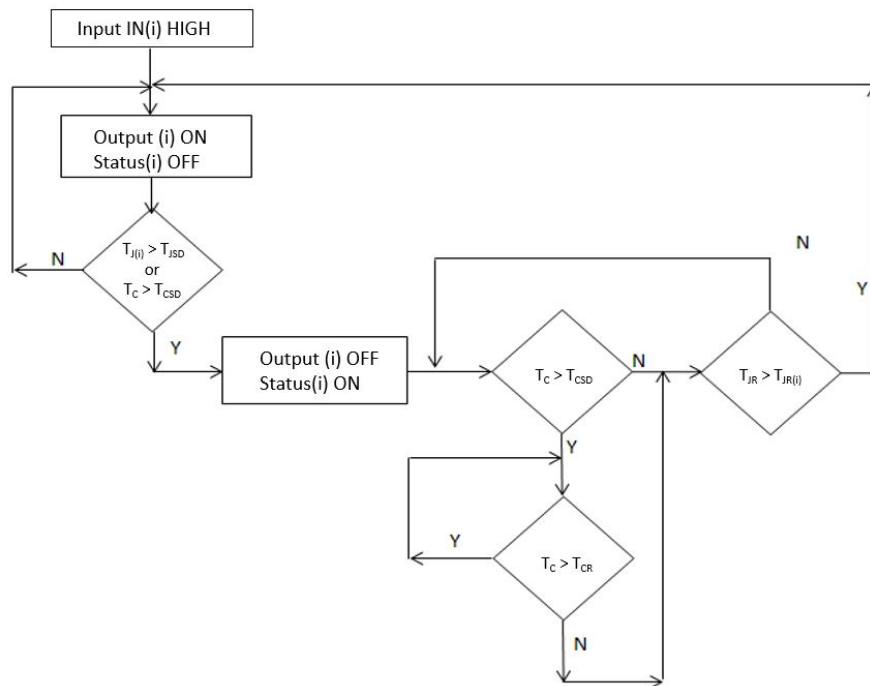


Figure 23. Thermal protection and fault behavior (T_{JSD} triggered before T_{CSD})

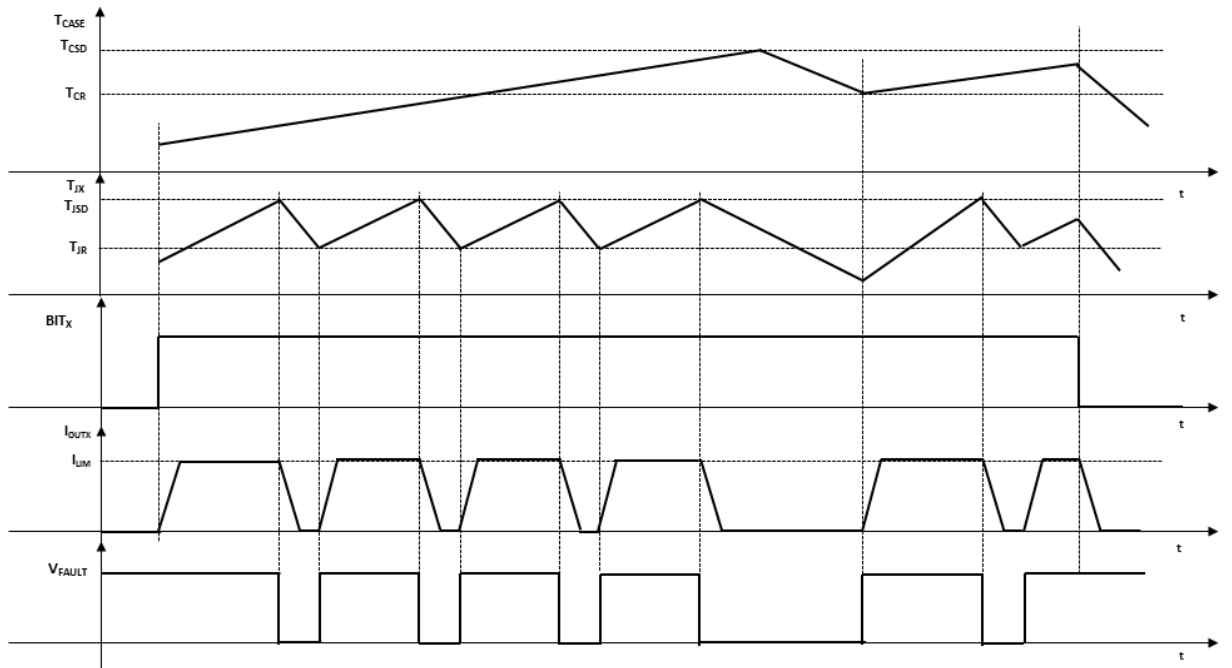
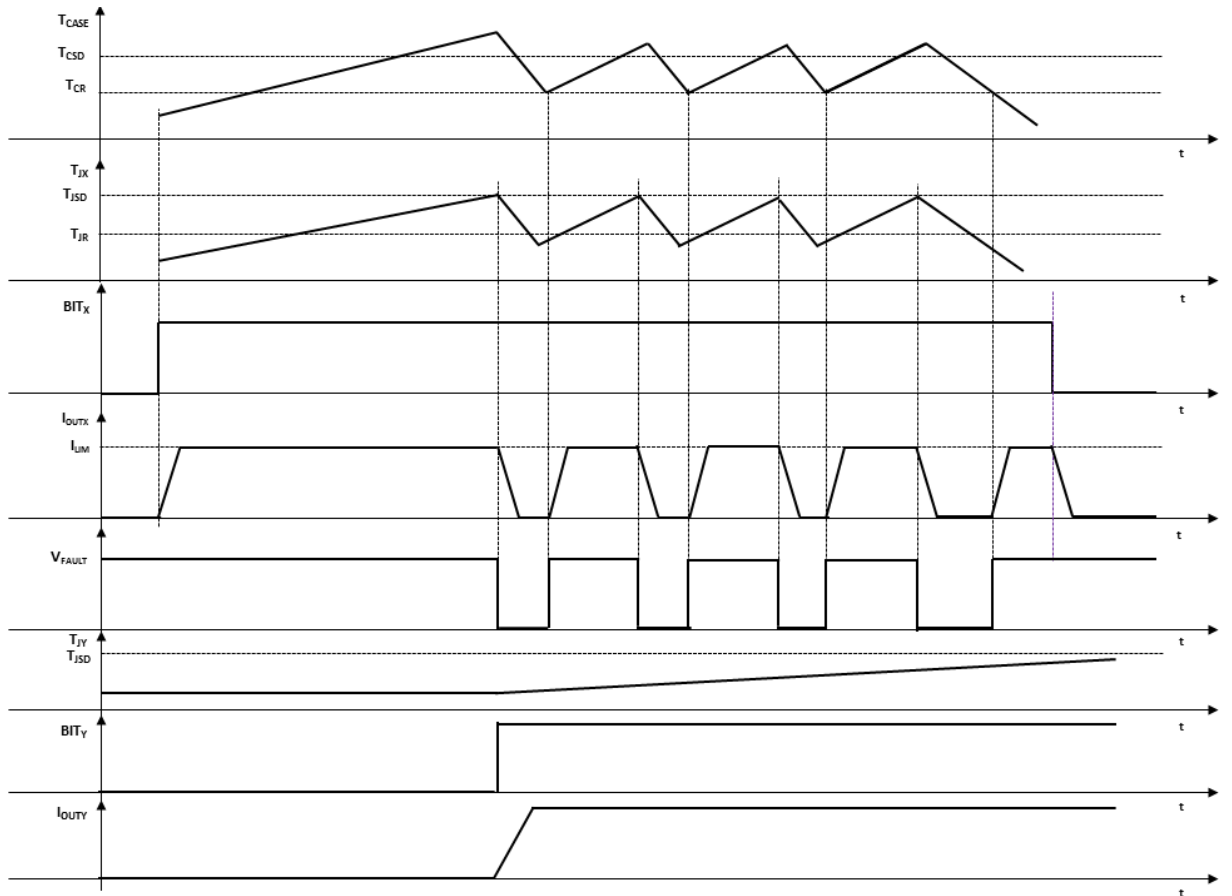


Figure 24. Thermal protection and fault behavior (T_{CSD} triggered before T_{JSD})



8 Reverse polarity protection

Reverse polarity protection can be implemented on the board using two different solutions (or both, which is recommended):

1. Placing a resistor (R_{GND}) between IC GND pin and load GND
2. Placing a diode in parallel to a resistor between IC GND pin and load GND

If option 1 is selected, the minimum resistance value must be selected according to the following equation:

$$R_{GND} \geq \frac{V_{CC}}{I_{GNDCC}} \quad (1)$$

where I_{GNDCC} is the DC reverse ground pin current and can be found in [Table 2](#).

The power dissipated by R_{GND} during reverse polarity is:

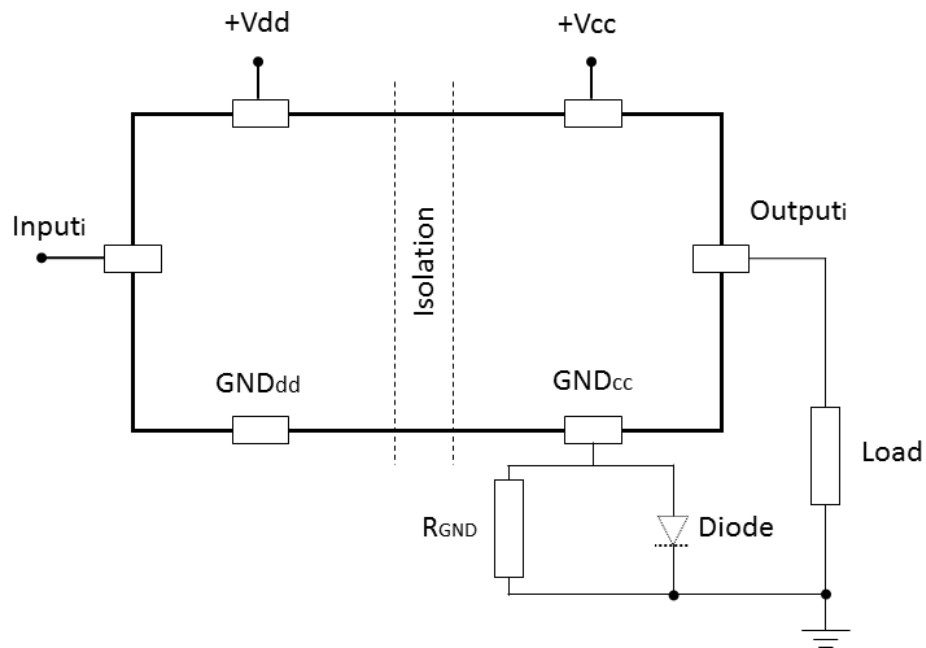
$$P_D = \frac{(V_{CC})^2}{R_{GND}} \quad (2)$$

If option 2 is selected, the diode has to be chosen by taking into account $V_{RRM} > |V_{CC}|$ and its power dissipation capability:

$$P_D \geq I_S \times V_F \quad (3)$$

Note: In normal operation (no reverse polarity), there is a voltage drop (ΔV) between GND of the device and GND of the system. Using option 1, $\Delta V = R_{gnd} * I_{cc}$. Using option 2, $\Delta V = V_F @ (I_F)$.

Figure 25. Reverse polarity protection



Note: Input(i) is intended as any input pin on logic side.
 This schematic can be used with any type of load.

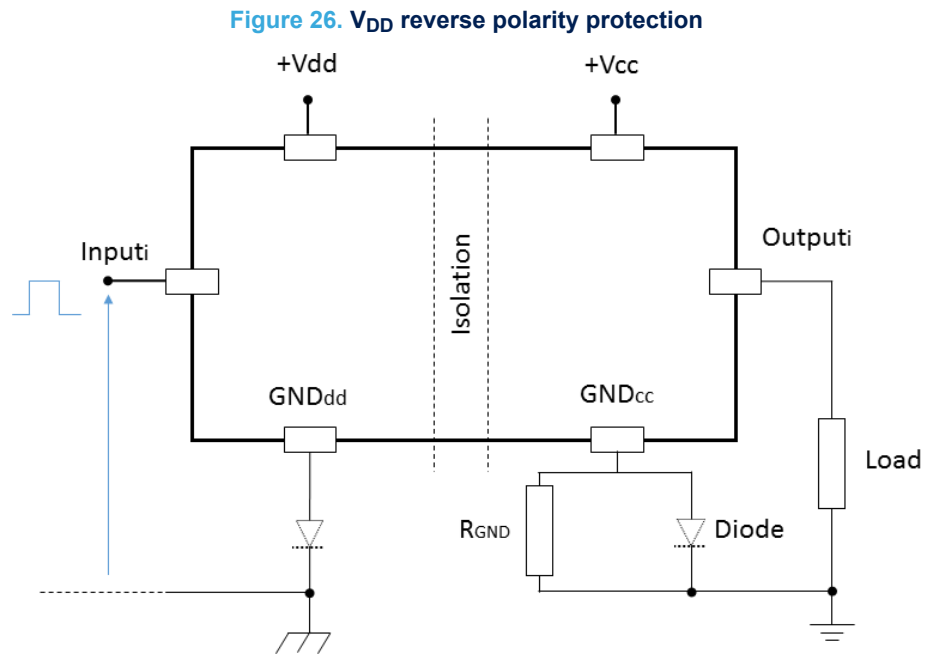
9 Reverse polarity on VDD

The reverse polarity on V_{DD} can be implemented on the board by placing a diode between the GND_{DD} pin and GND digital ground.

The diode must be chosen by taking into account $V_{RRM} > |V_{DD}|$ and its power dissipation capability:

$$P_D \geq I_{DD} \times V_F \quad (4)$$

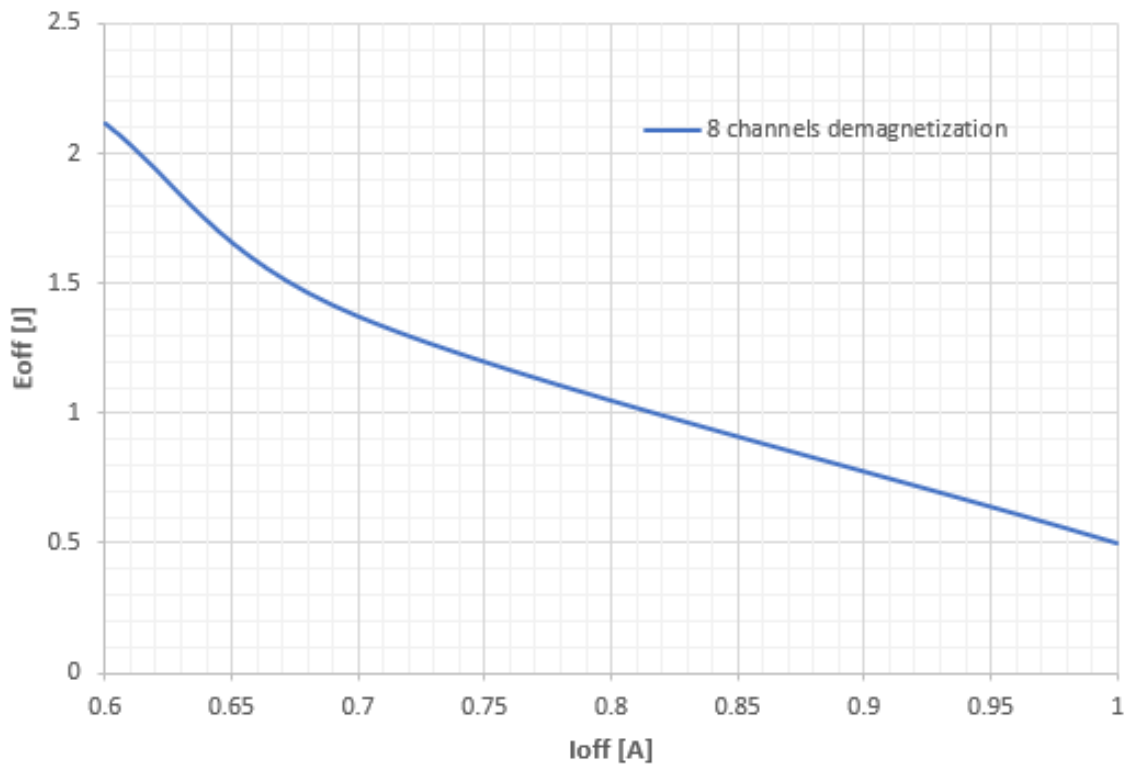
Note: In normal operation (no reverse polarity), due to the diode, there is a voltage drop ($\Delta V = V_F @ (I_{DD})$) between GND_{DD} of the device and digital ground of the system. In order to guarantee proper triggering of the input signal, $\Delta V(\max.)$ must result lower than $V_{IH(MIN)}$.



Note: $Input(i)$ is intended as any input pin on logic side.

10 Demagnetization energy

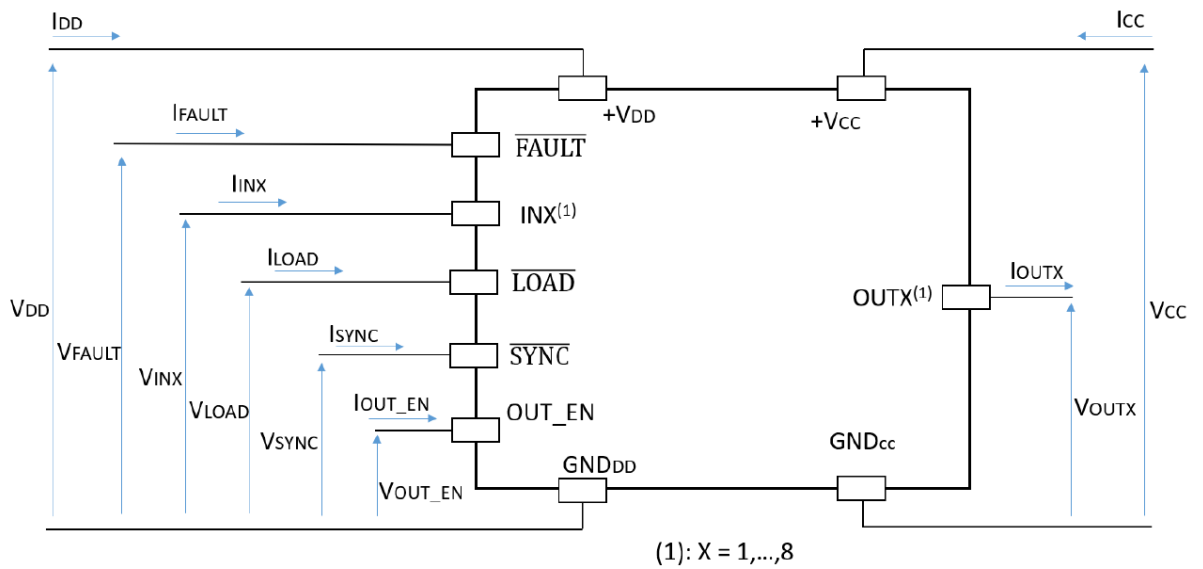
Figure 27. Single pulse demagnetization energy vs. load current (Typical values at $T_{AMB} = 125\text{ °C}$)



11 Conventions

11.1 Supply voltage and power output conventions

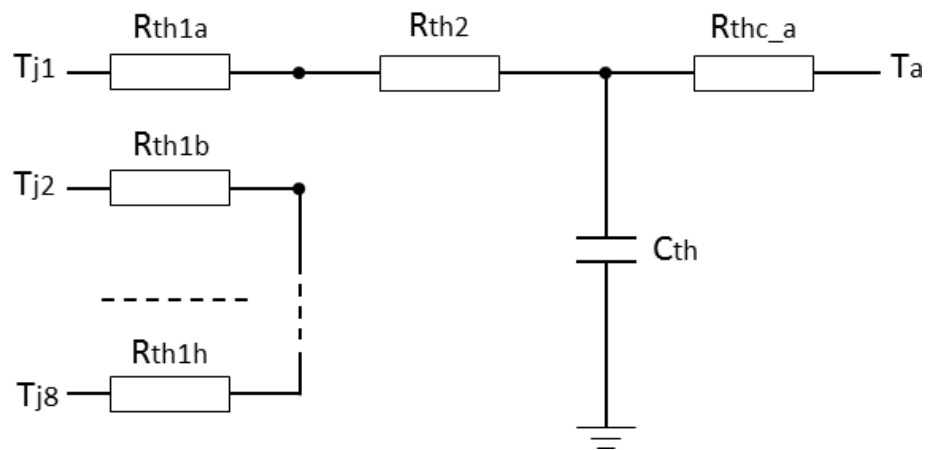
Figure 28. Supply voltage and power output conventions



12 Thermal information

12.1 Thermal impedance

Figure 29. Simplified thermal model of the process stage



13 Package information

In order to meet environmental requirements, ST offers these devices in different grades of **ECOPACK** packages, depending on their level of environmental compliance. ECOPACK specifications, grade definitions and product status are available at: www.st.com. ECOPACK is an ST trademark.

13.1 PowerSO-36 package information

Figure 30. PowerSO-36 package outline

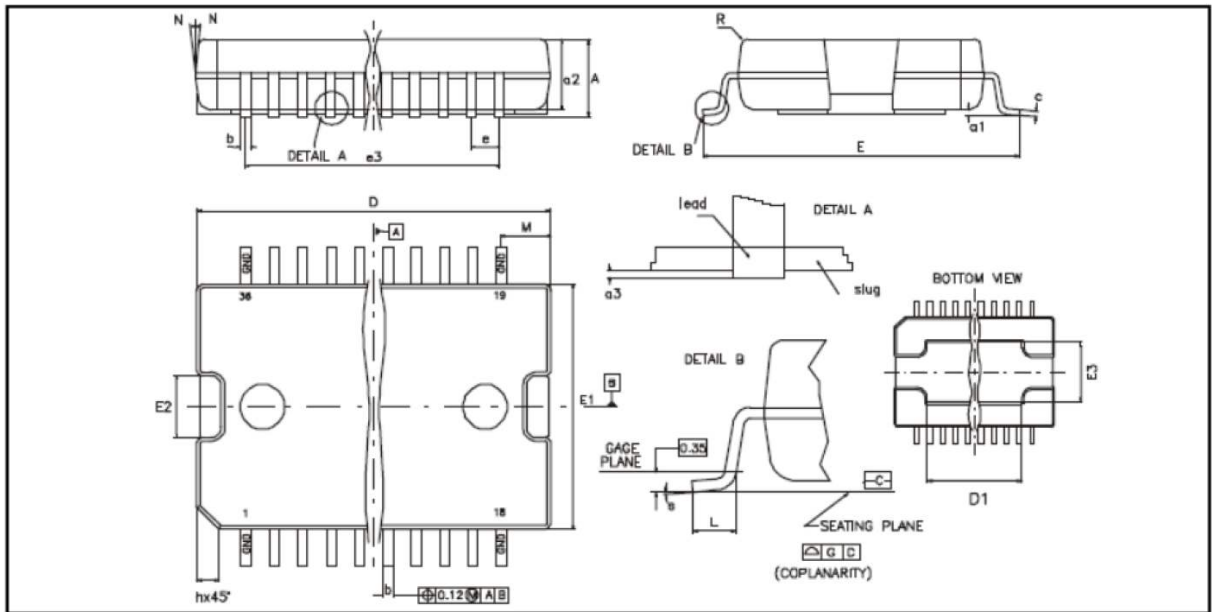


Table 17. PowerSO-36 package mechanical data

Dim.	mm		
	Min.	Typ.	Max.
A			3.6
a1	0.10		0.30
a2			3.30
b	0.22		0.38
c	0.23		0.32
D ⁽¹⁾	15.80		16.00
D1	9.40		9.80
E	13.90		14.50
E1 ⁽¹⁾	10.90		11.10
E2			2.90
E3	5.80		6.20
e		0.65	
e3		11.05	
G	0		0.10
H	15.50		15.90
h			1.10
L	0.80		1.10
N			10°
S	0°		8°

1. "D" and "E1" do not include mold flash or protrusions. Mold flash or protrusions shall not exceed 0.15mm (0.006"). Critical dimensions are "a3", "E" and "G"

Figure 31. PowerSO-36 suggested footprint

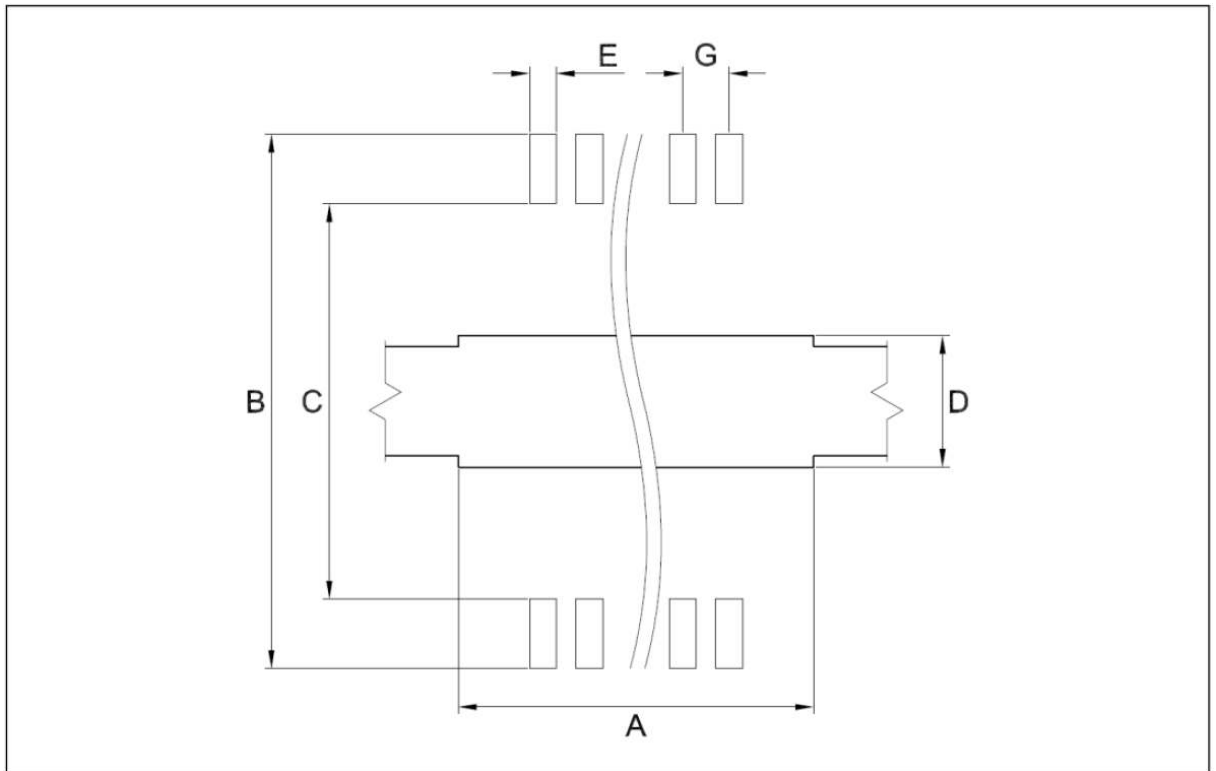


Table 18. PowerSO-36 footprint data

Dim	mm
A	9.5
B	14.7-15.0
C	12.5-12.7
D	6.3
E	0.42
G	0.65

15 Ordering information

Table 19. Ordering information

Part number	Package	Packaging
ISO808	PowerSO-36	Tube
ISO808-1	PowerSO-36	Tube
ISO808TR	PowerSO-36	Tape and reel
ISO808TR-1	PowerSO-36	Tape and reel

Revision history

Table 20. Document revision history

Date	Revision	Changes
21-Dec-2022	1	Initial release.

Contents

1	Block diagram	3
2	Pin connection	4
3	Absolute maximum ratings	6
4	Thermal data	7
5	Electrical characteristics	8
6	Functional description	15
6.1	Parallel interface	15
6.1.1	Input signals (IN1 to IN8)	15
6.1.2	Load input data ($\overline{\text{LOAD}}$)	15
6.1.3	Output synchronization ($\overline{\text{SYNC}}$)	15
6.1.4	Watchdog	16
6.1.5	Output enable (OUT_EN)	16
6.2	Direct Control Mode (DCM)	17
6.3	Synchronous Control Mode (SCM)	18
6.4	FAULT indication	20
6.4.1	Junction overtemperature	20
7	Power section	21
7.1	Current limitation	21
7.2	Thermal protection	22
8	Reverse polarity protection	24
9	Reverse polarity on VDD	25
10	Demagnetization energy	26
11	Conventions	27
11.1	Supply voltage and power output conventions	27
12	Thermal information	28
12.1	Thermal impedance	28
13	Package information	29
13.1	PowerSO-36 package information	29
14	Packing information	32
14.1	PowerSO-36 packing information	32
15	Ordering information	33
	Revision history	34

List of figures

Figure 1.	Block diagram	3
Figure 2.	Pin connection PowerSO-36 (top through view)	4
Figure 3.	$R_{DS(on)}$ measurement	10
Figure 4.	dV/dT definition	10
Figure 5.	td(ON)-td(OFF) Synchronous Control Mode (SCM)	11
Figure 6.	td(ON)-td(OFF) Direct Control Mode (DCM)	11
Figure 7.	Watchdog behavior	16
Figure 8.	OUT_EN without effect on output	16
Figure 9.	OUT_EN effective on output channel	16
Figure 10.	Direct Control Mode, IC configuration	17
Figure 11.	Direct Control Mode, time diagram	18
Figure 12.	Synchronous Control Mode, IC configuration	18
Figure 13.	Synchronous Control Mode, time diagram	19
Figure 14.	Multiple device Synchronous Control Mode	19
Figure 15.	Thermal status update	20
Figure 16.	Switching on resistive load	21
Figure 17.	Switching on bulb lamp	21
Figure 18.	Switching on light inductive load	21
Figure 19.	Switching on heavy inductive load	21
Figure 20.	Short-circuit (with OVT) during ON-state	22
Figure 21.	Switching on short-circuit (with OVT)	22
Figure 22.	Thermal protection flowchart	22
Figure 23.	Thermal protection and fault behavior (T_{JSD} triggered before T_{CSD})	23
Figure 24.	Thermal protection and fault behavior (T_{CSD} triggered before T_{JSD})	23
Figure 25.	Reverse polarity protection	24
Figure 26.	V_{DD} reverse polarity protection	25
Figure 27.	Single pulse demagnetization energy vs. load current (Typical values at $T_{AMB} = 125\text{ °C}$)	26
Figure 28.	Supply voltage and power output conventions	27
Figure 29.	Simplified thermal model of the process stage	28
Figure 30.	PowerSO-36 package outline	29
Figure 31.	PowerSO-36 suggested footprint	31
Figure 32.	PowerSO-36 carrier tape	32
Figure 33.	PowerSO-36 shipping tube	32

List of tables

Table 1.	Pin description	5
Table 2.	Absolute maximum ratings	6
Table 3.	Thermal data	7
Table 4.	Power section	8
Table 5.	Digital supply voltage	8
Table 6.	Diagnostic pin and output protection function	9
Table 7.	Power switching characteristics ($V_{CC} = 24\text{ V}$; $R_{LOAD} = 48\ \Omega$; $-40\text{ }^{\circ}\text{C} < T_J < 125\text{ }^{\circ}\text{C}$)	9
Table 8.	Logic inputs and output	12
Table 9.	Parallel interface timings ($V_{DD} = 5\text{ V}$; $V_{CC} = 24\text{ V}$; $-40\text{ }^{\circ}\text{C} < T_J < 125\text{ }^{\circ}\text{C}$)	12
Table 10.	Internal communication timings ($V_{DD} = 5\text{ V}$; $V_{CC} = 24\text{ V}$; $-40\text{ }^{\circ}\text{C} < T_J < 125\text{ }^{\circ}\text{C}$)	12
Table 11.	Insulation and safety-related specifications	13
Table 12.	Insulation characteristics	13
Table 13.	Safety limits	14
Table 14.	Interface signal operation (general)	15
Table 15.	Interface signal operation in DCM	17
Table 16.	Interface signal operation in synchronous mode	18
Table 17.	PowerSO-36 package mechanical data	30
Table 18.	PowerSO-36 footprint data	31
Table 19.	Ordering information	33
Table 20.	Document revision history	34

IMPORTANT NOTICE – READ CAREFULLY

STMicroelectronics NV and its subsidiaries (“ST”) reserve the right to make changes, corrections, enhancements, modifications, and improvements to ST products and/or to this document at any time without notice. Purchasers should obtain the latest relevant information on ST products before placing orders. ST products are sold pursuant to ST’s terms and conditions of sale in place at the time of order acknowledgment.

Purchasers are solely responsible for the choice, selection, and use of ST products and ST assumes no liability for application assistance or the design of purchasers’ products.

No license, express or implied, to any intellectual property right is granted by ST herein.

Resale of ST products with provisions different from the information set forth herein shall void any warranty granted by ST for such product.

ST and the ST logo are trademarks of ST. For additional information about ST trademarks, refer to www.st.com/trademarks. All other product or service names are the property of their respective owners.

Information in this document supersedes and replaces information previously supplied in any prior versions of this document.

© 2022 STMicroelectronics – All rights reserved