

THIS DRAWING IS UNPUBLISHED.

RELEASED FOR PUBLICATION

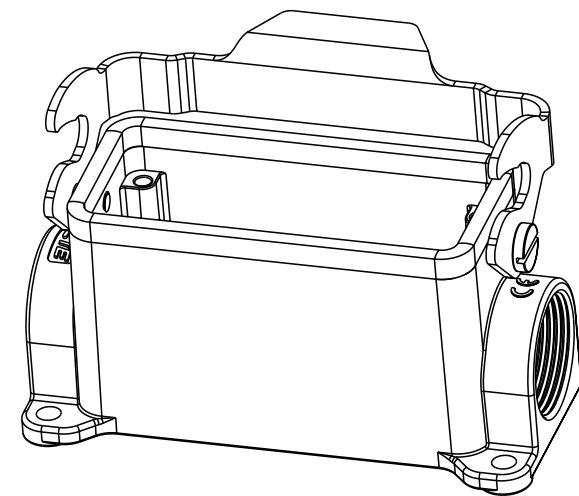
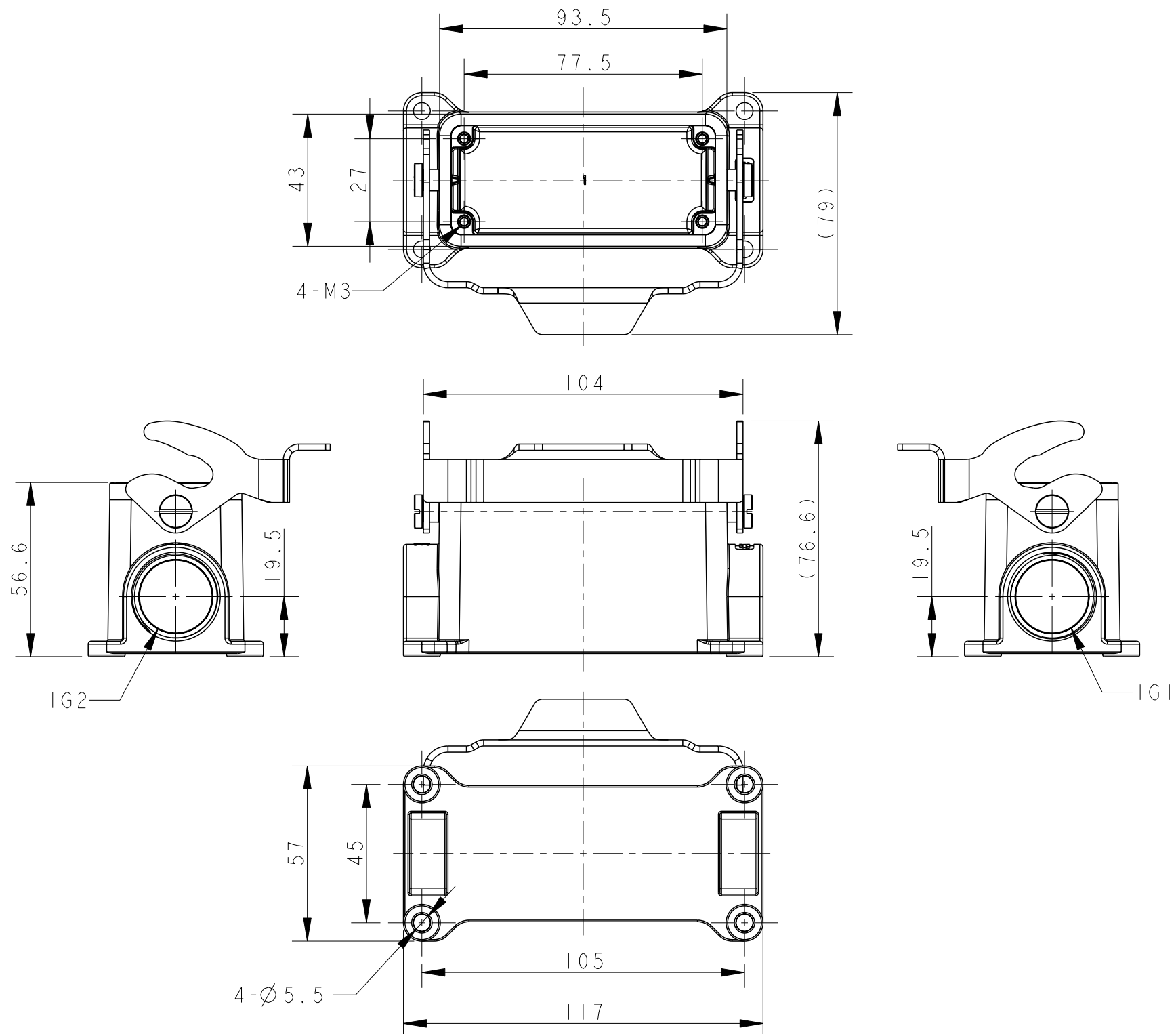
20

© COPYRIGHT 20 BY -

ALL RIGHTS RESERVED.

REVISIONS

P	LTR	DESCRIPTION	DATE	DWN	APVD
	A	INITIAL RELEASE	05JUL2015	DL	CW
	B	ECR-20-008190	16SEP2020	WQR	CW



NOTES:
 1. TECHNICAL CHARACTERISTICS:
 BODY MATERIAL: DIE CAST ALUMINIUM ALLOY
 SURFACE TREATMENT: POWDER-COATED, GRAY
 DEGREE OF PROTECTION: IP65 (MATED)

注释:
 1. 技术参数:
 主体材料: 铝合金
 表面处理: 粉末喷涂, 灰色
 防护等级: IP65(配合)

THIS DRAWING IS A CONTROLLED DOCUMENT.

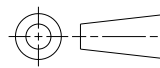
DWN 05JUL2015
 DAVID LI
 CHK 05JUL2015
 CHRIS WANG
 APVD 05JUL2015
 XU XIANG

NAME HI6B-SGR-LB-PG/M



DIMENSIONS: mm

TOLERANCES UNLESS OTHERWISE SPECIFIED:



0 PLC ±-
 1 PLC ±-
 2 PLC ±-
 3 PLC ±-
 4 PLC ±-
 ANGLES ±-

MATERIAL

FINISH

PRODUCT SPEC 108-137013
 APPLICATION SPEC 114-137013
 WEIGHT -

SIZE A3 CAGE CODE - DRAWING NO. C-TI610163XXX000 RESTRICTED TO

CUSTOMER DRAWING SCALE 3:5 SHEET 1 OF 1 REV B

T1610163121-000	HI6B-SGR-LB-PG21	PG21	-
T1610163125-000	HI6B-SGR-LB-M25	M25	-
T1610163221-000	HI6B-SGR-LB-2PG21	PG21	PG21
T1610163225-000	HI6B-SGR-LB-2M25	M25	M25
ASSEMBLY PART NUMBER	ASSEMBLY PART DESCRIPTION	IG1	IG2