

Approved	Checked	Designed	DEVELOPMENT SPECIFICATION	<table border="1"> <tr> <td></td> <td></td> <td></td> </tr> <tr> <td colspan="3" style="text-align: center;">TEMPORARY</td> </tr> </table>						TEMPORARY		
TEMPORARY												
		T. Tabata	P/N: LNJ216C82RA									

T Y P E	Red Light Emitting Diode					
APPLICATION	Indicators					
MATERIAL	InGaAlP					
OUTLINE	Attached					
ABSOLUTE MAXIMUM RATINGS	P	*1 I <sub>FP</sub>	I <sub>FDC</sub>	V <sub>R</sub>	Topr	Tstg
	55	60	20	4	-30~+85	-40~+100
	mW	mA	mA	V	°C	°C
CONDITION	T <sub>a</sub> = 25 ± 3°C					

Test Specification

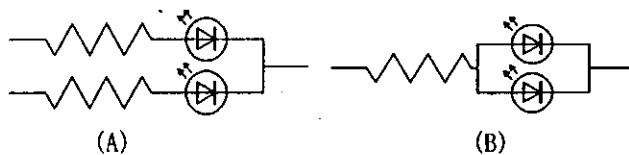
I t e m	Symbol	C o n d i t i o n	Typ	Limit		Unit
				Min	Max	
Forward Voltage	V <sub>F</sub>	I <sub>F</sub> = 10 mA	1.92		2.5	V
Reverse Leakage Current	I <sub>R</sub>	V <sub>R</sub> = 4 V			100	μ A
Luminous Intensity *2	I <sub>O</sub>	I <sub>F</sub> = 10 mA DC	24	12.8		mcd
Peak Emission Wavelength	λ <sub>p</sub>	I <sub>F</sub> = 10 mA DC	645			nm
Spectral Line Half Width	Δλ	I <sub>F</sub> = 10 mA DC	22			nm

\*1. The Condition of I<sub>FP</sub> is duty 10 % , Pulse width 1 ms

\*2. Tolerance of luminous intensity : ±20%.

NOTE

- ★1. Please contact the Panasonic local office if you design at low current (below 1mA DC) or pulse current operation and have any questions.
- ★2. Soldering conditions...Refer to Handling note.
- ★3. Compositions of the lead ... Cu/Ni/Au plating
- ★4. Package...Clear type.
- ★5. Beware of destruction by static electricity in handling the LED.
- ★6. Circuit to operate LED.

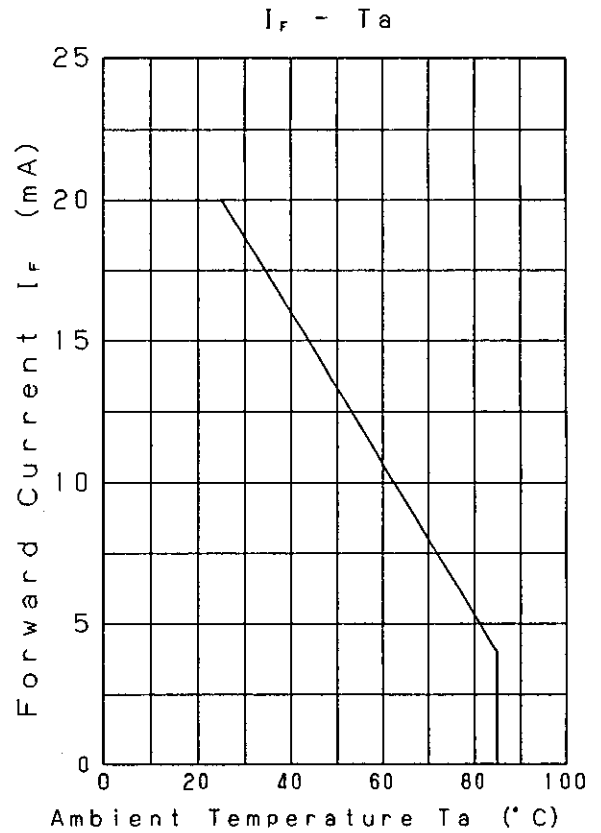
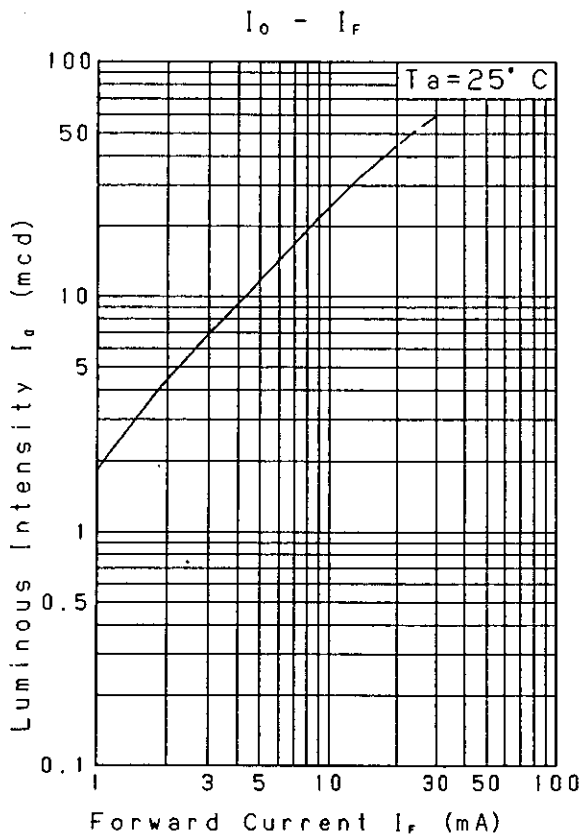
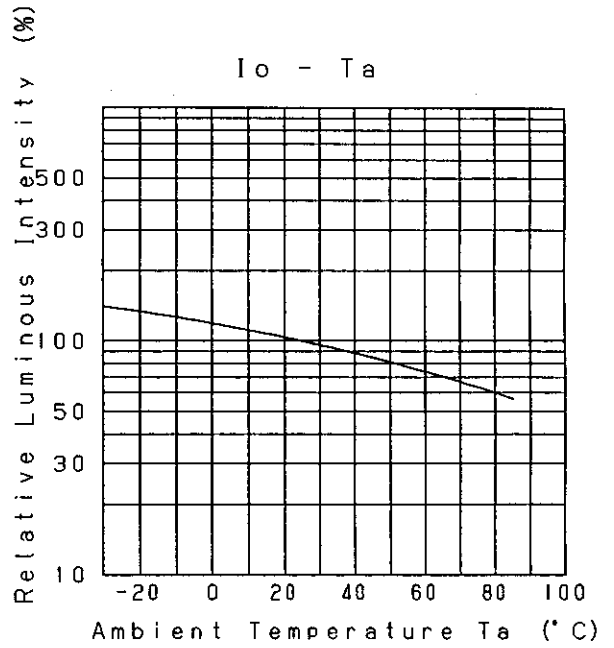
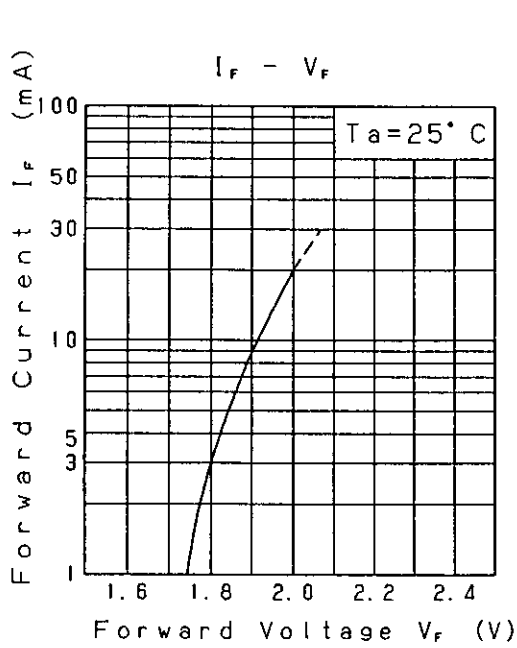


(A) Recommended circuit.

(B) The difference of brightness between the LED could be found due to the V<sub>F</sub> characteristics of each LED.

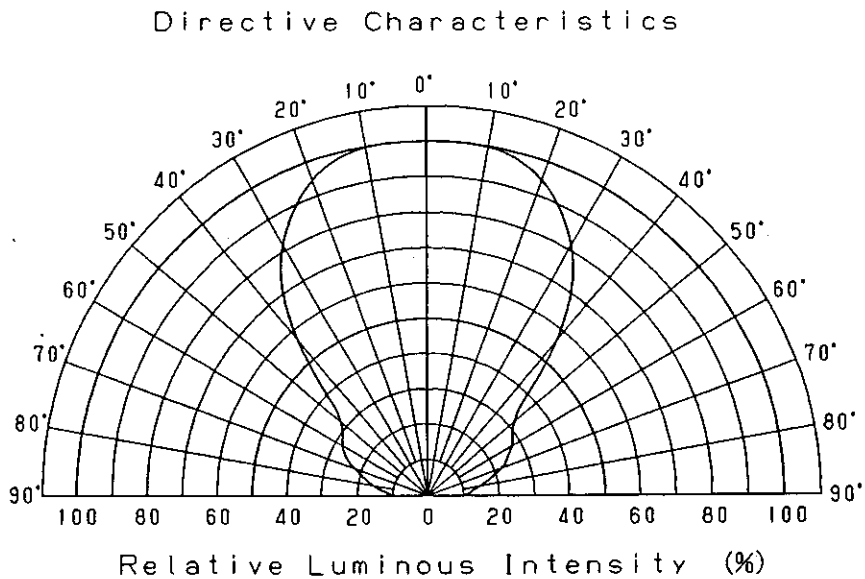
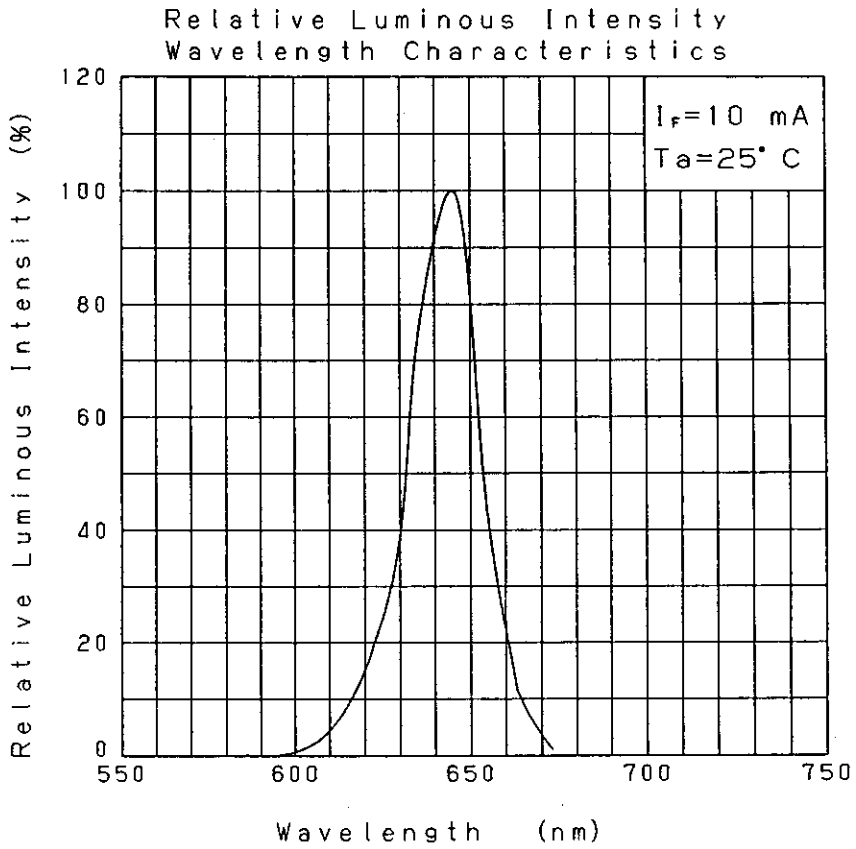
Oct. 18. 2001			

Approved	Checked	Designed	DEVELOPMENT SPECIFICATION	TEMPORARY
		T. Takata		



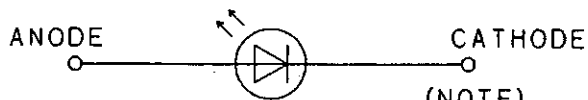
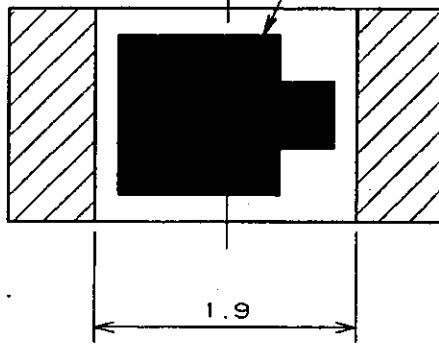
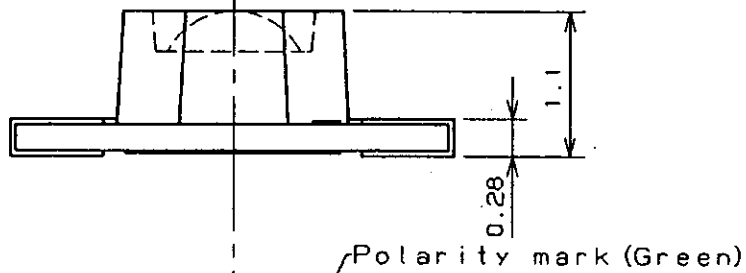
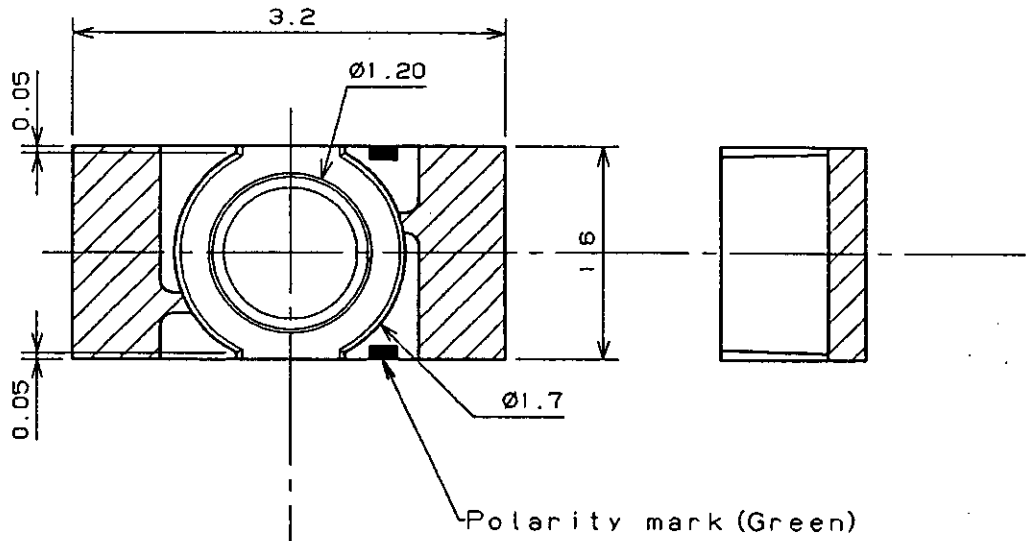
Oct. 18. 2001			
---------------	--	--	--

Approved	Checked	Designed	DEVELOPMENT SPECIFICATION	TEMPORARY
		T. Takata		



Oct. 18. 2001			
---------------	--	--	--

Approved <i>T. Akeda</i>	Checked <i>M. Ni</i>	Designed <i>T. Taketa</i>	DEVELOPMENT SPECIFICATION (OUTLINE) P/N:	



- (NOTE)
1. Unit: mm
  2. Tolerance unless specified is  $\pm 0.15$ .
  3. indicate Au terminal.

Jan. 31. 2000			