



General Specifications

Motor Protection:

Auto Restart/Polarity Protection

Insulation Resistance:

10M Ω or over with a DC500V Megger

Dielectric Withstand Voltage: AC 700V 1s

Allowable Ambient Temperature Range:

-10°C ~ +70°C (Operating)

-40°C ~ +70°C (Storage)

(non-condensing environment)

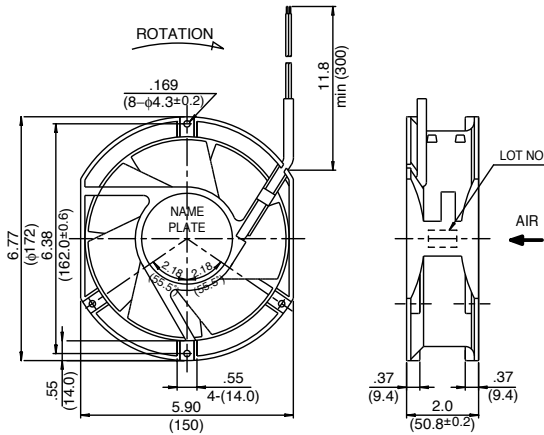
Expected Life

Failure Rate: 10%

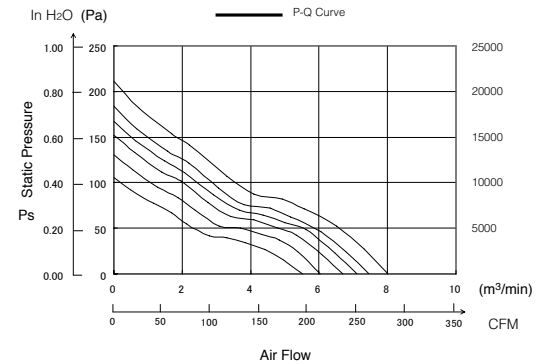
25°C 100,000 Hours (D00)

Outline

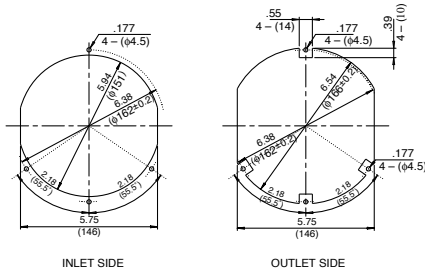
Units: $\frac{\text{inch}}{\text{mm}}$



Characteristic Curves



Panel Cut-outs



Material

- Casing : Plastic (Black) 94V-0
- Impeller : Plastic (Black) 94V-0
- Bearing : Ball Bearing
- Lead Wire : UL1007, AWG22, +Red, -Black

Specifications

MODEL	Product No.	Rated Voltage	Operating Voltage	Current	Input Power	Speed	Max. Air Flow		Max. Static Pressure		Noise	Mass
		(V)	(V)	(A) ^{*1}	(W) ^{*1}	(min ⁻¹) ^{*1}	CFM ^{*1}	(m ³ /min) ^{*1}	in H ₂ O	(Pa) ^{*1}	(dB) ^{*1}	(g)
5920VL-07W-B10-	DXX	48	36 ~ 56	0.28	13.44	2550	194.5	5.51	.43	106	51.0	830
5920VL-07W-B20-	DXX	48	36 ~ 56	0.33	15.84	2850	213.2	6.04	.53	131	54.0	830
5920VL-07W-B30-	DXX	48	36 ~ 56	0.37	17.76	3150	236.5	6.70	.61	152	57.0	830
5920VL-07W-B40-	DXX	48	36 ~ 56	0.41	19.68	3350	251.0	7.11	.67	167	59.0	830
5920VL-07W-B50-	DXX	48	36 ~ 56	0.44	21.10	3500	263.3	7.46	.74	184	61.0	830
5920VL-07W-B60-	DXX	48	36 ~ 56	0.52	25.00	3750	283.1	8.02	.85	211	63.0	830

Rotation: Clockwise

Airflow Outlet: Air Out Over Struts

*1: Average Values in Free Air