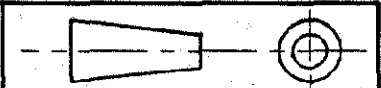


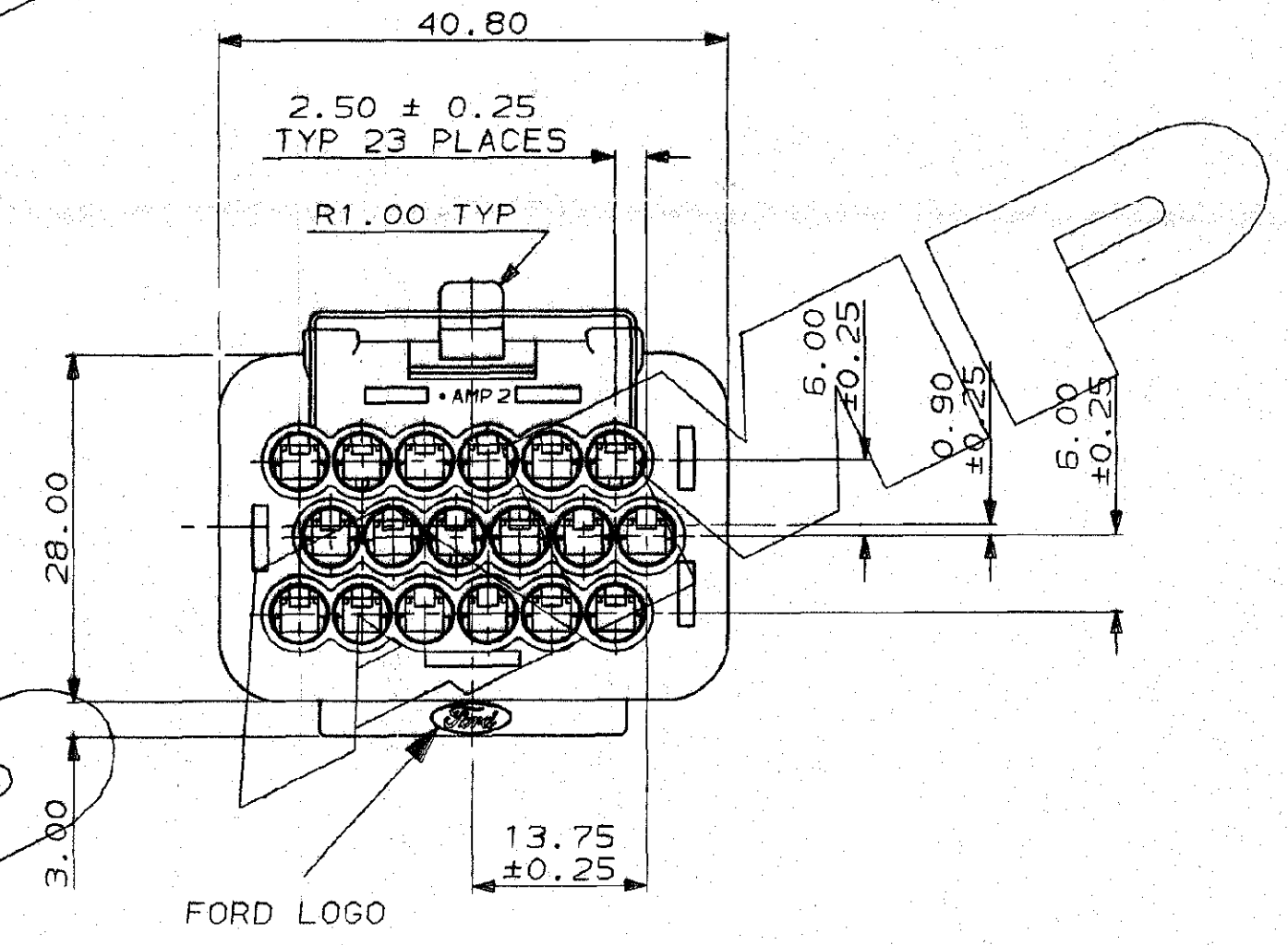
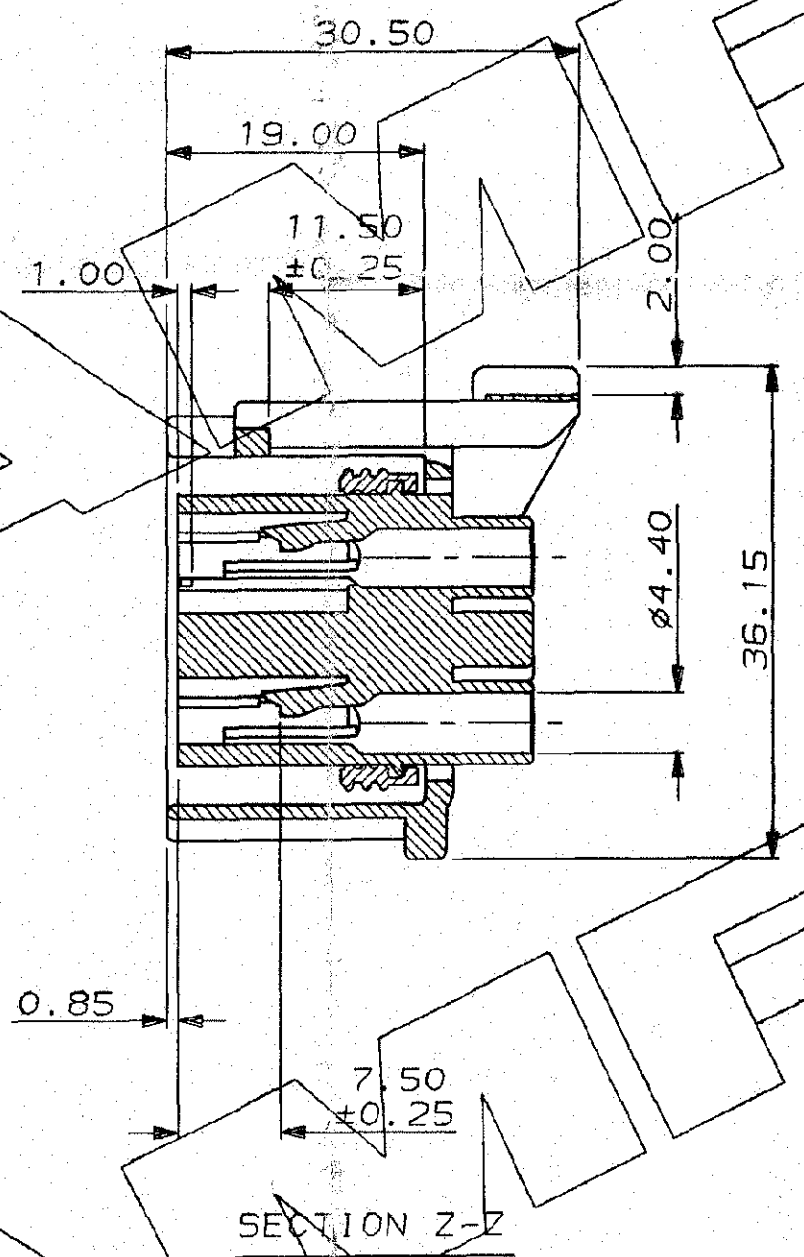
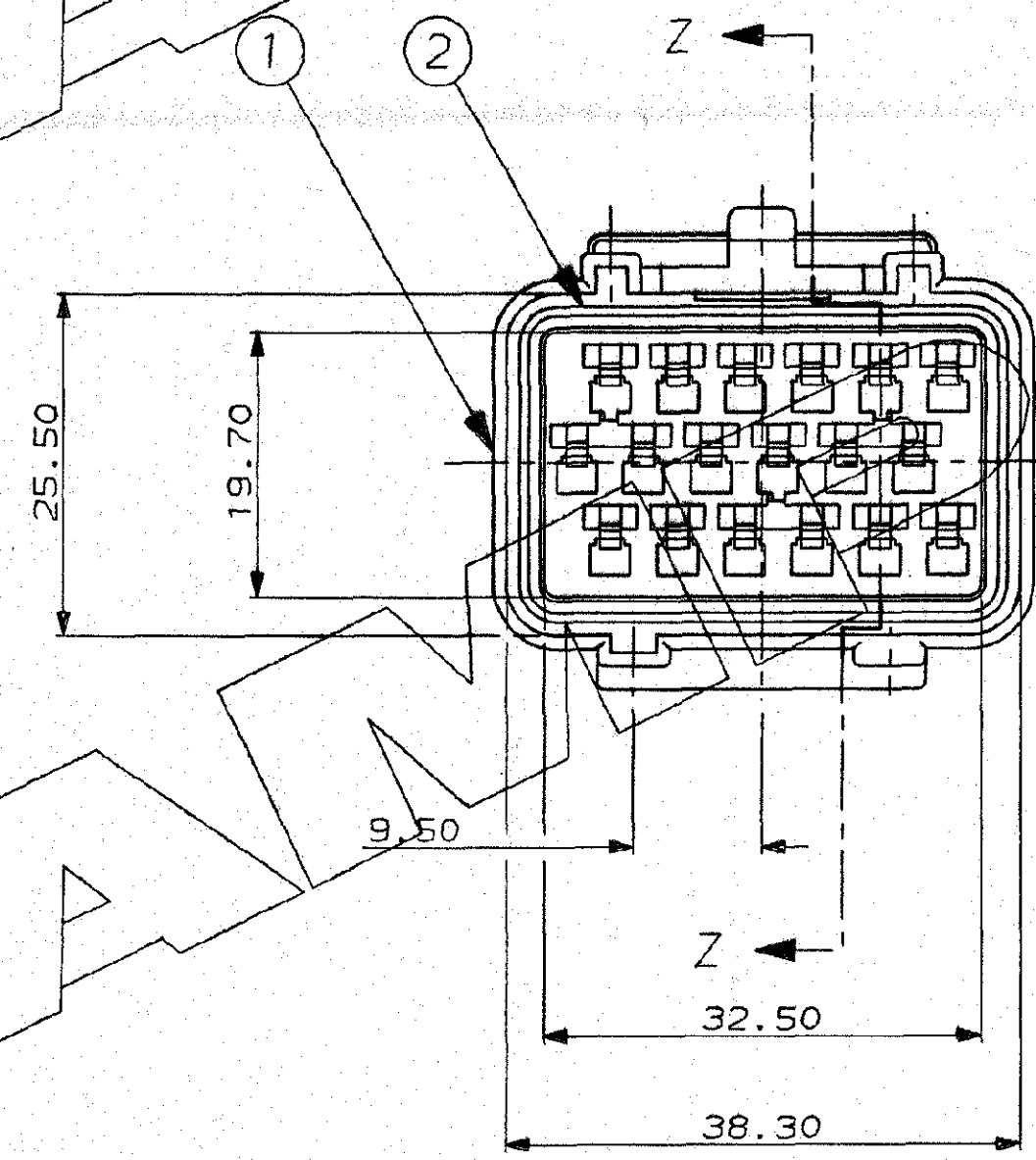
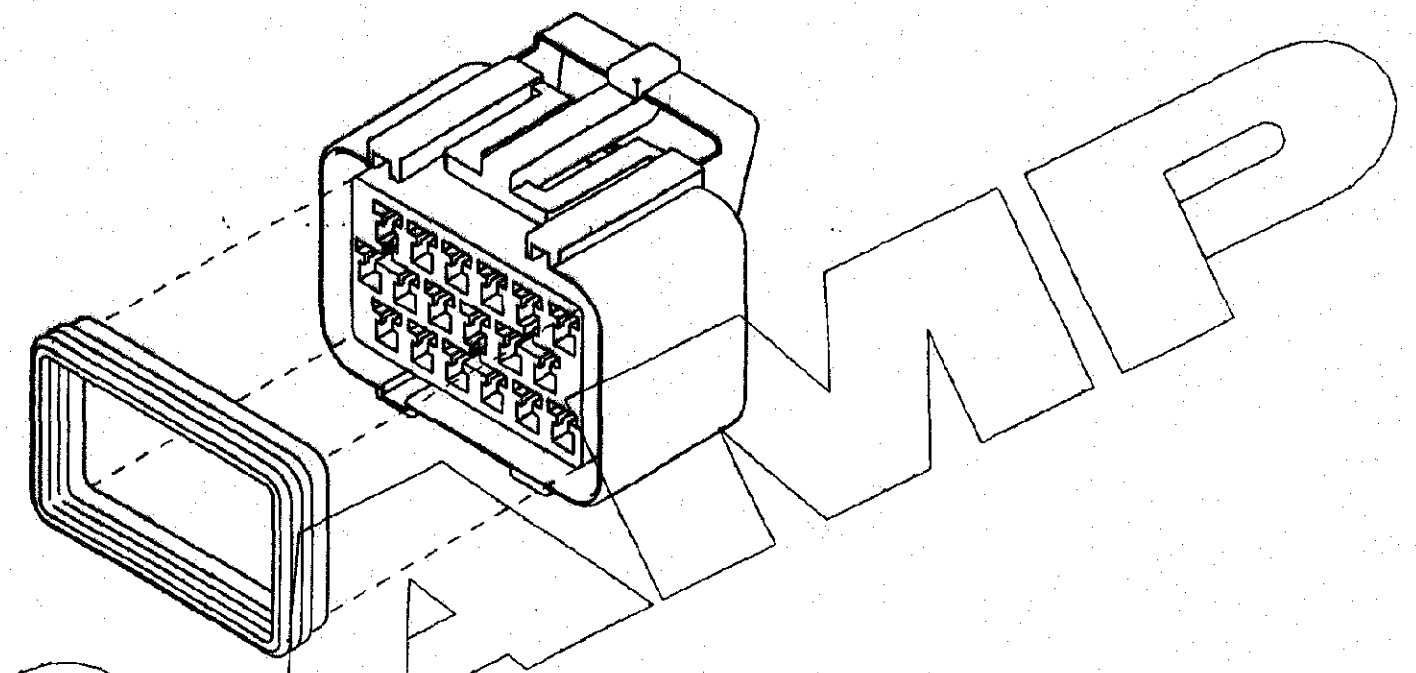
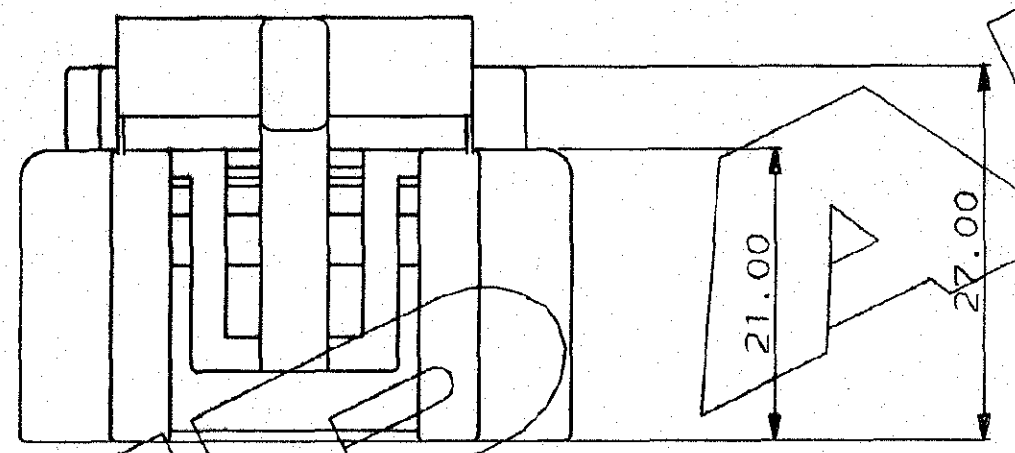
8 7 6 5 4 3 2 1

DO NOT SCALE

DIMENSIONS IN MM.



C.A.D. FILE CODE  
5. C348750.A



CUSTOMER DWG  
FOR REFERENCE ONLY

©COPYRIGHT 1987 BY AMP OF GREAT BRITAIN LTD. RELEASED FOR PUBLICATION  
ALL INTERNATIONAL RIGHTS RESERVED. ALL PRODUCTS 22-6-87  
MAY BE COVERED BY BRITISH AND FOREIGN PATENTS AND/OR PATENTS PENDING.

TOLERANCES UNLESS OTHERWISE STATED: DEC ± 0.5, ANGLES ± 1°  
DR. R. J. S. 11.4.94  
CH. P. T. APP. J. P.  
**AMP** of Great Britain Ltd. TERMINAL HOUSE STAMORE HIDD.

NAME: 18 WAY RECEPTACLE HOUSING ASSY. FOR ECONOSEAL 3 (WIRE TO BOARD)

ITEM No.	MATERIAL	DESCRIPTION	QTY. PER ASSY.	ASSEMBLY PART No.	REV	MODIFICATION	ECN	DATE	SCALE	LOC	SIZE	DWG. No.	REV	SHEET
2	SILICONE RUBBER	PERIPHERAL SEAL (ORANGE)	1	348750-1	A	RELEASED	6600-0091-01	11.4.94	2/1	E	A2	C348750	A	1/1
1	NYLON 66	18 WAY REC. HSG. (BLACK)	1											

8 7 6 5 4 3 2 1