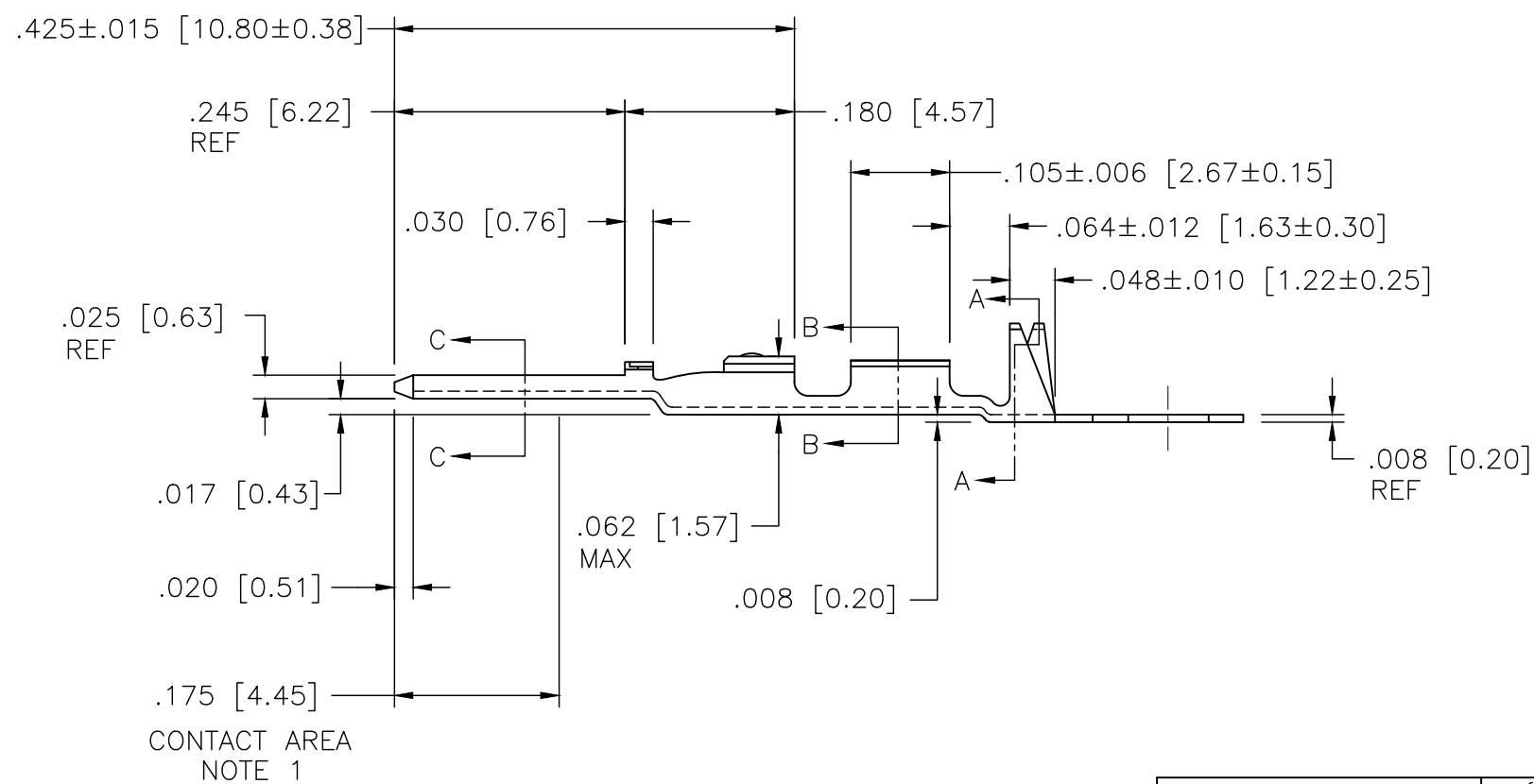
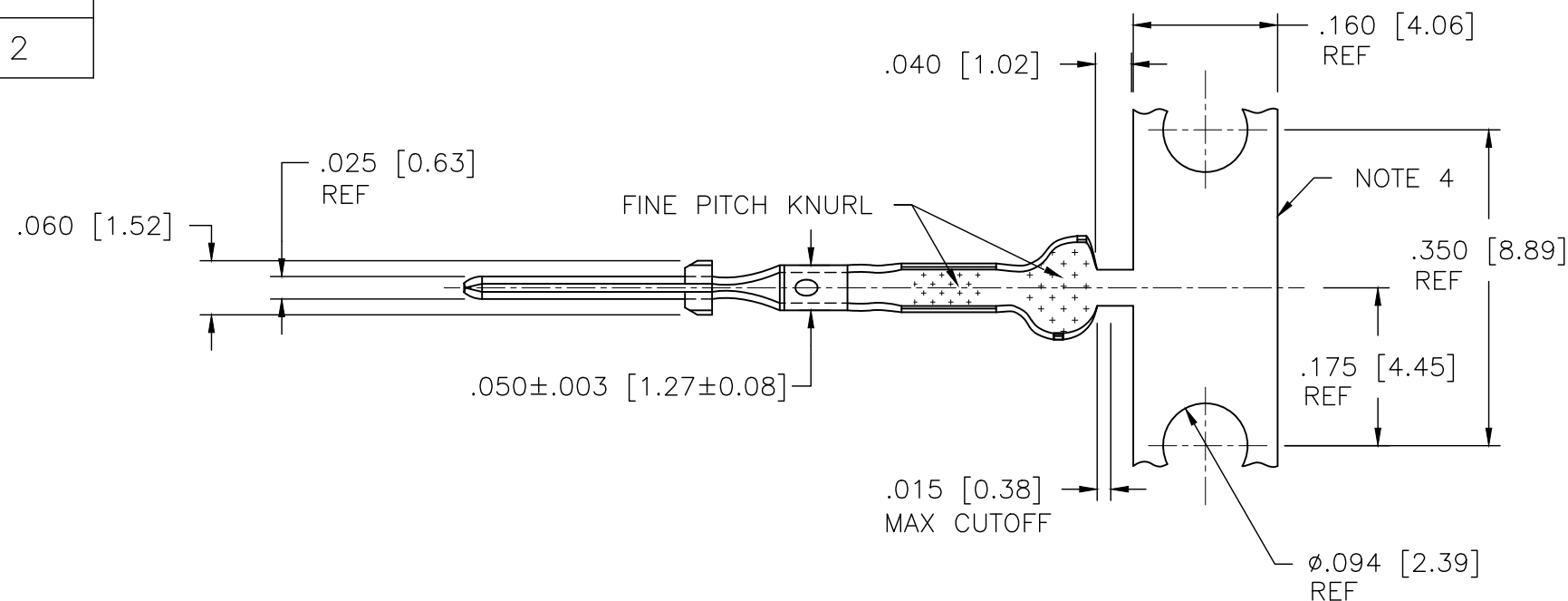




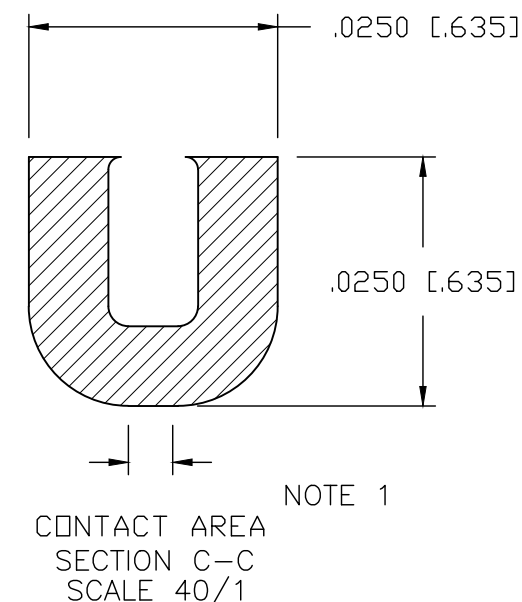
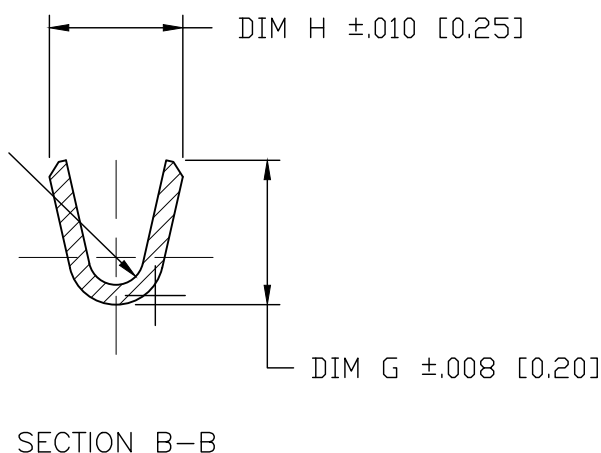
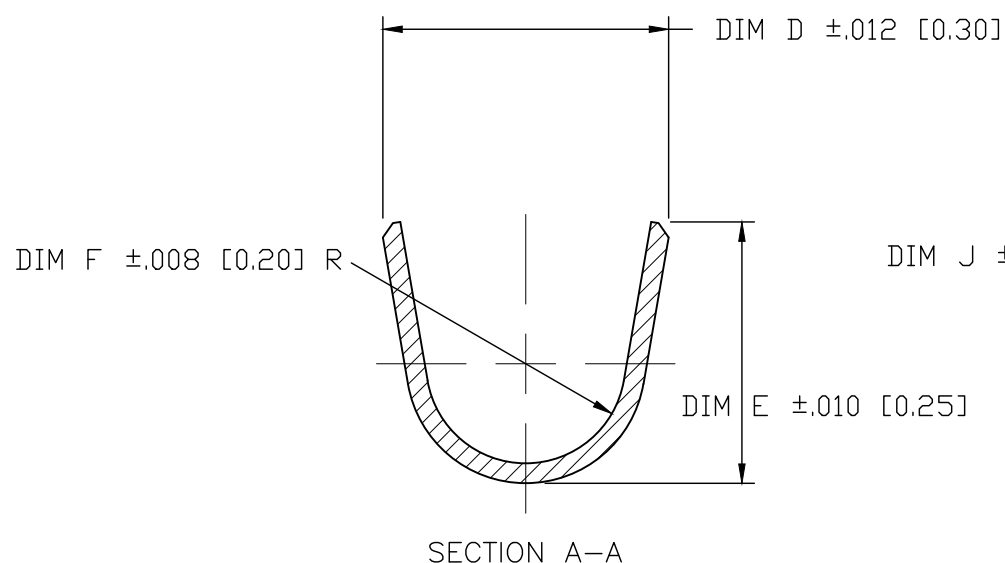
PRODUCT NUMBER

SEE SHEET 2



mat'l. code SEE TABLE				surface <input checked="" type="checkbox"/>	tolerance	projection	product family PV TERMINALS				
ltr	ecn no	dr	date	tolerances unless otherwise specified	<table border="1"> <tr> <td>angles</td> <td>0°±2'</td> </tr> </table>	angles	0°±2'	<table border="1"> <tr> <td>INCH/MM</td> </tr> </table>	INCH/MM	title DUPLEX CTW MALE PIN	
angles	0°±2'										
INCH/MM											
H	V09-0453	HTB	2009-10-15	.XX±.01/.X±.3	scale 4:1		dwg no 76808				
J	F-46055	DDE	22.10.04	.XXX±.005/.XX±.13			sheet 1 of 3	size A4			
D V04-1158 TAB 2004-12-04 dr M. CLOUSER 1994-08-22				E V05-0281 HTB 2005-04-14 engr T. HANNA 1994-08-22		F V06-0624 HTB 2006-06-30 chr T. HANNA 1994-08-22		G V08-0114 HTB 2008-04-01 appd T. HANNA 1994-08-22			
sheet index		revision		J	J	H					
		sheet		1	2	3					

PRODUCT NUMBER		LOOSE PIECE PRODUCT NUMBER (OBSOLETE)	AWG	PLATING	DIM D	DIM E	DIM F	DIM G	DIM H	DIM J
REELED FOR APPLICATION MACHINES FEEDING										
RIGHT - LEFT	LEFT - RIGHT									
76808-001	76808-004	76808-007 (OBSOLETE)	O B S O L E T E							
76808-001LF	76808-004LF	76808-007LF (OBSOLETE)	28-32	NOTE 7	.115 [2.92]	.105 [2.67]	.040 [1.02]	.058 [1.47]	.054 [1.37]	.011 [0.28]
76808-002	76808-005	76808-008 (OBSOLETE)	O B S O L E T E							
76808-002LF	76808-005LF	76808-008LF (OBSOLETE)	22-26	NOTE 7	.139 [3.53]	.120 [3.05]	.050 [1.27]	.065 [1.65]	.070 [1.78]	.017 [0.43]
76808-003	76808-006	76808-009 (OBSOLETE)	O B S O L E T E							
76808-003LF	76808-006LF	76808-009LF (OBSOLETE)	18-20	NOTE 7	.139 [3.53]	.120 [3.05]	.050 [1.27]	.083 [2.11]	.104 [2.64]	.021 [0.53]



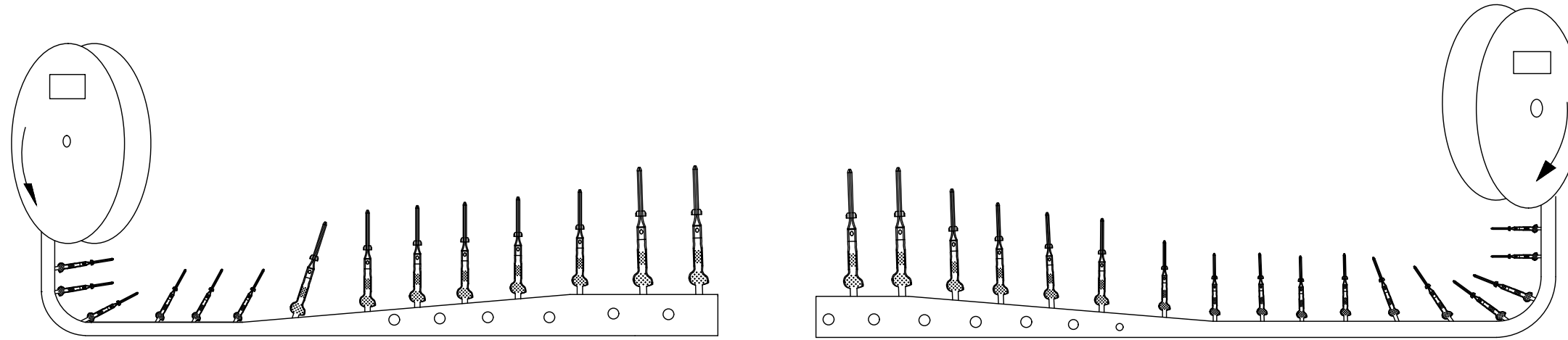
NOTES:

- PLATING: 50u"/1.27u MIN. Ni UNDERPLATE OVER ENTIRE TERMINAL. OVERPLATE 30u"/0.76 MIN. Au IN CONTACT AREA. 50u"/1.27u MIN. TIN-LEAD IN CRIMPING AREA.
- TERMINAL MAY BE USED WITH MINI LATCH HOUSING.
- APPLICABLE SPECIFICATION:
A. BUS-12-098 PRODUCT SPECIFICATION.
B. TA-211 CRIMP SPECIFICATION.
- FOR MANUFACTURING PURPOSES ONLY.
- PRODUCT MEETS EUROPEAN UNION DIRECTIVES AND OTHER COUNTRY REGULATIONS AS DESCRIBED IN GS-22-008.
- THIS PRODUCT IS NOT INTENDED TO BE EXPOSED TO MANUFACTURING SOLDERING PROCESSES.
- PLATING: 50u"/1.27u MIN. Ni UNDERPLATE OVER ENTIRE TERMINAL. OVERPLATE 30u"/0.76 MIN. Au IN CONTACT AREA. 50u"/1.27u MIN. TIN IN CRIMPING AREA.

mat'l. code SEE TABLE		surface	tolerance	projection	product family PV TERMINALS
ltr	ecn no	dr	date	tolerances unless otherwise specified	title
H				angles	DUPLEX CTW MALE PIN
J	F-46055	DDE	22.10.04	0°±2'	
		dr	M. CLOUSER	1994-08-22	dwg no
		enr	T. HANNA	1994-08-22	sheet 2 of 3
		chr	T. HANNA	1994-08-22	size
		appd	T. HANNA	1994-08-22	A4
sheet index		revision sheet			type
					CUSTOMER Drawing



PRODUCT NUMBER
SEE SHEET 2



Unreeling Direction
Left to Right Into
Applicator

Unreeling Direction
Right to Left Into
Applicator

mat'l. code SEE TABLE		surface <input checked="" type="checkbox"/>	tolerance	projection	product family PV TERMINALS
ltr	ecn no	dr	date	tolerances unless otherwise specified	title
H				angles <input type="checkbox"/> linear <input type="checkbox"/>	DUPLEX CTW MALE PIN
				0°±2'	INCH/MM
				.XX±.01/.X±.3	scale 1:1
				.XXX±.005/.XX±.13	
				.XXXX±.0020/.XXX±.05	
		dr	M. CLOUSER	1994-08-22	dwg no
		enr	T. HANNA	1994-08-22	sheet 3 of 3
		chr	T. HANNA	1994-08-22	76808
		appd	T. HANNA	1994-08-22	A4
sheet index	revision sheet				type CUSTOMER Drawing