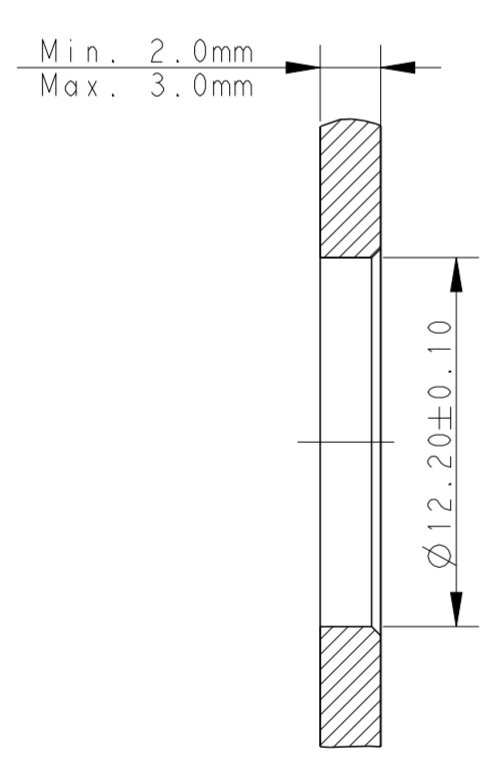
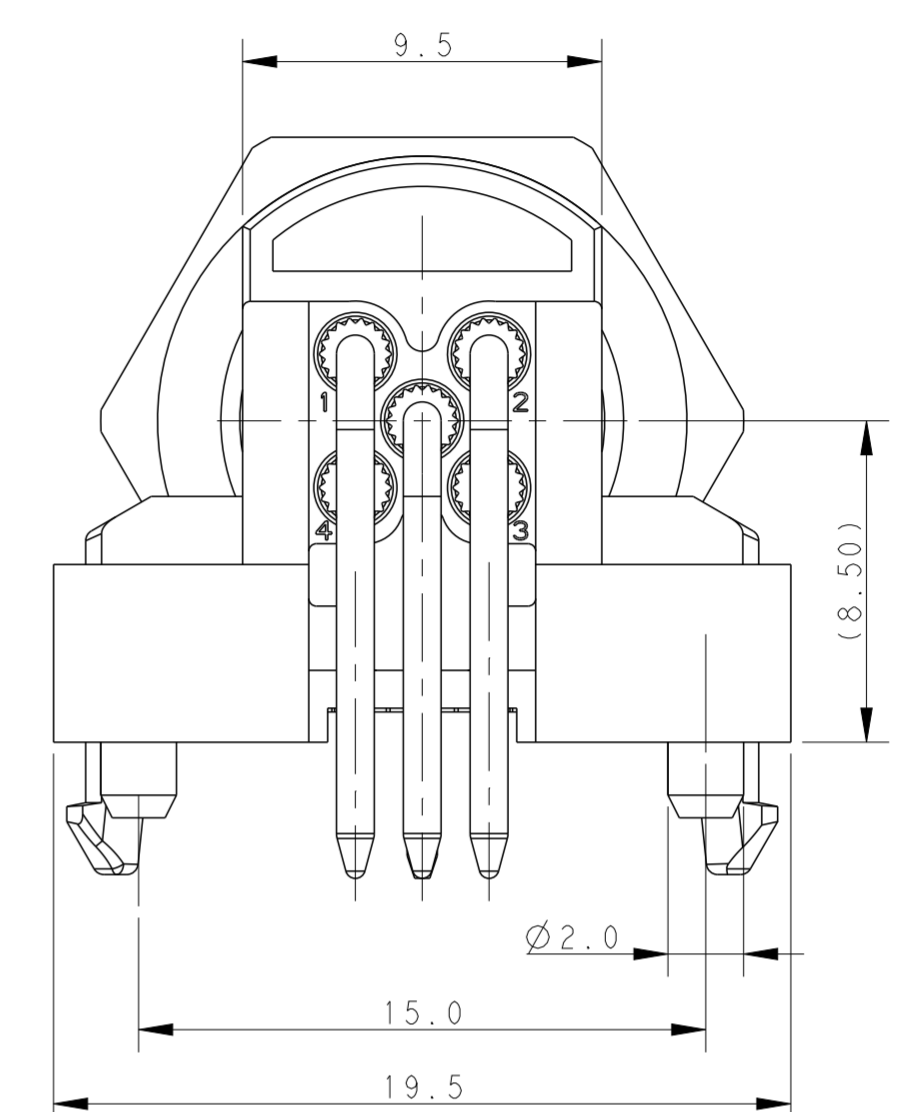
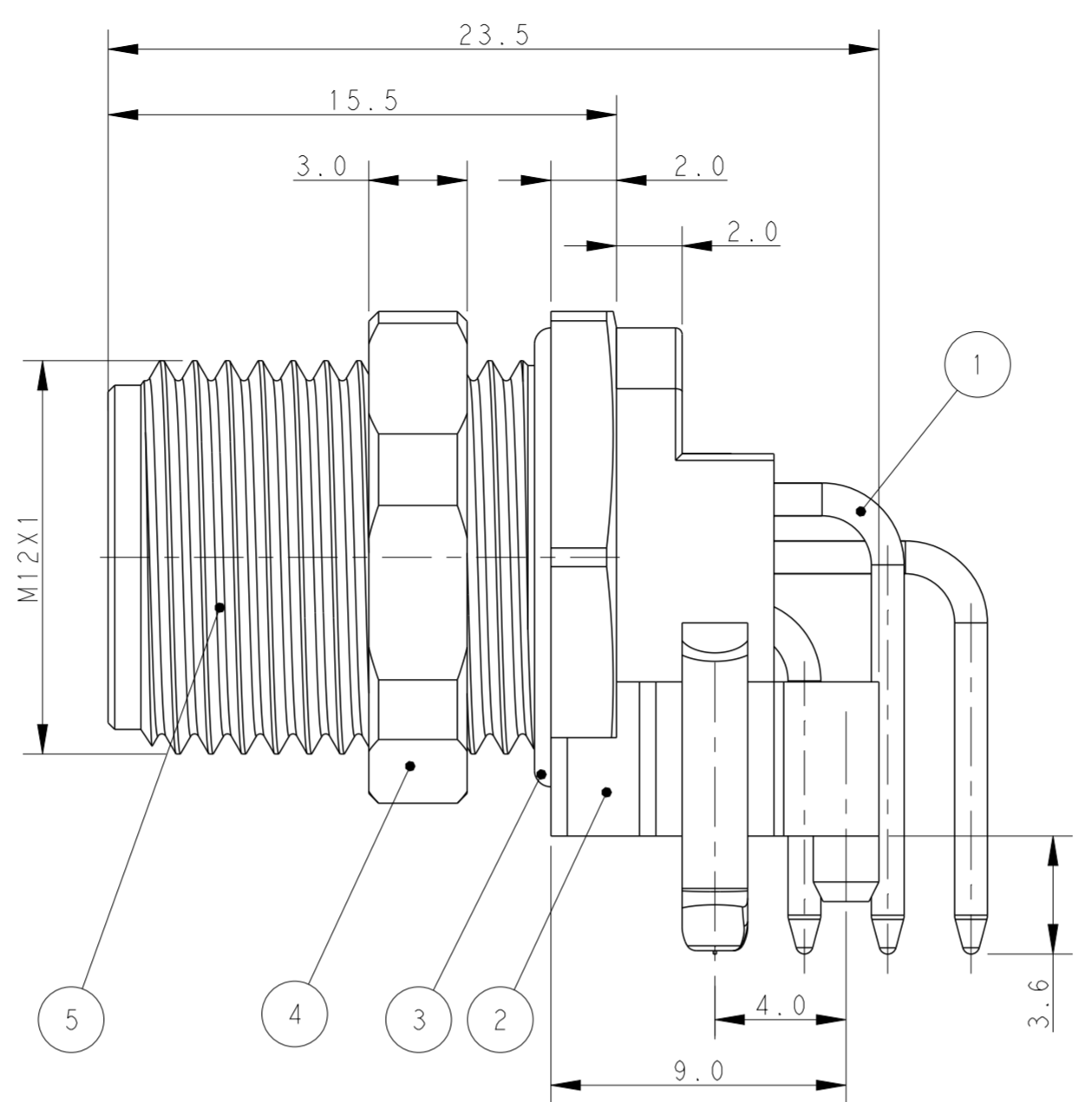
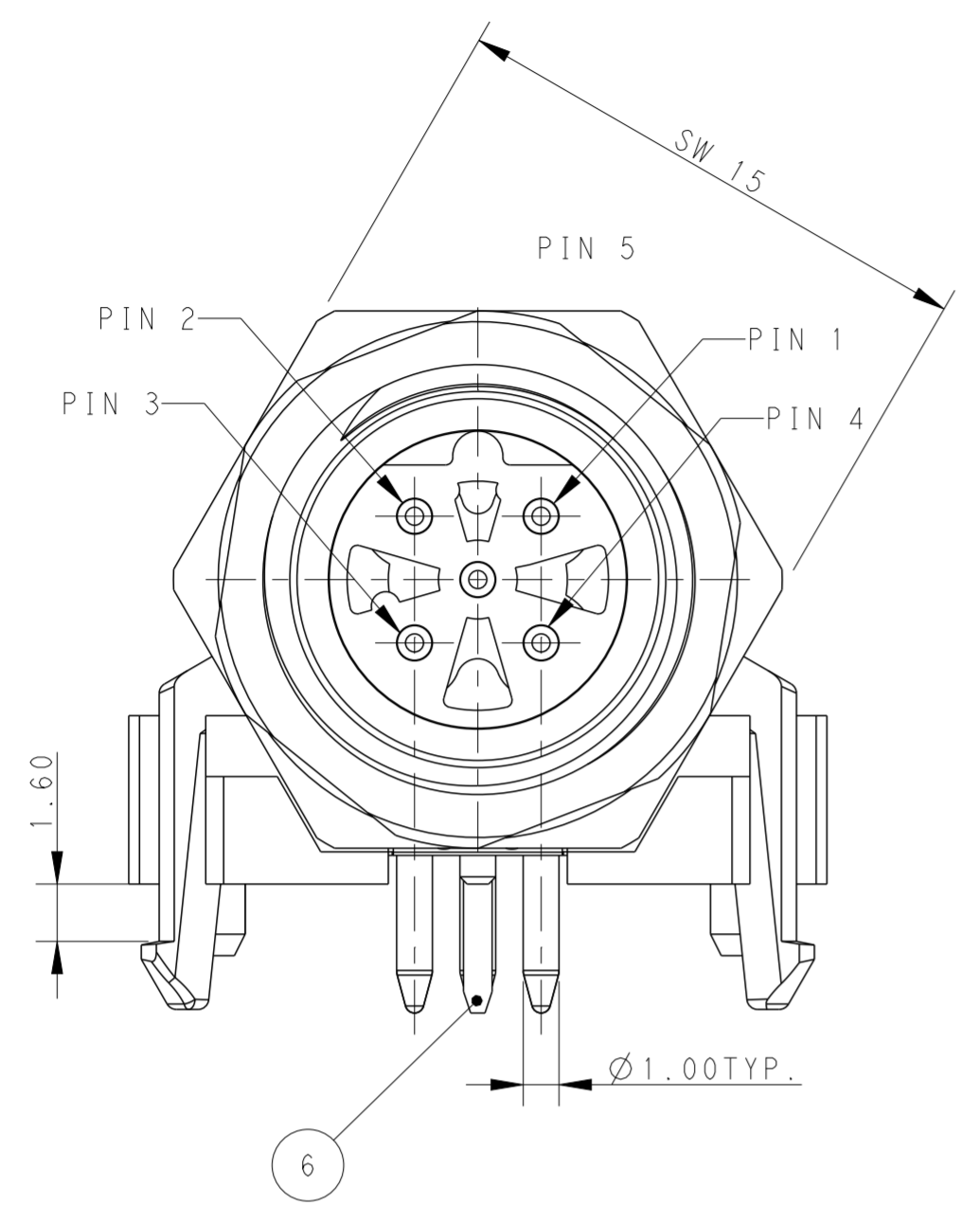
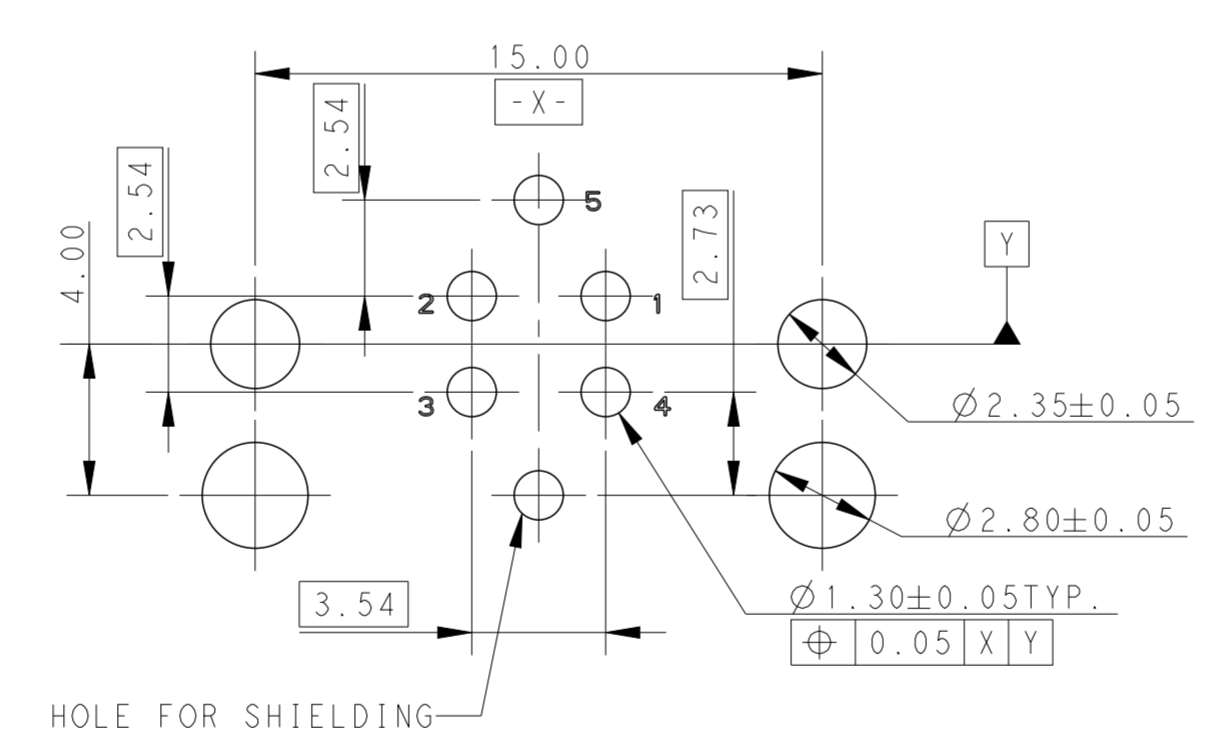


THIS DRAWING IS UNPUBLISHED. RELEASED FOR PUBLICATION 20  
 © COPYRIGHT 20 ALL RIGHTS RESERVED.

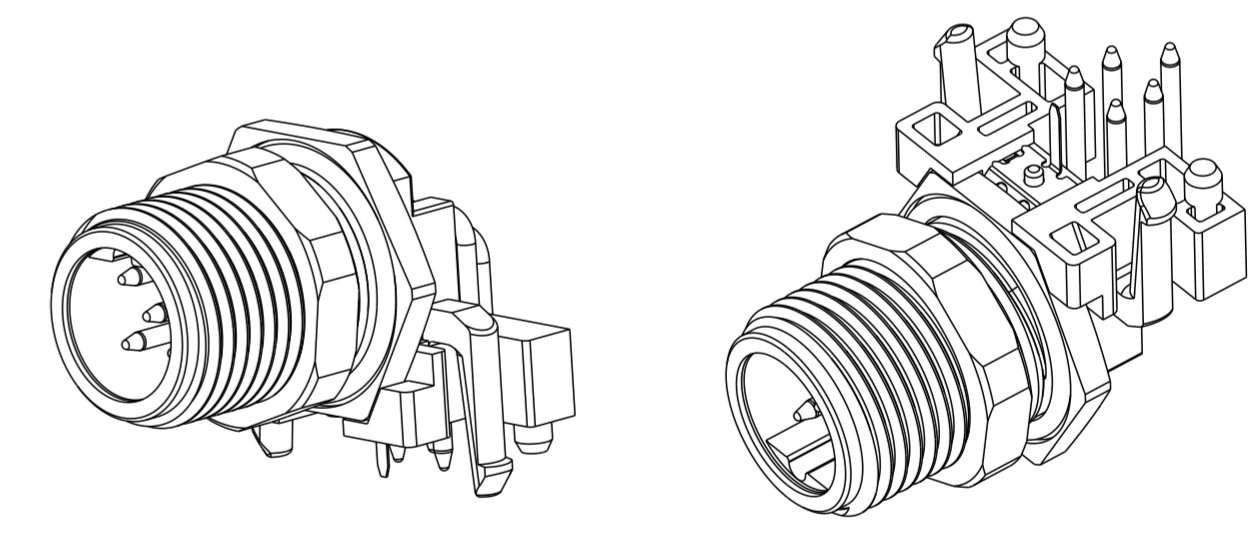
REVISIONS				
P	LTR	DESCRIPTION	DATE	APVD
A		INITIAL RELEASE	27MAY2016	N.P X.X
A1		ECR-19-006232	18APR2019	B.P C.W



RECOMMENDED PANEL SIZE



HOLE FOR SHIELDING  
 RECOMMEND PCB LAYOUT  
 PCB THICKNESS: 1.6mm



ITEM	MATERIAL	DESCRIPTION	ITEM
6	BRASS	SHIELDING	6
5	BRASS	NUT	5
4	BRASS	COUPLING NUT	4
3	SILICONE	O-RING	3
2	BALCK COLOR PA66	HOUSING	2
1	GOLD FLASH BRONZE	CONTACT	1

TABLE 1

TECHNICAL DATA	T4144435051-000
RATED VOLTAGE	60V
RATED CURRENT	4A
POLLUTION DEGREE	3
OVERVOLTAGE CATEGORY	II
MATERIAL GROUP	II
DEGREE OF PROTECTION	IP67
OPERATION TEMPERATURE	-40~85°C

- NOTES:
1. TECHNICAL DATA: SEE TABLE 1
  2. RECOMMENDED PANEL CUTOUT AND PCB LAYOUT SEE DETAIL .
  3. ALL DIMENSIONS ARE FOR NOMINAL REFERENCE ONLY UNLESS OTHERWISE STATED
- 注意事项
1. 技术参数：见表1；
  2. 推荐面板及PCB开孔尺寸如图所示；
  3. 所有尺寸仅供参考，除另外说明。

THIS DRAWING IS A CONTROLLED DOCUMENT.

DIMENSIONS:	TOLERANCES UNLESS OTHERWISE SPECIFIED:	DWN Nick Pan 25MAY2016	TYPE	RPC-M12B-MRS-5CON-M12-LPU	5	T4144415051-000
mm	0 PLC ±	CHK Kobby Zhao 25MAY2016	POS.			
	1 PLC ±0.25	APVD Xiang Xu 25MAY2016	PART NUMBER			
	2 PLC ±0.15	PRODUCT SPEC				
	3 PLC ±	APPLICATION SPEC				
	4 PLC ±	114-137144-1				
MATERIAL	ANGLES ±	WEIGHT				
	FINISH					

CUSTOMER DRAWING SCALE 2:1 SHEET 1 OF 1 REV B

STC TE Connectivity

M12 RIGHT ANGLE PCB ASSEMBLY CONNECTOR, SHIELDED, MALE, B-CODE