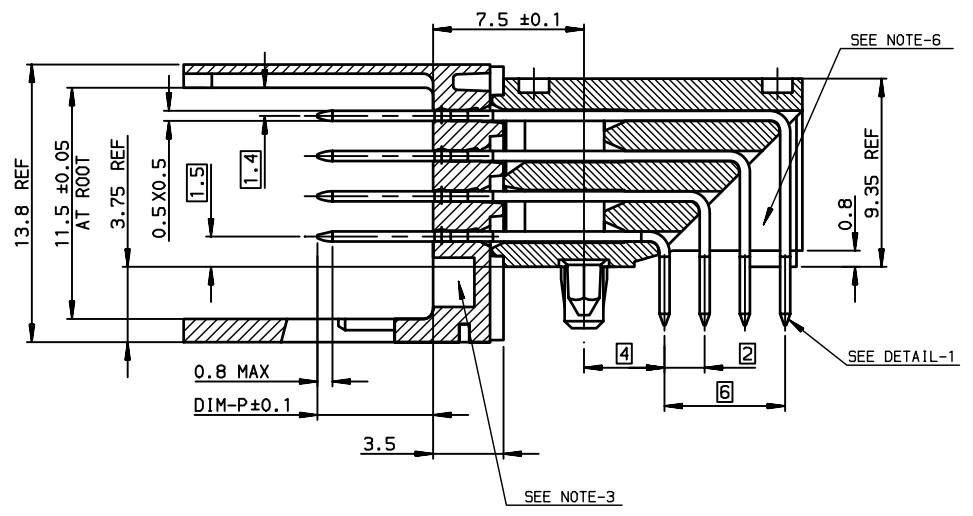


**GENERAL CHARACTERISTICS AND ROHS INFORMATIONS:**  
**SEE PRODUCT SPECIFICATION: GS-12-446**

- NOTE-2: ONE CENTER PEG FOR HOLD DOWN FORCE
- NOTE-3: CODING RECESS FOR 8MM EXTENDED KEYS
- NOTE-4: PRODUCT MARKING = PRODUCT NUMBER + FCI+DATE CODE
- NOTE-5: PLATING ON MATING PART : SEE PROD. SPEC GS-12-446
- NOTE-6: CENTRAL WALL WITH END REAR SUPPORT
- NOTE-7: STANDARD PACKAGING IS TUBE ,BUT IF SUFFIX "P" IS ADDED IN P/N,PACKAGING IS IN TRAYS,MARKING IS WITHOUT "P"  
 Example: 85824-1xxPLF ,marking 85824-1xxLF

SECTION-A SCALE 4/1



OTHERS INFORMATIONS,SEE DRW 85824-2

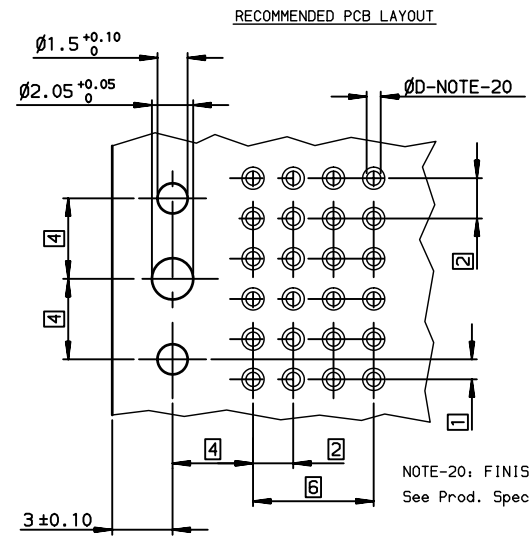
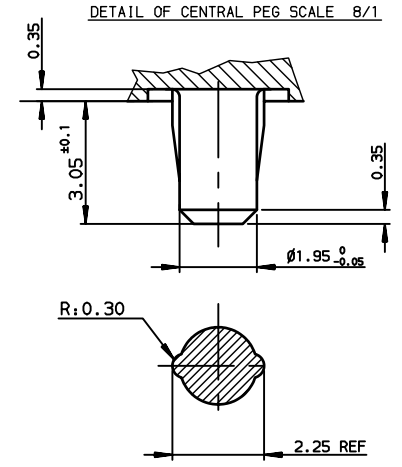
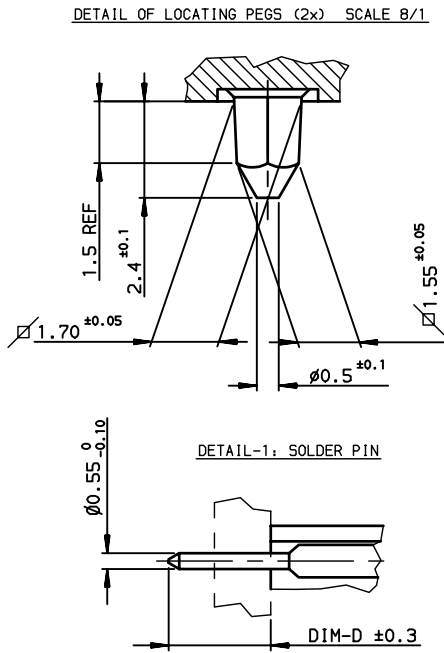
European Views

www.fciconnect.com		surface ISO 1302	tolerance std ISO 406 ISO 1101	projection mm
TOLERANCES UNLESS OTHERWISE SPECIFIED				
Dr	LENOIR	1994/04/21	0.X	±0.1
Eng	LENOIR	1994/04/21	0.XX	±0.1
Chr	LEGARE	1994/04/21	0.XXX	±0.1
Appr	LEGARE	1994/04/21	Product family METRAL Spec ref -	
title METRAL RA HDR STB CONVERG		dwg no 85824-1		Rev. J
catalog no		CUSTOMER		sheet 1 of 2

rev	ecn no	dr	date
E	-	CHA	2003/07/03
F	LS05-0056	MLE	2005/04/20
G	LS06-0114	LGO	2006/08/12
H	LS07-0134	MLE	2007/04/14
J	LS07-0143	MLE	2007/05/21
-	-	-	-
-	-	-	-

Copyright FCI. FCI

PART NUMBER / CONTACT LOADING						
DIM-P ±0.10				DIM-D ±0.30	TIN LEAD PART NUMBER	LEAD FREE PART NUMBER
ROW-A	ROW-B	ROW-C	ROW-D			
5.00	5.00	5.00	5.00	2.90	85824-X01	85824-X01LF
5.00	5.75	5.00	5.00	2.90	85824-X02	85824-X02LF
5.00	5.75	6.50	5.00	2.90	85824-X03	85824-X03LF
5.00	5.00	6.50	5.00	2.90	85824-X04	85824-X04LF
5.75	5.75	5.75	5.75	2.90	85824-X05	85824-X05LF
6.50	5.75	5.00	5.75	2.90	85824-X06	85824-X06LF
6.50	6.50	6.50	5.75	2.90	85824-X07	85824-X07LF
6.50	5.75	6.50	5.75	2.90	85824-X08	85824-X08LF
6.50	5.00	5.00	5.00	2.90	85824-X09	85824-X09LF
5.75	5.75	5.75	5.75	3.70	85824-X10	85824-X10LF



OTHERS INFORMATIONS, SEE DRW 85824-1

European Views

www.fciconnect.com		surface ISO 1302 ✓	tolerance std ISO 406 ISO 1101	projection mm
TOLERANCES UNLESS OTHERWISE SPECIFIED				
Dr	LENOIR	1994/04/21	ANGULAR	0.X ±0.1
Eng	LENOIR	1994/04/21	LINEAR	0.XX ±0.1
Chr	LEGARE	1994/04/21	0.XX' ±2'	0.XXX ±0.1
Appr	LEGARE	1994/04/21	Product family	METRAL
			size	A3
			Scale	4:1
			ECN	LS07-0143
			Spec ref	-
			title	METRAL RA HDR STB CONVERG
			dwg no	85824-2
			Rev.	J
			catalog no	CUSTOMER
			sheet	2 of 2

rev	ecn no	dr	date
E	-	CHA	2003/07/03
F	LS05-0056	MLE	2005/04/20
G	LS06-0114	LGO	2006/08/12
H	LS07-0134	MLE	2007/05/14
J	LS07-0143	MLE	2007/05/21
-	-	-	-
-	-	-	-