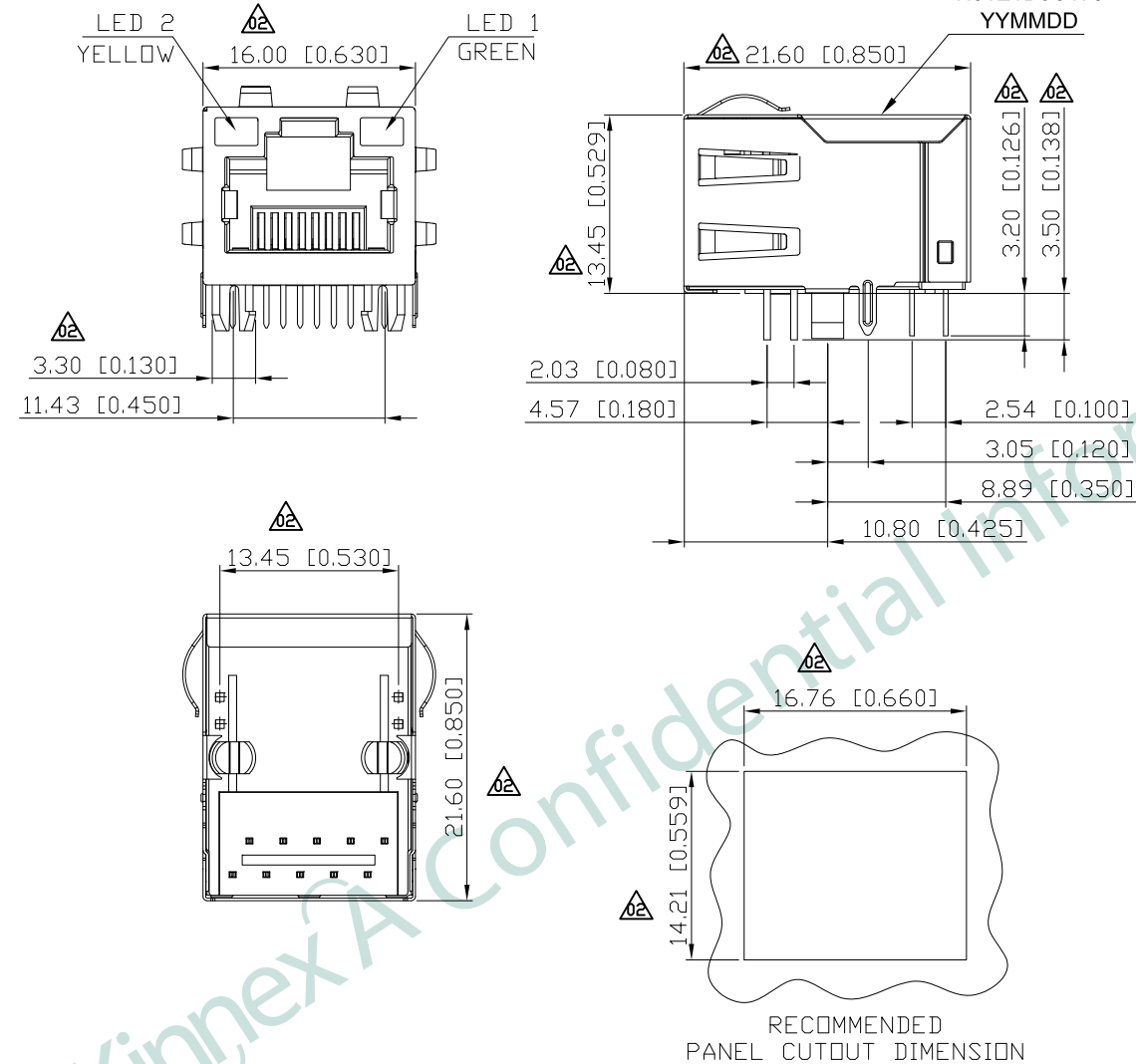


1. MECHANICAL DIMENSIONS :



**KinnexA**  
H01E1D3C170  
YYMMDD

NOTES:

1. MATERIAL:

HOUSING: HIGH THERMOPLASTIC, UL94V-0, BLACK  
CONTACTS: PHOS-BRONZE, 6u" GOLD PLATING ON CONTACT AREA,  
NICKEL UNDERPLATING OVERALL  
SHIELD: COPPER ALLOY, NICKEL PLATING

2. OPERATING TEMPERATURE: 0°C~+70°C

3. INSERTION FORCE: 4 POUNDS MAX.  
EXTRACTION FORCE: 4 POUNDS MAX.

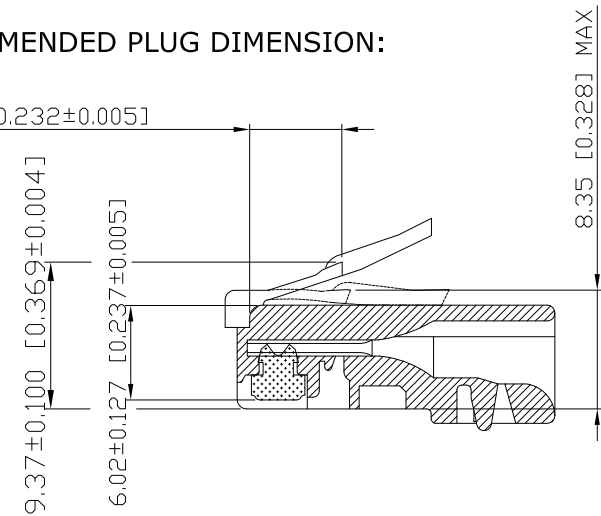
4. DURABILITY: 750 MATING CYCLED MIN.

5. CAVITY CONFORMS TO FCC RULES AND REGULATIONS PART 68,  
SUBPART F.

6. UNSPECIFIED TOLERANCE: .XX ±0.25[0.010]  
.X ±0.30[0.012]

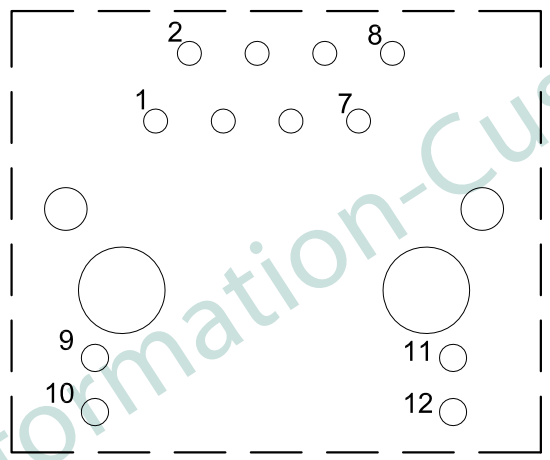
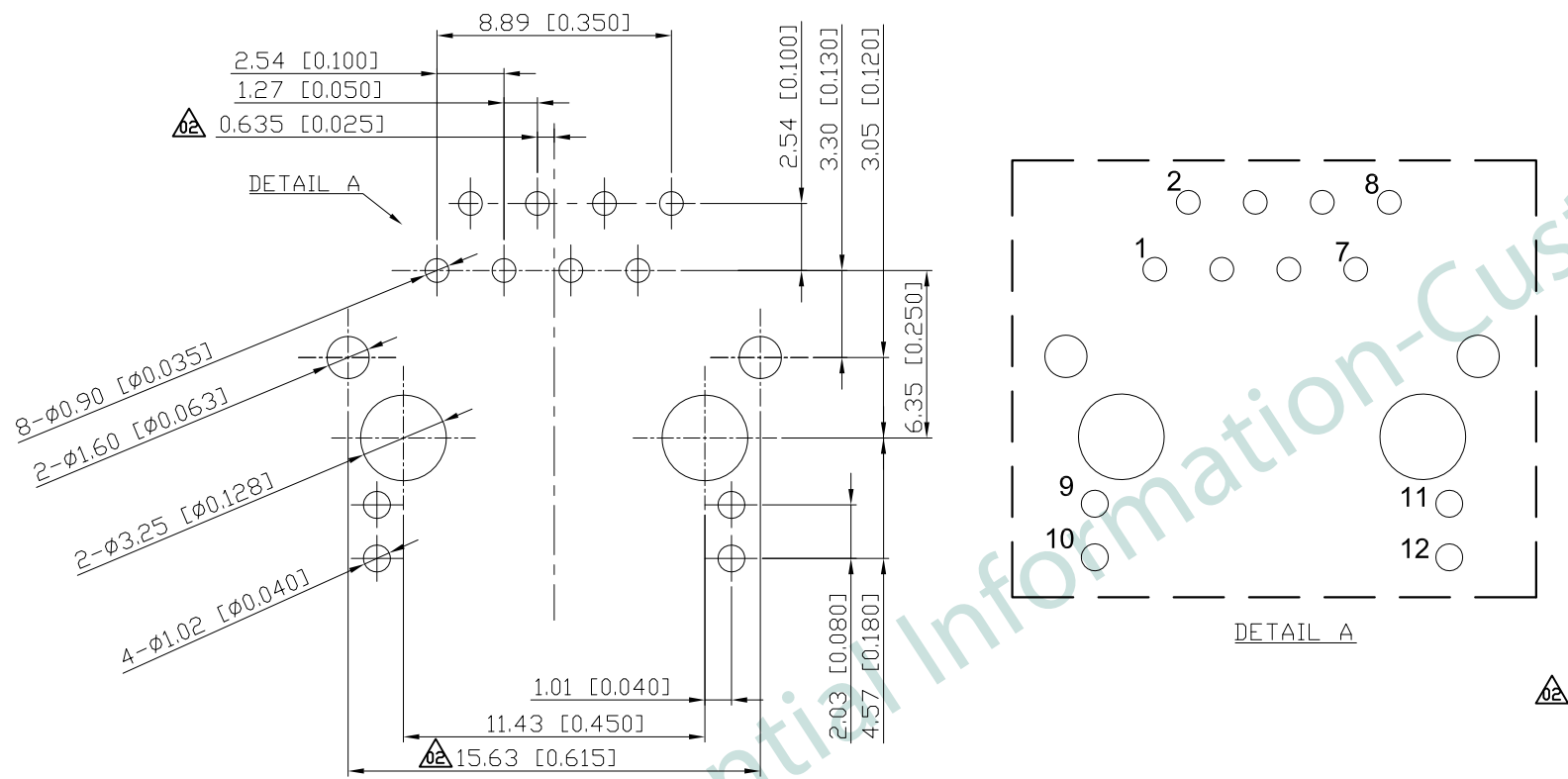
4. RECOMMENDED PLUG DIMENSION:

5.89±0.127[0.232±0.005]



PART NO		KRH-01E-1-D3C-170		
TITLE	RJ45 8P8C, W/ 10/100 TRANSFORMER, W/LED, SHIELDED			
REV : 02				
UNIT	DRAWN	CHKD	DATE	SHEET
mm[inch]	CINDY	DANIEL	Sep. 27, '17	1 of 5

2. PCB LAYOUT :



P#	DEFINITION
P1	TD+
P2	TD-
P3	CT
P4	-
P5	-
P6	CT
P7	RD+
P8	RD-
P9	LEFT YE+
P10	LEFT YE-
P11	RIGHT GR+
P12	RIGHT GR-

SUGGESTED PCB LAYOUT  
(TOP VIEW) SCALE 2:1  
DIMENSIONAL TOLERANCE: .XX ±0.08[0.003]

KRH-01E-1-D3C-170

PRODUCT SERIES  
KRH: LATCH UP

NUMBER OF PORTS  
MECHANICAL TYPE  
01E: KRH 1 PORT, LENGTH=21.3mm,  
STAGGERED PINS

LED COLOR OPTION

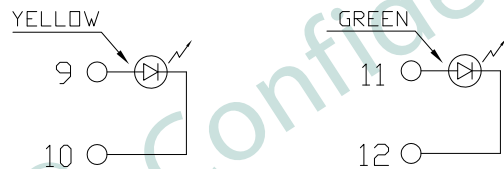
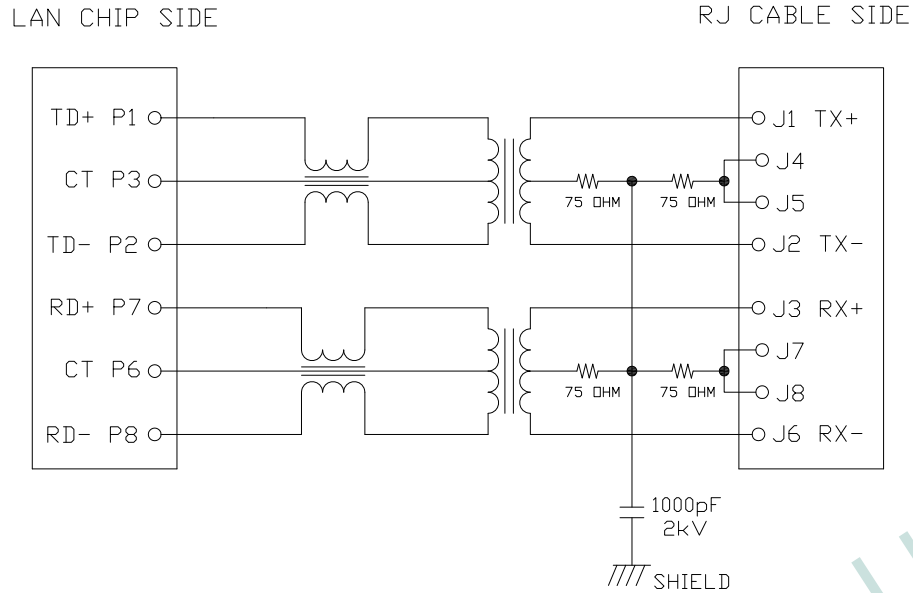
SPECIAL CODE  
0: STANDARD  
SHIELDED TYPE  
7: EMI FINGER ON ALL SIDE  
LED POLARITY  
1: +- , +-

CIRCUIT TYPE

PART NO		KRH-01E-1-D3C-170		
TITLE	RJ45 8P8C, W/ 10/100 TRANSFORMER, W/LED, SHIELDED			
REV : 02				
UNIT	DRAWN	CHKD	DATE	SHEET
mm[inch]	CINDY	DANIEL	Sep. 27, '17	2 of 5

### 3. SCHEMATIC :

### 4. ELECTRICAL CHARACTERISTICS :



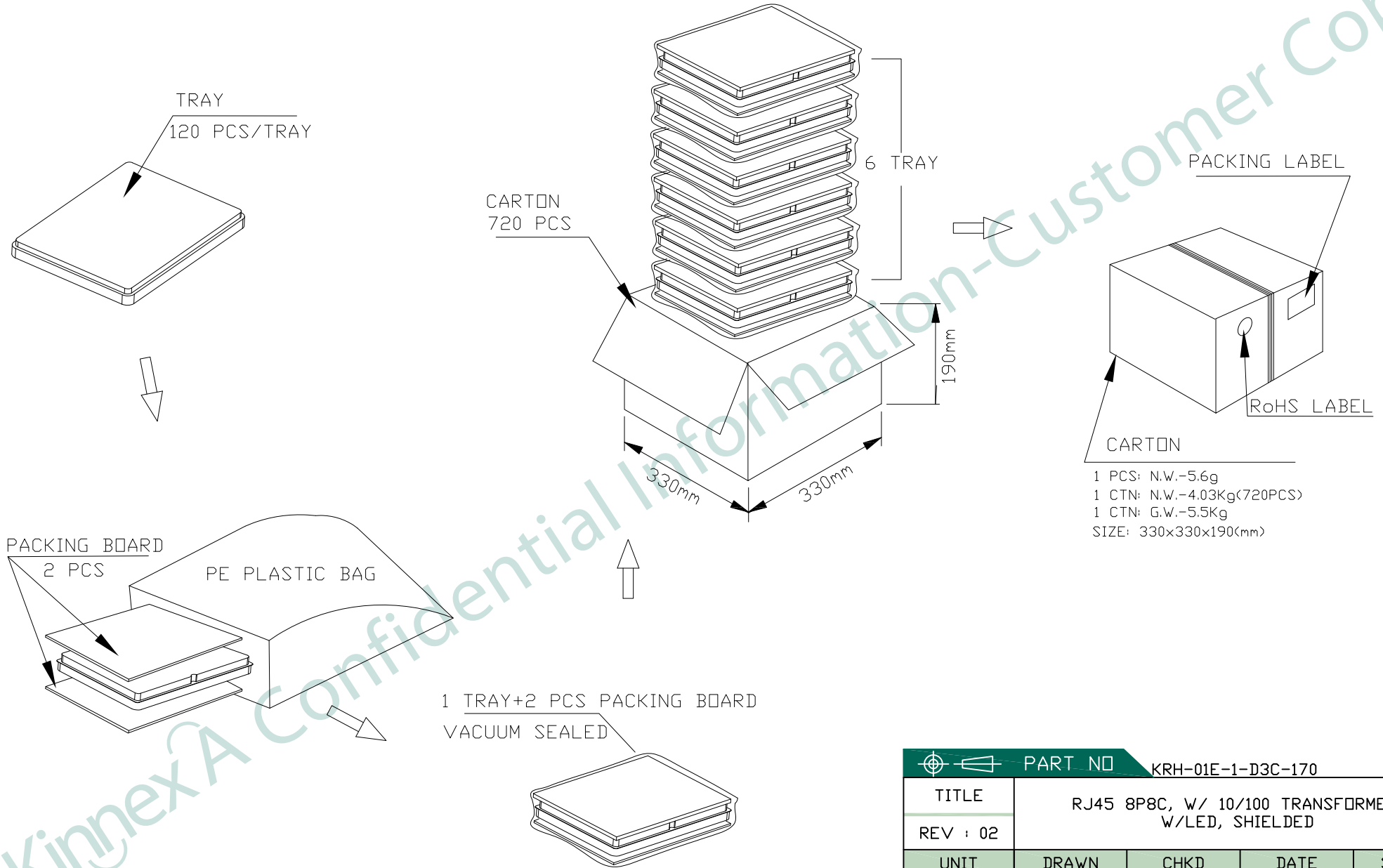
COLOR	VF(V) @20mA		IV(mcd) @20mA	IF(mA)	PEAK WAVE LENGTH λP(nm) @20mA
	TYP	MAX	TYP	TYP	TYP
YELLOW	2.2	2.6	15	20	588
GREEN	2.2	2.6	10	20	570

TEST NOTES:(25±5°C)

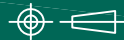
- TR:  
INPUT TO OUTPUT=1:1±3%
- LX:(100KHz,100mV,8mA, DC Bias)  
350uH MINIMUM
- DCR:  
EVERY RJ PAIR=1.2 Ω MAXIMUM
- HIPOT:  
INPUT(RJ SIDE) TO OUTPUT(LAN SIDE):  
1500 VAC/60SEC
- INSERTION LOSS:  
-1.0dB MAXIMUM AT 0.3MHz TO 100MHz
- RETURN LOSS:  
-20dB MINIMUM AT 1MHz TO 30MHz  
-15dB MINIMUM AT 30MHz TO 60MHz  
-10dB MINIMUM AT 60MHz TO 80MHz
- CROSS TALK:  
-30dB MINIMUM AT 1MHz TO 100MHz
- COMMON TO COMMON MODE REJECTION:  
-30dB MINIMUM AT 1MHz TO 100MHz

PART NO		KRH-01E-1-D3C-170		
TITLE	RJ45 8P8C, W/ 10/100 TRANSFORMER, W/LED, SHIELDED			
REV : 02				
UNIT	DRAWN	CHKD	DATE	SHEET
mm[inch]	CINDY	DANIEL	Sep. 27, '17	3 of 5

9. PACKING SPECIFICATION:

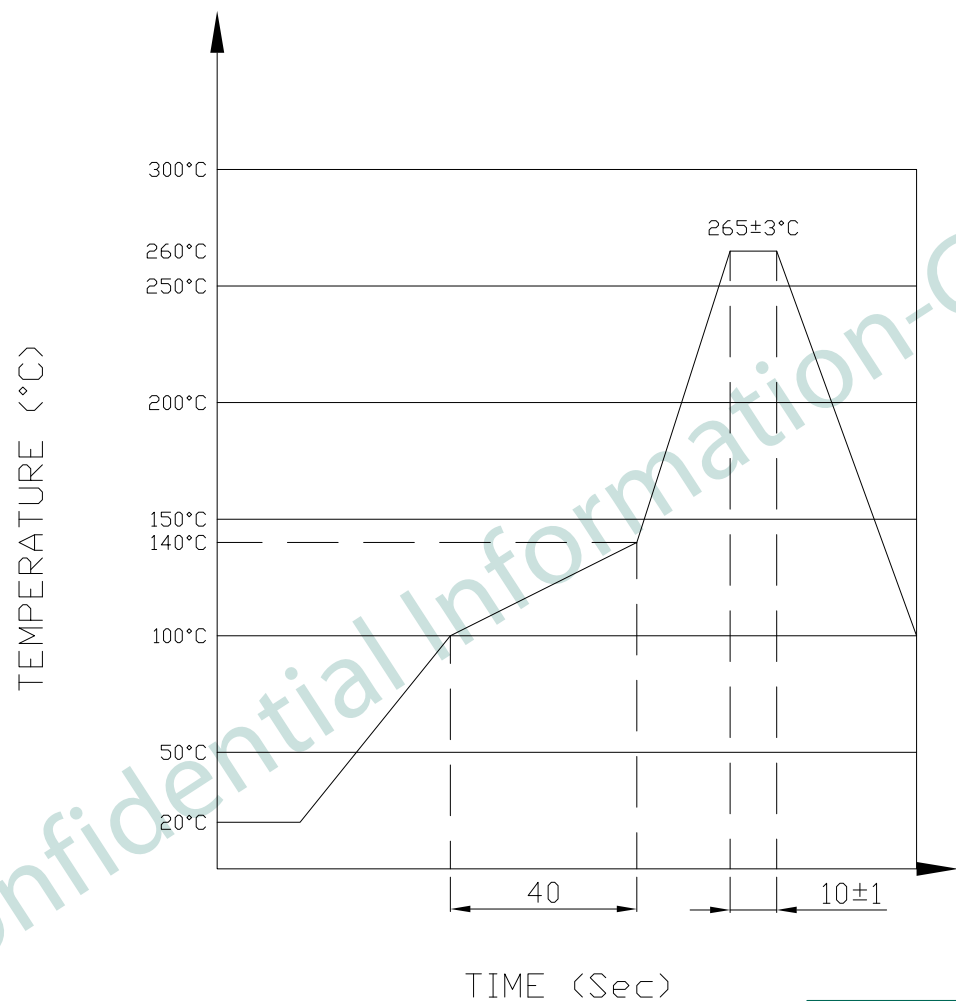


CARTON  
 1 PCS: N.W.-5.6g  
 1 CTN: N.W.-4.03Kg(720PCS)  
 1 CTN: G.W.-5.5Kg  
 SIZE: 330x330x190(mm)

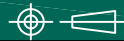
 PART NO KRH-01E-1-D3C-170				
TITLE	RJ45 8P8C, W/ 10/100 TRANSFORMER, W/LED, SHIELDED			
REV : 02				
UNIT	DRAWN	CHKD	DATE	SHEET
mm[inch]	CINDY	DANIEL	Sep. 27, '17	4 of 5

RoHS Compliant

10. PROFILE OF WAVE SOLDER : 



The measuring point for the specified temperature shall be on the soldered part of the lead

 PART NO		KRH-01E-1-D3C-170		
TITLE	RJ45 8P8C, W/ 10/100 TRANSFORMER, W/LED, SHIELDED			
REV : 02				
UNIT	DRAWN	CHKD	DATE	SHEET
mm[inch]	CINDY	DANIEL	Sep. 27, '17	5 of 5