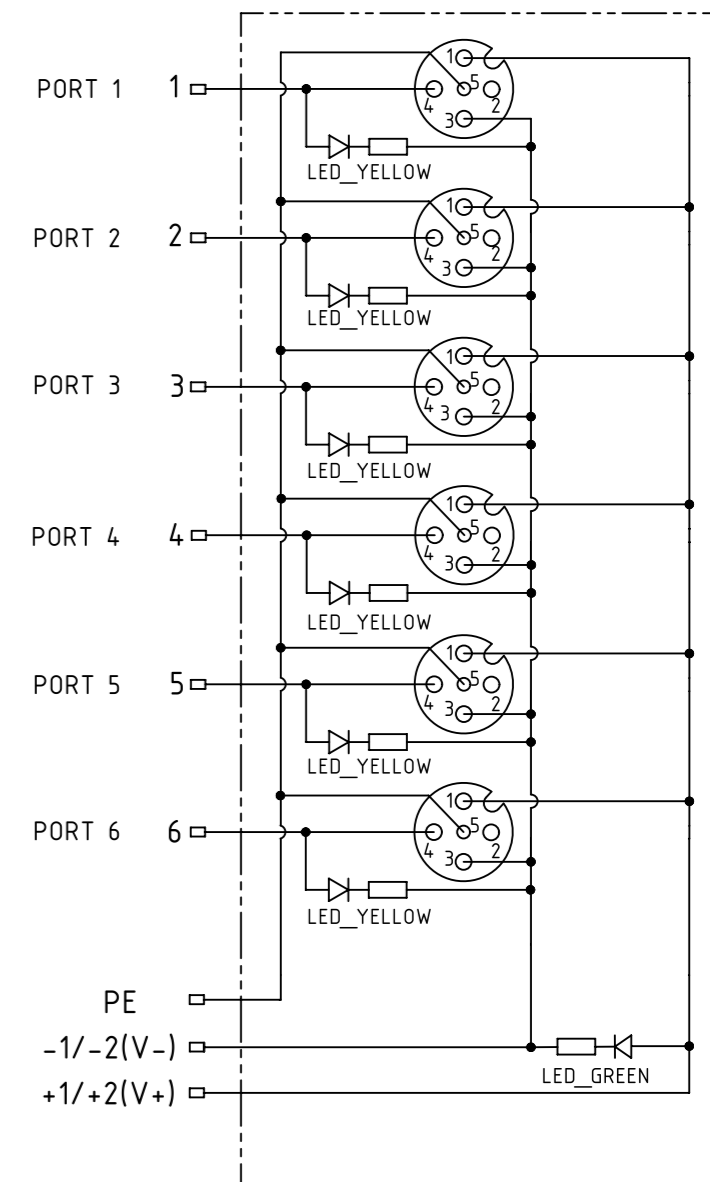
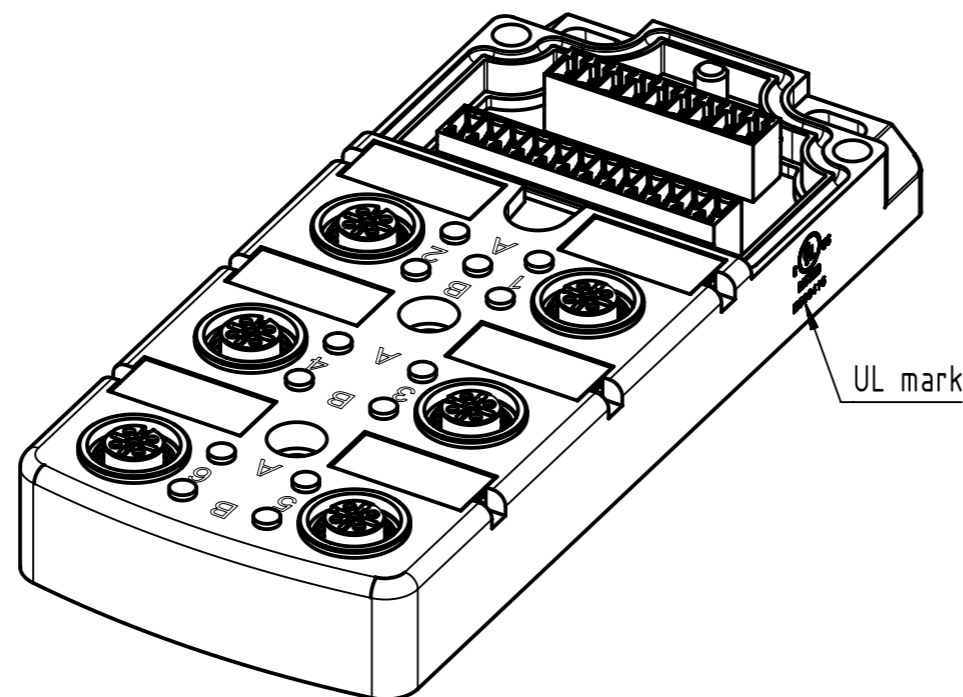
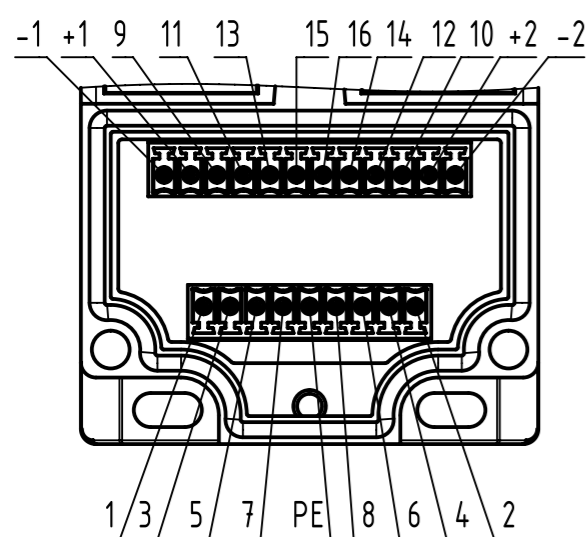
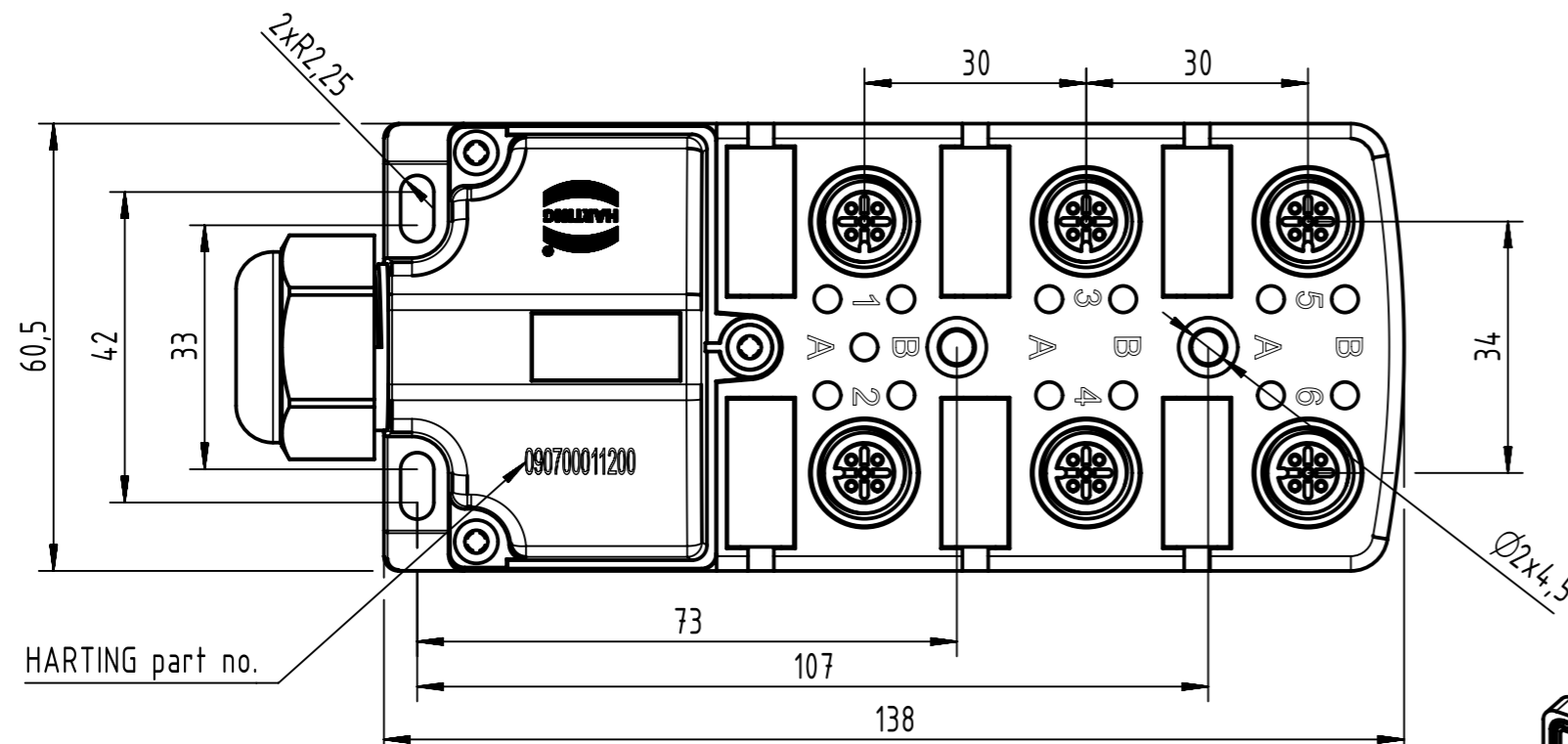
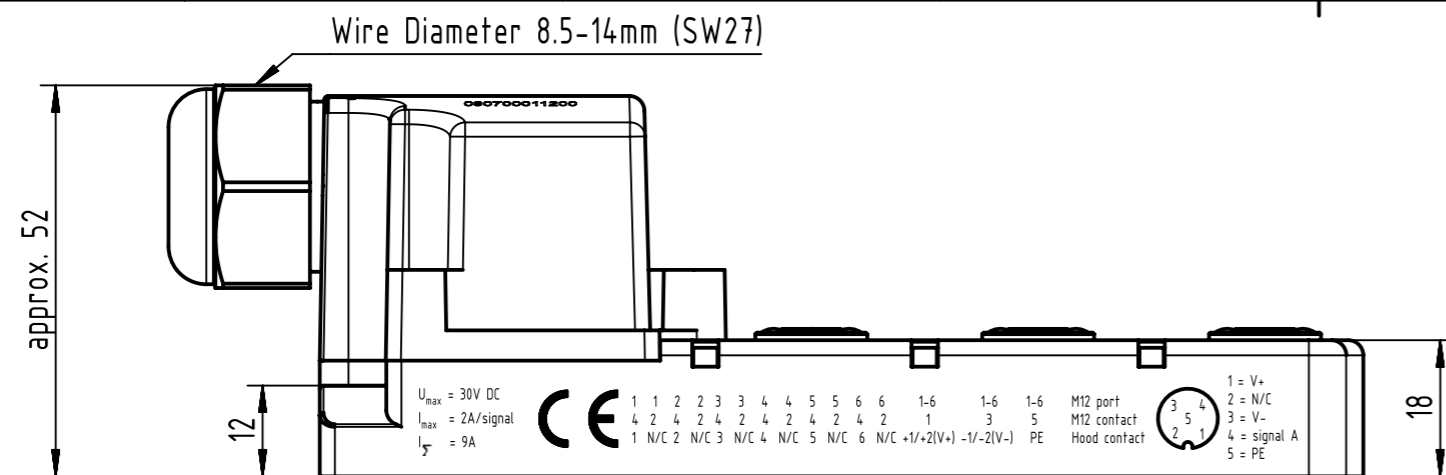


Loading plan



- Protection level: IP67
- Temperature range: -25°C ... +85°C



	All rights reserved	Created by COSTEA Costea	Inspected by 402676 Gross	Standardisation MUNTEANV Muntean	Date 2020-04-15	State Final Release
	Department HCS - RO	Title har-SAB M12/6/4p PC		Doc-Key / ECM-Nr. 100831615/UGD/000/C 500000171204		
HARTING Customised Solutions D-32339 Espelkamp		Type TB	Number 090700011200		Rev. C	Page 1/1