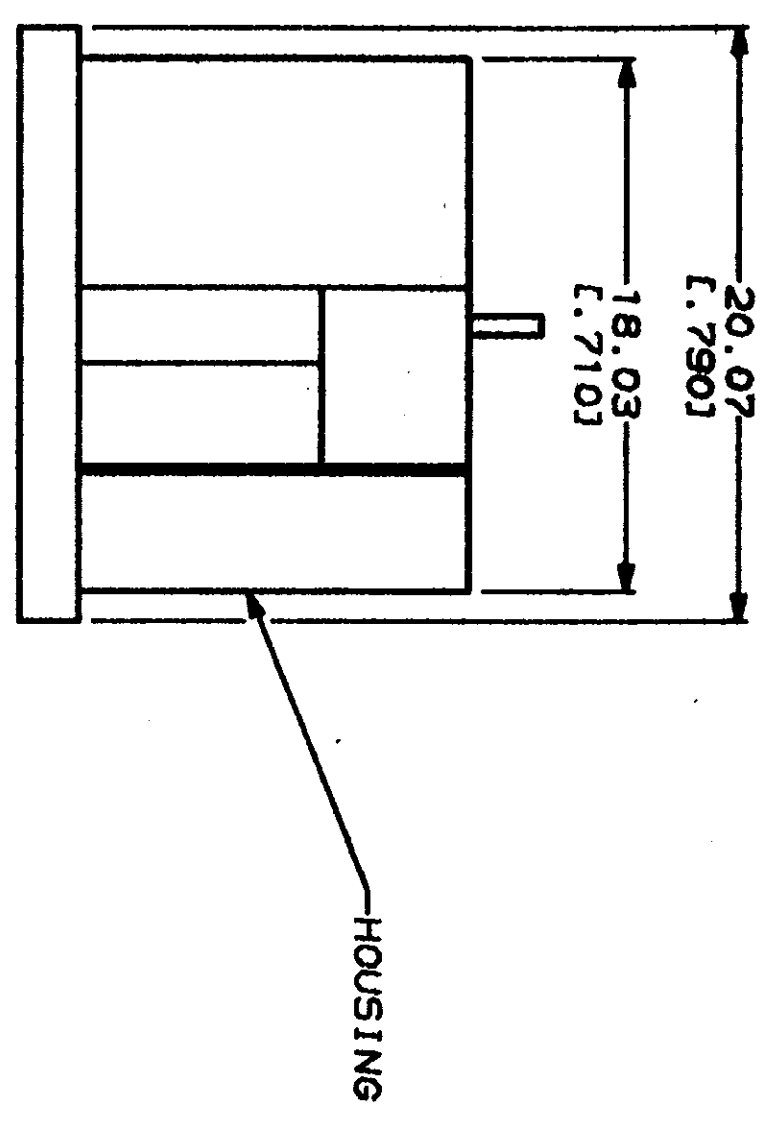
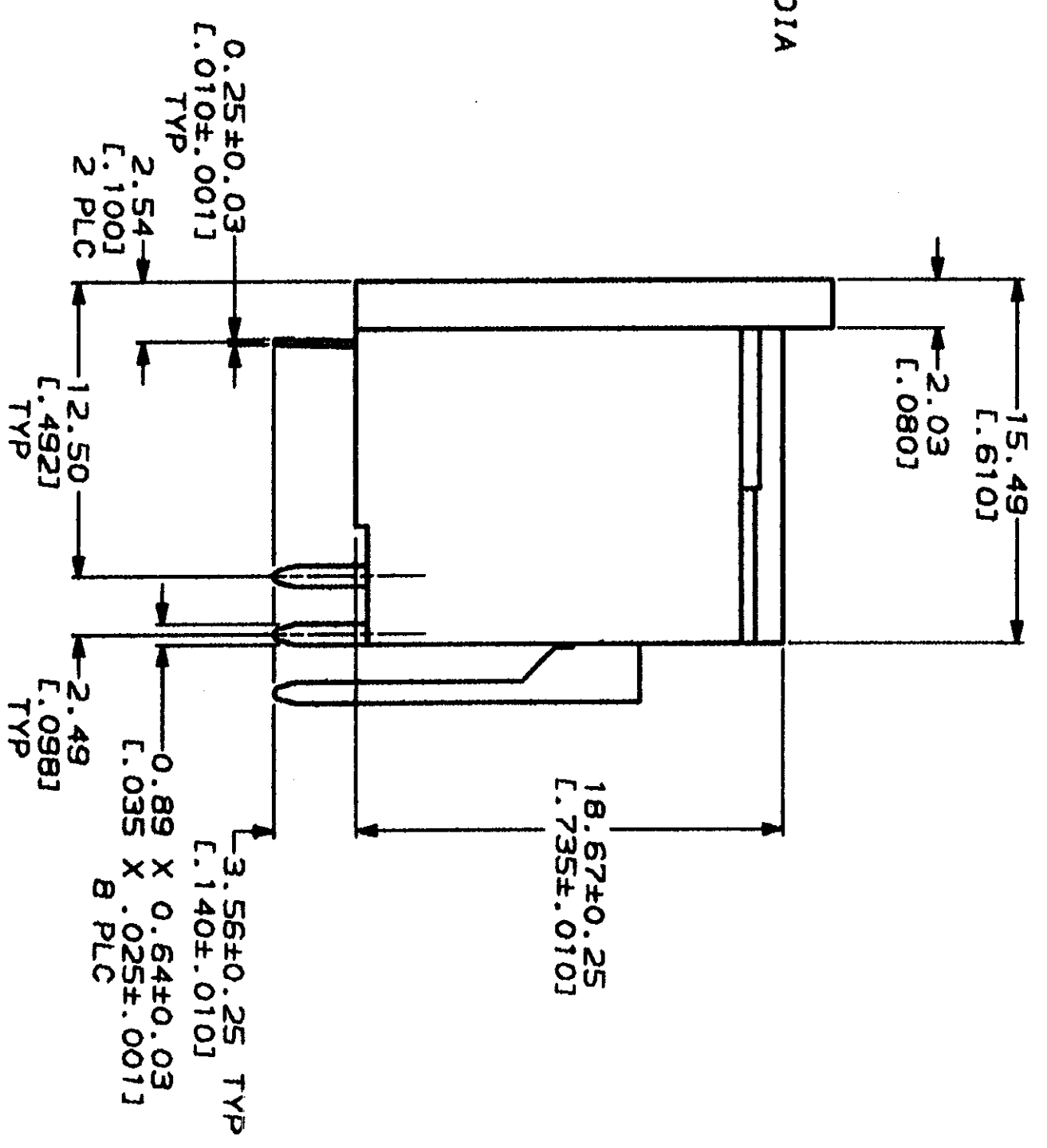
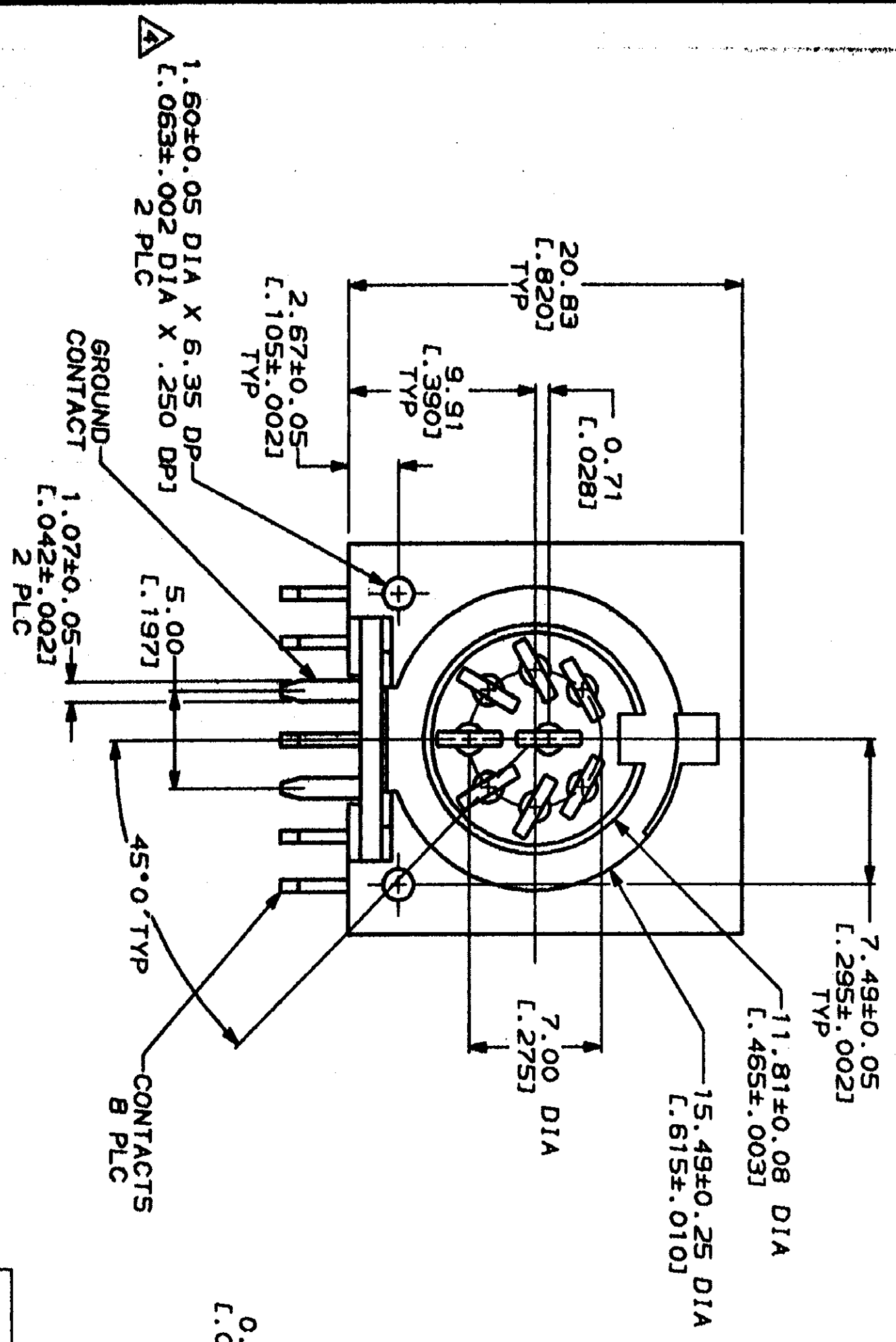


REV	DATE	BY	APP'D	DESCRIPTION
1	11-26-91	J. Miller		REVISION
2				
3				
4				
5				
6				



- 1 NYLON, UL 94V-0 RATED, BLACK.
- 2 2.54µm [0.000100] MIN TIN-LEAD OVER 1.27µm [0.000050] MIN NICKEL.
- 3 TIN PLATING PER MIL-T-10727, NICKEL PLATING PER QQ-N-290.
- 4 ACCEPTS #2 SELF-TAPPING SCREW, .250 LONG REF.
- 5 MATES WITH 8 POSITION SHIELDED DIN PLUG 212437-4.
- 6 BRASS PER ASTM B36.



PART NUMBER
211511-1

DO NOT SCALE PRINT. UNLESS SPECIFIED DIMENSIONS IN MM (INCHES) TOLERANCES ON:		DR B/12/91	NAME
1 PLG DEC ±0.13(0.005)	2 PLG DEC ±0.13(0.005)	A. STAUB BS	AWP
3 PLG DEC ±0.30	ANGLES		Harrisburg, PA 17105-3608
MATERIAL		CHK <i>J. Miller</i>	DATE 11-26-91
HOUSING, CONTACTS, GROUND CONTACT		APPR <i>J. Miller</i>	DATE 11-26-91
FINISH, CONTACTS, GROUND CONTACT		PRODUCT SPEC	108-10047
APPLICATION SPEC		114-40025	SCALE 4:1
WEIGHT		SIZE	CAGE CODE
		C	00779
		DRAWING NO	211511
		SHEET	1 OF 1

RECEPTACLE ASSY, RIGHT ANGLE, 8 POSITION, CIRCULAR DIN