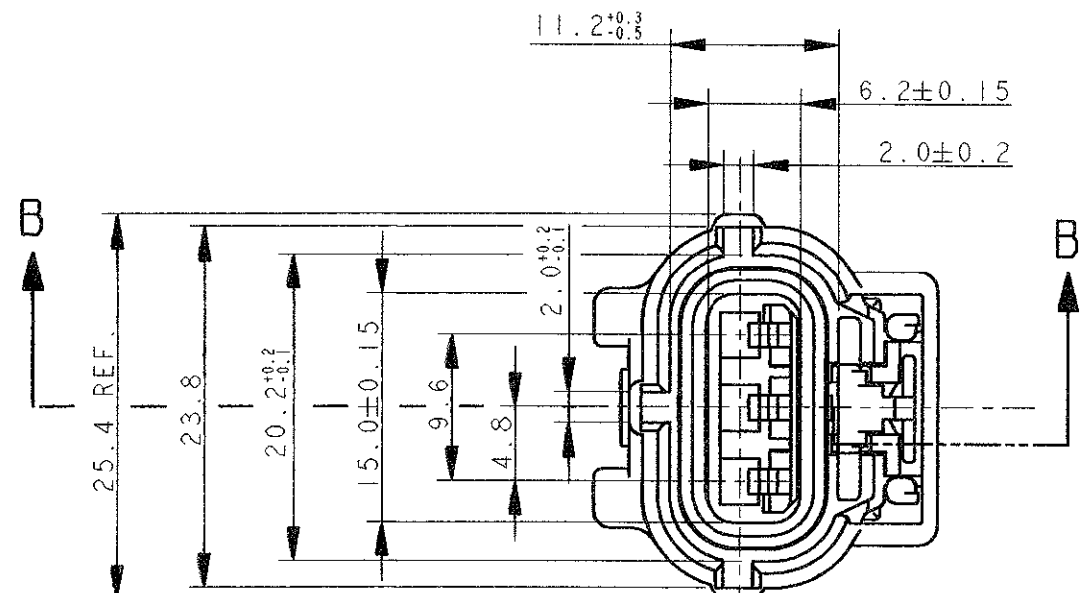
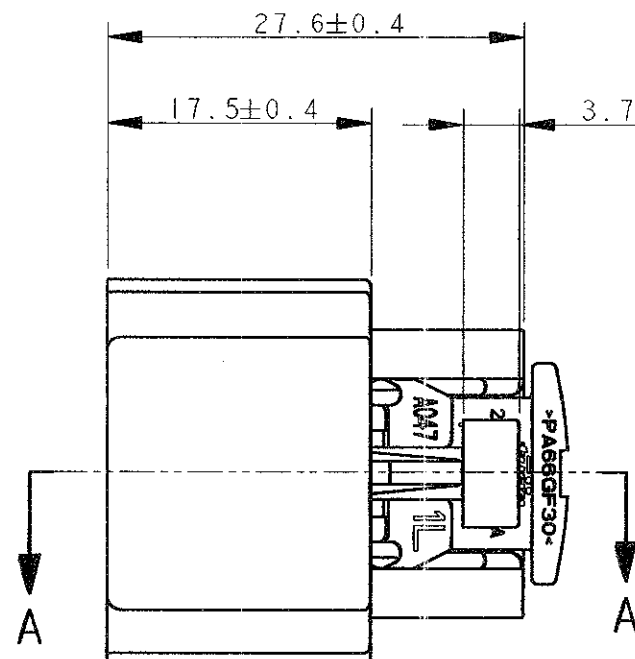
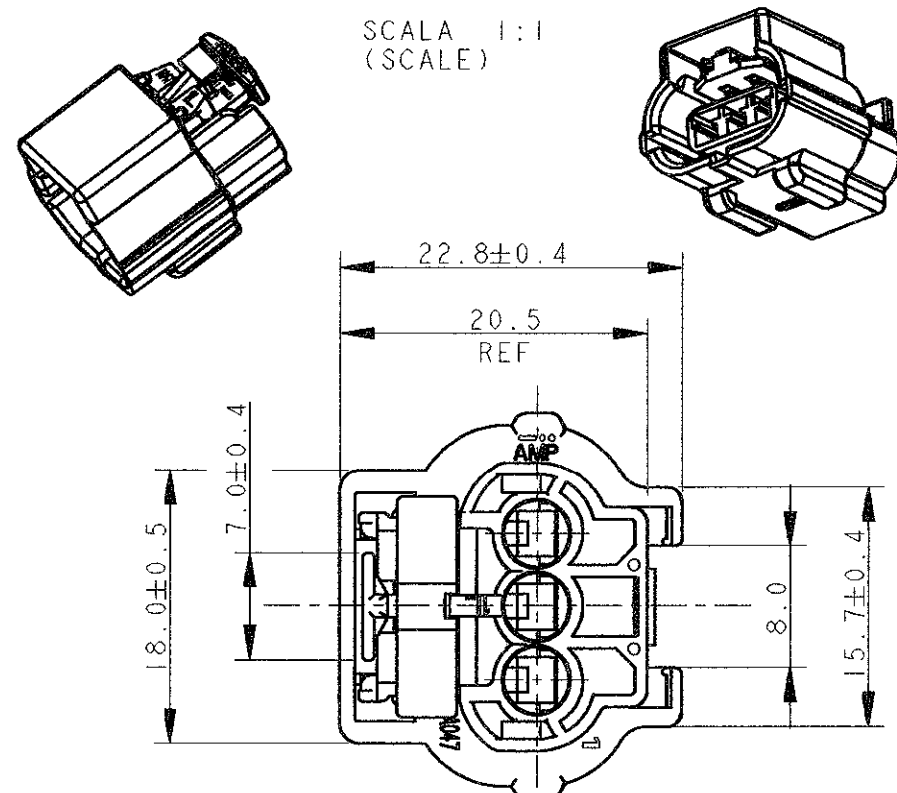
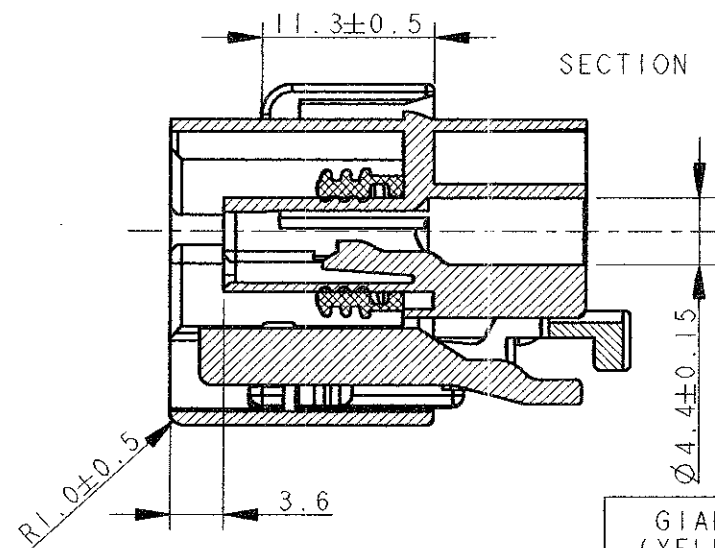
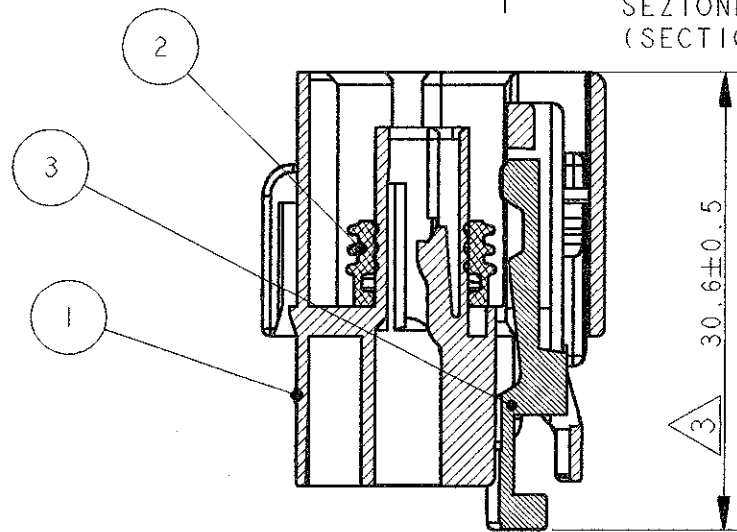


LOC	DIST	REVISIONS					
		P	LTR	DESCRIPTION	DATE	DWN	APVD
AI	-	CI		REVISED FOR ET00-0015-02	07 FEB 02	M.P.	R.M.

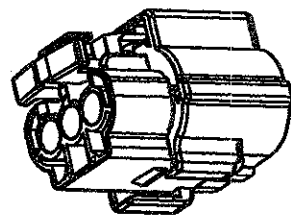
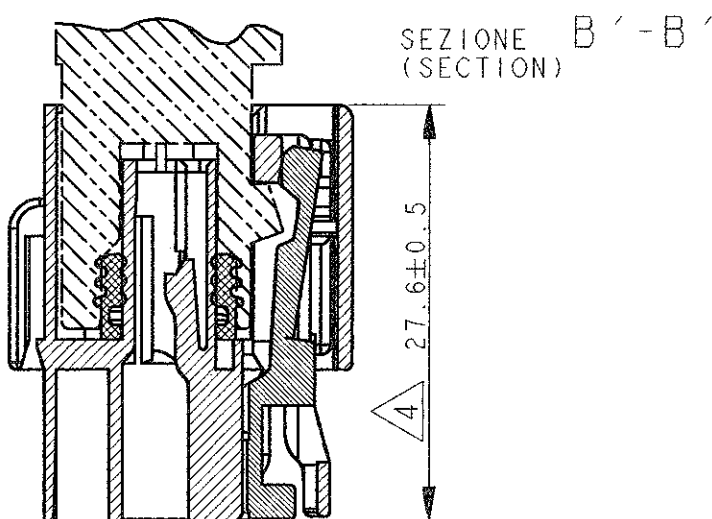


SEZIONE B-B (SECTION)

SECTION A-A



- 1) QUESTO PARTICOLARE VA USATO CON IL DISPOSITIVO DI AGGANCIAMENTO SECONDARIO TYCO P/N 282706-1 (THIS PART MUST BE USED WITH DOUBLE LOCK PLATE TYCO P/N 282706-1)
- 2) PER IL DISEGNO DELLA CONTROPARTE VEDI FOGLIO 2 DI 2 (FOR COUNTERPART DETAIL SEE SHEET 2 OF 2)
- 3 C.P.A. IN POSIZIONE PRE-ASSEMBLATA (C.P.A. PRE-ASSEMBLED POSITION)
- 4 C.P.A. IN POSIZIONE CHIUSA, QUANDO IL CONNETTORE E' CORRETTAMENTE ACCOPPIATO CON LA CONTROPARTE (C.P.A. IN CLOSED POSITION, WHEN THE CONNECTOR IS PROPERLY MATED WITH THE COUNTERPART)



SCALA 1:1 (SCALE)

COLORE (COLOUR)	MATERIALE (MATERIAL)	DESCRIZIONE (DESCRIPTION)	COMPONENTE No (ITEM No)	NUMERO (PART NUMBER)
GIALLO (YELLOW)	PA 6.6 CAR. VETRO (PA 6.6 GF)	C.P.A.	3	282703-1
GIALLO (YELLOW)	GOMMA SILICONICA (SILICONE RUBBER)	GUARNIZIONE (SEAL RING)	2	
NERO (BLACK)	PBT NATURALE (PBT UNFILLED)	BLOCCHETTO (HOUSING)	1	

<small>THIS DRAWING IS A CONTROLLED DOCUMENT FOR TYCO ELECTRONICS CORPORATION IT IS SUBJECT TO CHANGE AND THE CONTROLLING ENGINEERING ORGANIZATION SHOULD BE CONTACTED FOR THE LATEST REVISION.</small>		DWN A. BAJ 12SEP1995 CHK C. TARTARI 12SEP1995 APVD - PRODUCT SPEC - APPLICATION SPEC - WEIGHT -	<b>tyco Electronics</b> tyco Electronics AMP Italia S.p.A. C.so F.lli Cervi, 15 - Collegno (TO)
DIMENSIONS: mm 	TOLERANCES UNLESS OTHERWISE SPECIFIED: 0 PLC ±0.3 1 PLC ±0.3 2 PLC ±0.3 3 PLC ± 4 PLC ± ANGLES ±2° FINISH ---	NAME: 3 POS. ECONOSEAL J-MKII+ CONN. PLUG ASS'Y SIZE: A3 CAGE CODE: 00779 DRAWING NO: C=282703	RESTRICTED TO: - SCALE: 2:1 SHEET: 1 OF 2 REV: CI
MATERIAL: VEDERE TABELLA (SEE TABLE)		CUSTOMER DRAWING	

