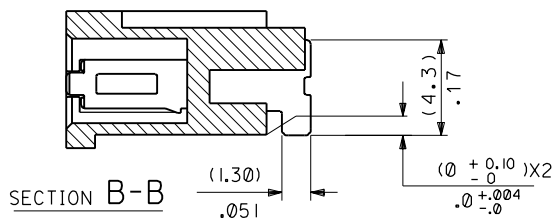
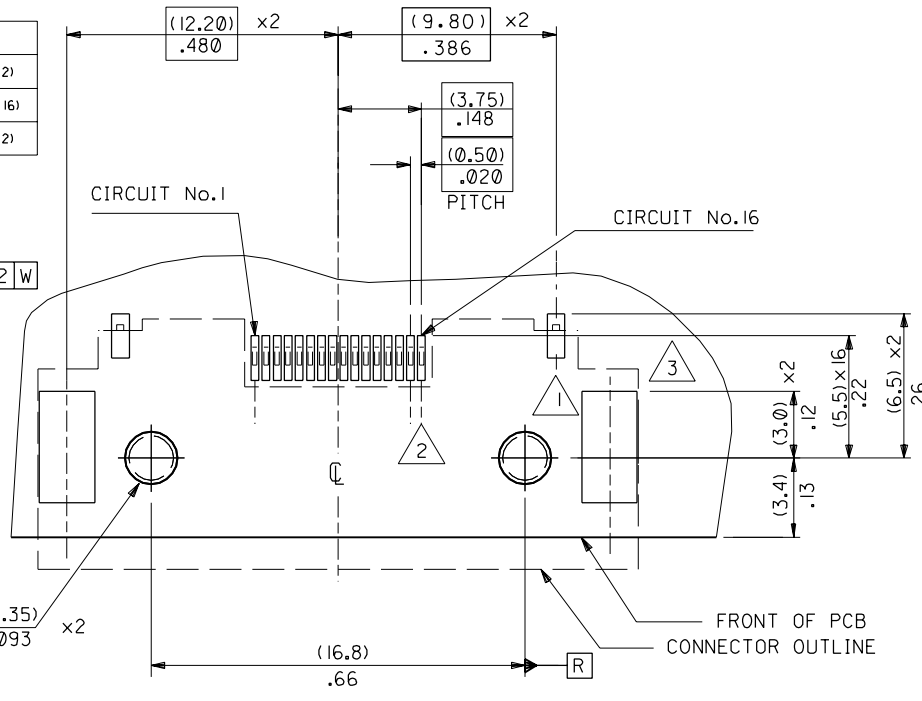
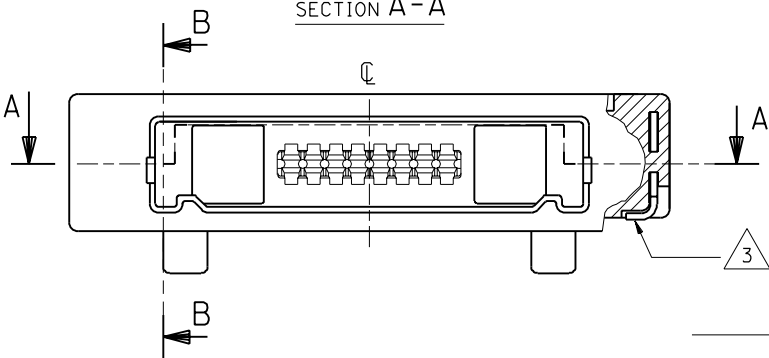
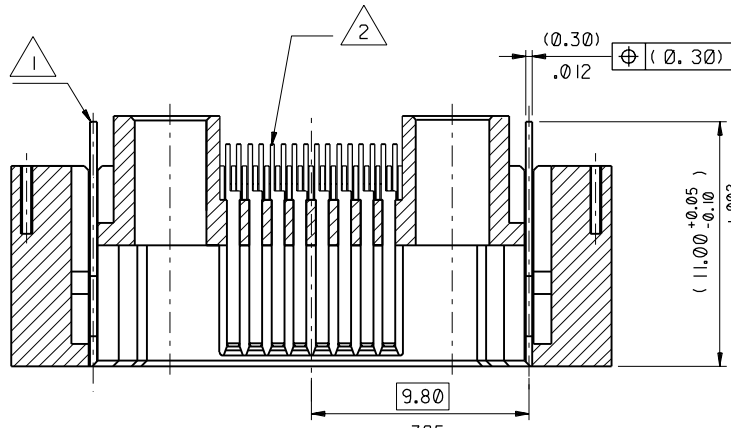


PART NO. **90811-0113**
 DWG. NO. **90811-0113**
SDA-90811-0113

COMPONENT	PCB PAD DIMENSION	QTY
LOCKING LATCHES	(0.80)/.031 x (2.0)/.079	\varnothing (0.10) / .004 R (x2)
SIGNAL CONTACTS	(0.35 ± 0.05) / .014 ± 0.002 x (2.0) / .08	\varnothing (0.10) / .004 R (x16)
SMT RETENTION PADS	(2.50) / .098 x (5.0) / .197	\varnothing (0.10) / .004 R (x2)



NOTES:
 1. FOR MISSING DIMENSIONS SEE DRAWING SDA-90811-0109

FOR PREVIOUS
 DRAWING ISSUES
 SEE MRI.

ORIGINAL RELEASE ECN E70749 97-06-06 HL	DIMENSIONS SHOWN (METRIC) INCH UNLESS OTHERWISE SPECIFIED TOLERANCES: ANGULAR ± 1/2°	DRWG BY HL
LTR REVISIONS	INCH (METRIC)	CHK'D BY
A	3 PLACE ± .002	APP'D BY
	2 PLACE ± .004 ± .05	SCALE
	1 PLACE ± .10	5:1
	DRAFT WHERE APPLICABLE MUST REMAIN WITHIN DIMENSIONS	
	DESIGN DIMENSION (PRIMARY) <input checked="" type="checkbox"/> (MM) <input type="checkbox"/> IN.	
	EQUIVALENT DIMENSION (SECONDARY) <input type="checkbox"/> (MM) <input checked="" type="checkbox"/> IN.	

REVISE ONLY ON CAD SYSTEM		SHL REV.
CAD/CAM FILENAME S908103 DGN	THIS DRAWING CONTAINS INFORMATION THAT IS PROPRIETARY TO MOLEX INC. & SHOULD NOT BE USED WITHOUT WRITTEN PERMISSION	
TITLE I/O CONNECTOR FOR MOBILE PHONE		
MOLEX EUROPE		SHEET NO. DATE 10F1 97/06/06
PART NO. 90811-0113	DWG NO. SDA-90811-0113	SIZE B