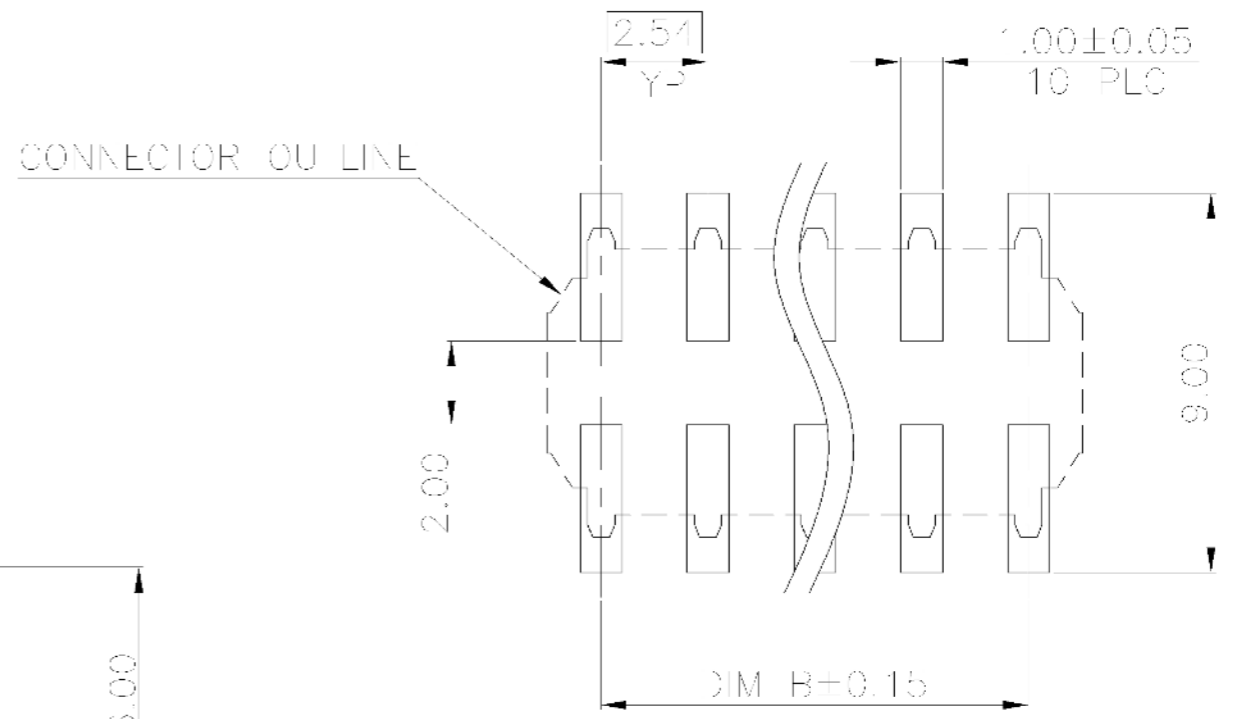
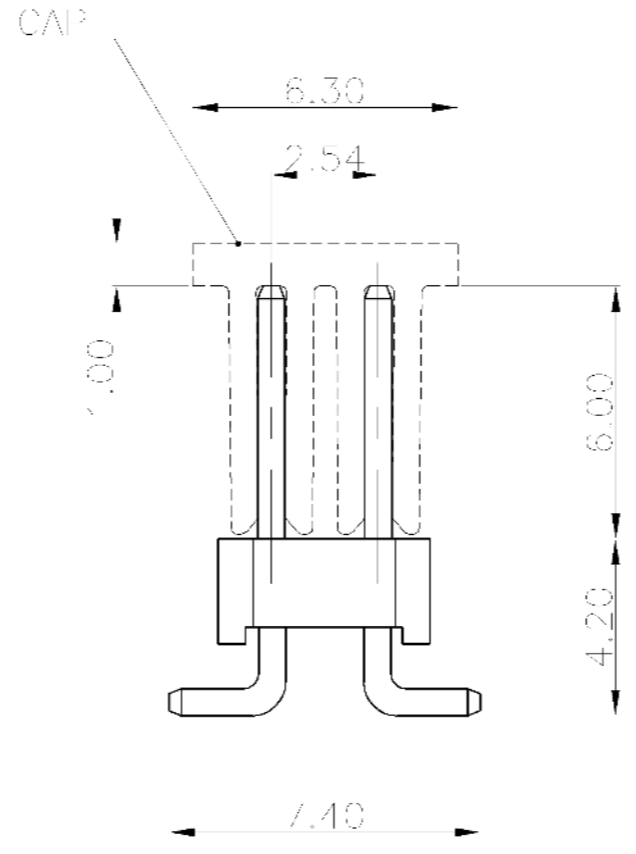
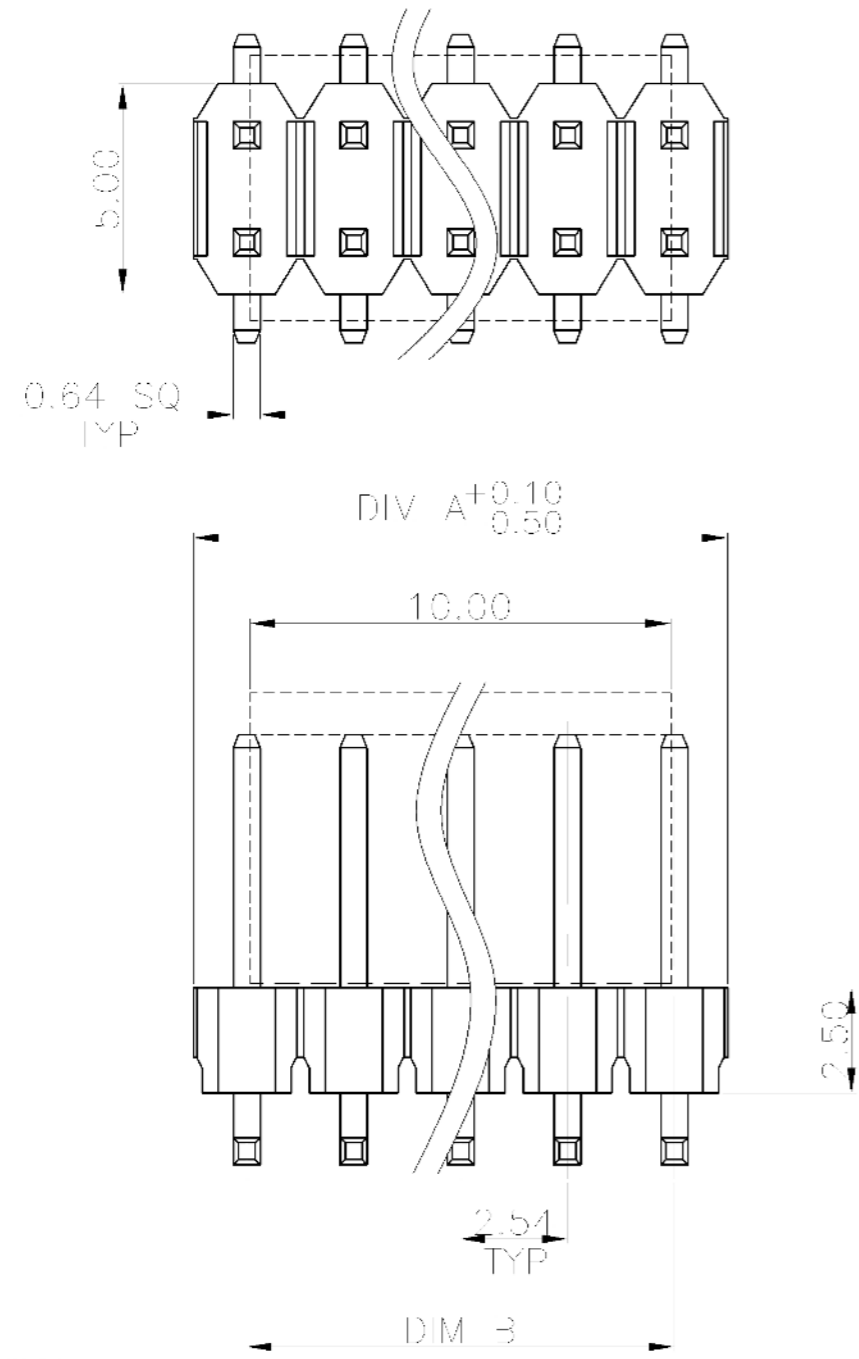


THIS INFORMATION IS CONFIDENTIAL AND IS DISCLOSED TO YOU ON CONDITION THAT NO FURTHER DISCLOSURE IS MADE BY YOU TO OTHER THAN AMP PERSONNEL WITHOUT WRITTEN AUTHORIZATION FROM AMP (TAIWAN) LTD. DIMENSIONS IN MILLIMETERS. DO NOT SCALE PRINT.

NUMBER C-1775448
METRIC
3RD ANGLE PROJECTION



RECOMMENDED P.C.B LAYOUT

$\frac{1}{2}$ 0.10
ALL SOLDER AREAS

NOTE:

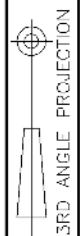
- MATERIAL:
HOUSING: NYLON 6T WITH 33% GF, UL 94V-0, BLACK COLOR.
CAP: NYLON 6T WITH 40% GF, UL 94V-0, BLACK COLOR.
POSTS: BRASS.
- FINISH:
POSTS: GOLD FLASH OVER $1.27\mu\text{m}$ [$50\mu''$] MIN. NICKEL ON ENTIRE POST.
- REFLOW SOLDER CAPABLE TO 260°C AS PER TYCO SPEC. 109-201, CONDITION B.
- NO TYCO LOGO AND DATE CODE ON THE PRODUCT.

1.13	15.24	17.78	14	1775448-2
0.94	10.16	12.70	10	1775448-1
WEIGHT (GRAMS)	B	A	NO. OF POSITIONS	PART NUMBER
DIMENSIONS				

TOLERANCES UNLESS OTHERWISE SPECIFIED: 0 PLC ±- 1 PLC ±0.3 2 PLC ±0.25 3 PLC ±0.2 ANGLES ±3'	DWN FRANK FAN 27DEC2019	 TYCO HOLDINGS (BERMUDA) VII LTD. TAIWAN BRANCH
MATERIAL SEE NOTE	CHK GEORGE FU 27DEC2019	
FINISH SEE NOTE	APVD MING SHI 27DEC2019	PIN HEADER, PITCH 2.54mm, VERTICAL, SMT TYPE.
	PRODUCT SPEC 108-57576	
	QUALIFICATION TEST REPORT 501-57667	LOC DW A ₃
	WEIGHT SEE TABLE	DRAWING NO C-1775448
		REV B
		SCALE --
		SHEET 1 OF 2

B	ECR-19-013645	--	FF MS	27DEC 2019
A	FIRST RELEASED	--	AW SH	19JUN 2006
LTR	REVISION RECORD	ECN	DWN CHK	DATE

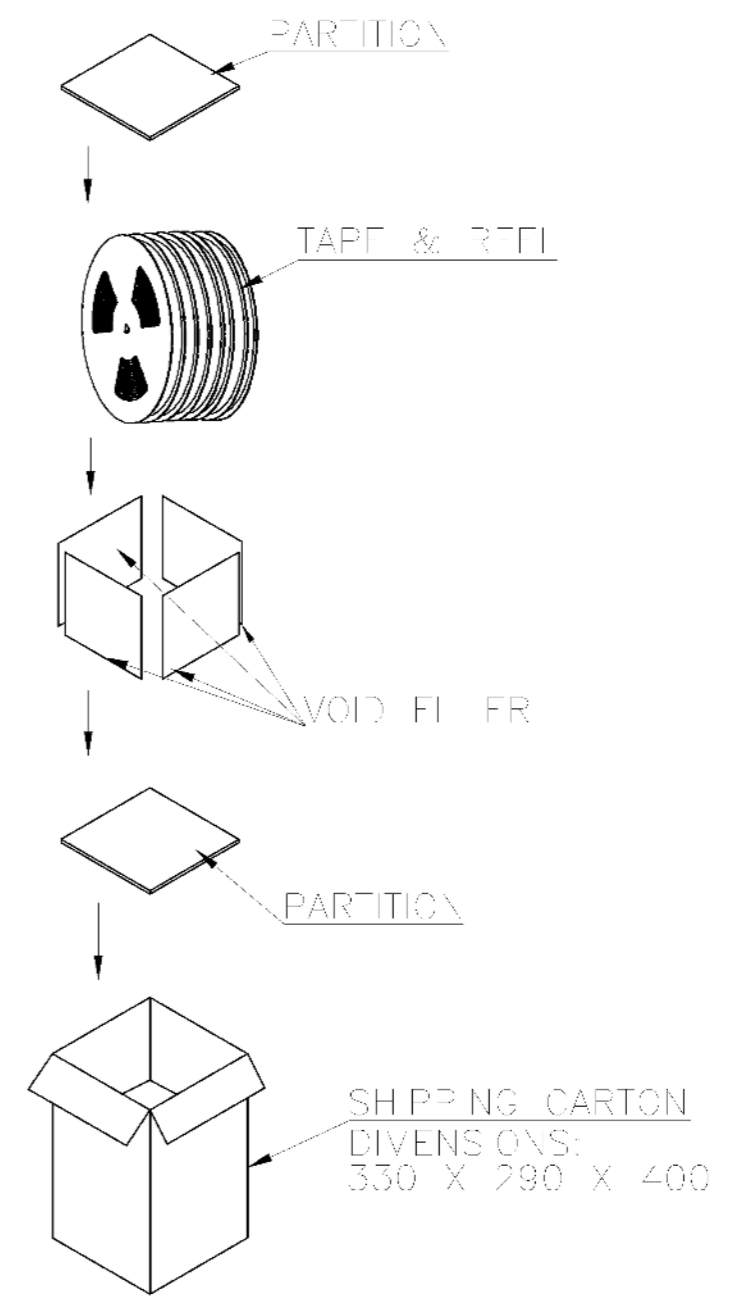
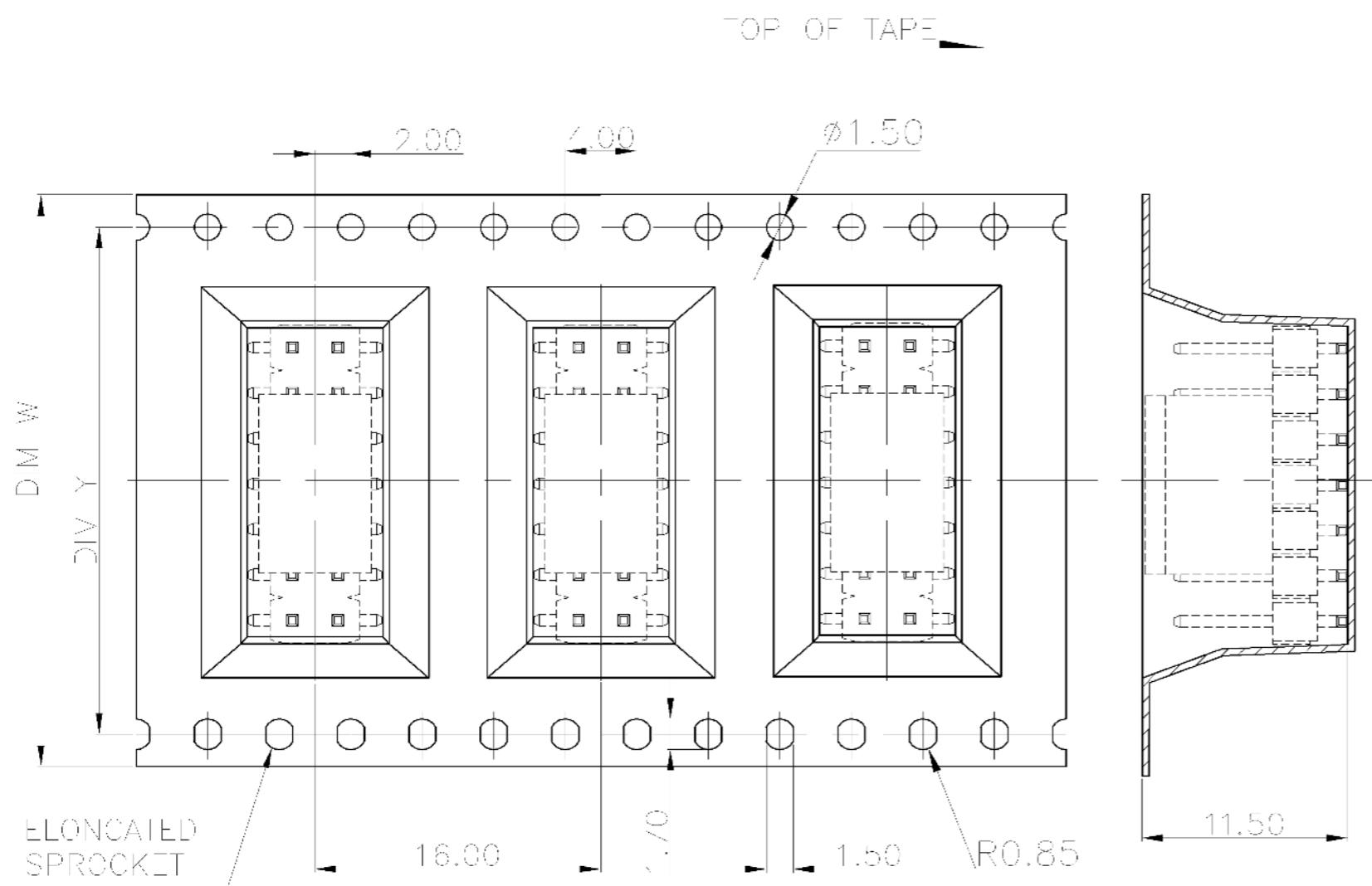
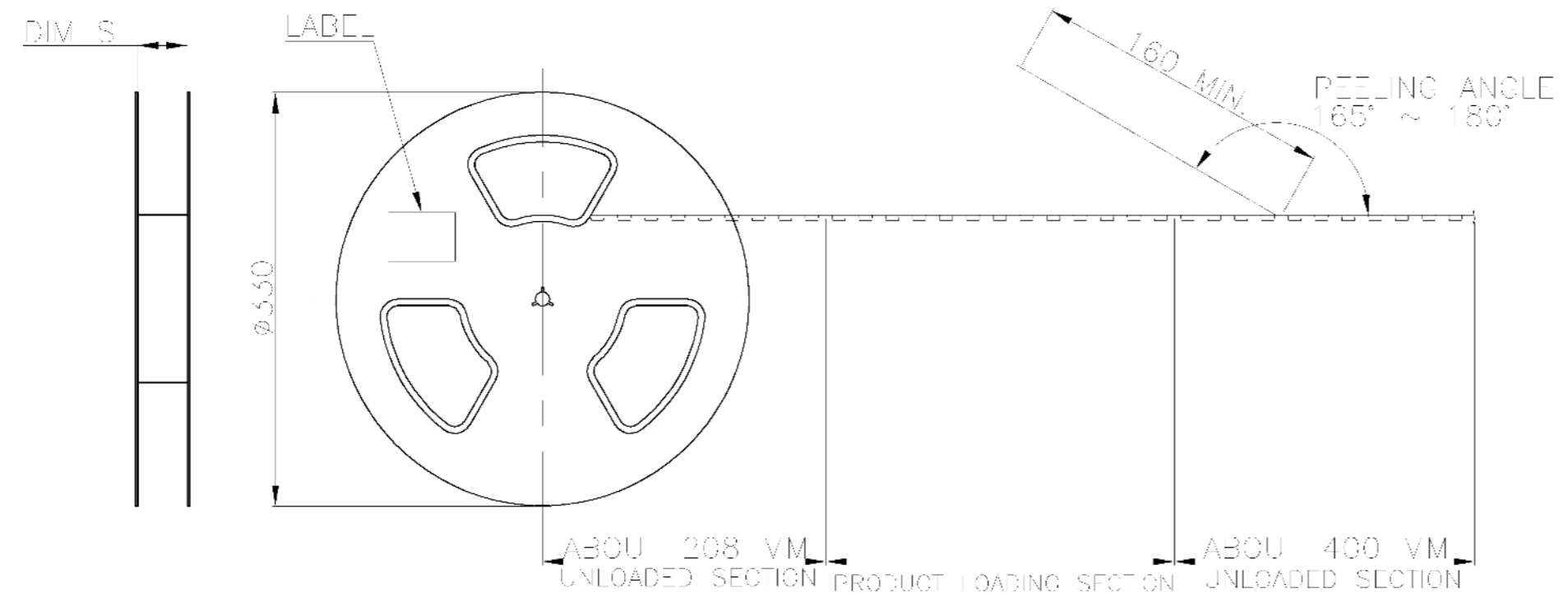
NUMBER
C-1775448



METRIC

THIS INFORMATION IS CONFIDENTIAL AND IS DISCLOSED TO YOU ON CONDITION THAT NO FURTHER DISCLOSURE IS MADE BY YOU TO OTHER THAN AMP PERSONNEL WITHOUT WRITTEN AUTHORIZATION FROM AMP (TAIWAN) LTD. DIMENSIONS IN MILLIMETERS. DO NOT SCALE PRINT.

PRINT DIST DW



2100	300	7	5.38	1.53	32.4	28.4	32	14
2100	300	7	4.90	1.13	24.5	N/A	24	10
QUANTITY	PCS/TAPE	REELS/CARTON	G/W (KGS)	N/W (KGS)	DIM S	DIM Y	DIM W	NO. OF POSITIONS

TOLERANCES UNLESS OTHERWISE SPECIFIED: 0 PLC ± 1 PLC ± 2 PLC ± 3 PLC ± ANGLES ±	DWN FRANK FAN 27DEC2019	tyco TYCO HOLDINGS (BERMUDA) Electronics VII LTD. TAIWAN BRANCH
MATERIAL	CHK GEORGE FU 27DEC2019	
FINISH	APVD MING SHI 27DEC2019	PIN HEADER, PITCH 2.54mm, VERTICAL, SMT TYPE.
QUALIFICATION TEST REPORT	LOC DW	SIZE A ₃
WEIGHT	SCALE	DRAWING NO C-1775448
SEE SHEET 1	REVISION RECORD	ECN
DWN	CHK	DATE
SHEET		2 OF 2

LTR	REVISION RECORD	ECN	DWN	CHK	DATE
-----	-----------------	-----	-----	-----	------

CUSTOMER DRAWING