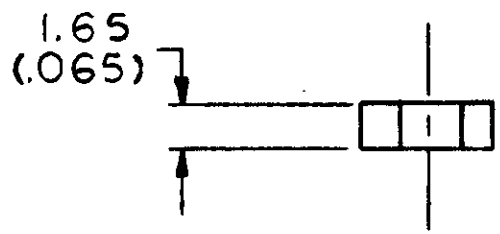
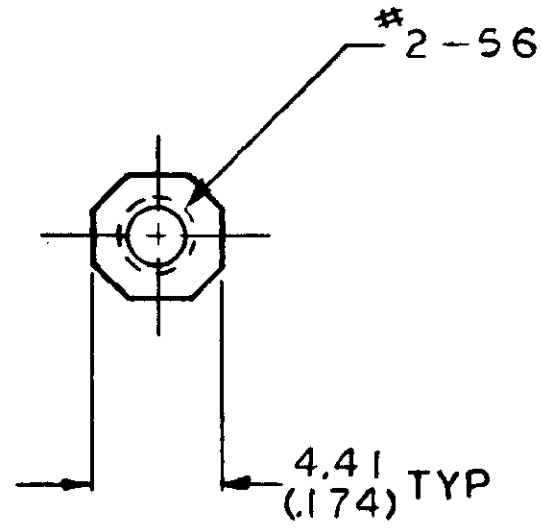


REVISIONS					
P	F	LTR	DESCRIPTION	DATE	APPROVED
✓			0 RELEASED	12/6/84	RKS

 MATERIAL: STAINLESS STEEL
 FINISH: PASSIVATE



METRIC

532939 - 1 IS AS SHOWN

THIS DRAWING IS UNPUBLISHED. RELEASED FOR PUBLICATION
 © COPYRIGHT 19 BY AMP INCORPORATED, HARRISBURG, PA. ALL INTERNATIONAL RIGHTS RESERVED. AMP PRODUCTS MAY BE COVERED BY U.S. AND FOREIGN PATENTS AND/OR PATENTS PENDING.

PART NO

UNLESS OTHERWISE SPECIFIED DIMENSIONS ARE IN INCHES. TOLERANCES ON: DECIMALS ± 0.13 (.005) ANGLES ±	CONTRACT NO	AMP AMP INCORPORATED Harrisburg, Pa. 17105	
	DR <i>Rich Seifried</i> 12-7-84 CHG <i>D.C. Fubendall</i> 12-7-84 APPD <i>D.C. Fubendall</i> 12-7-84		
MATERIAL		OCTAGONAL NUT	
FINISH	DSGN APPD	SIZE A	FSCM NO 00779
	OTHER APPD	DRAWING NO 532939	
		SCALE 4:1	SHEET 1 OF 1