

Technical Data:

Number of positions	5 + PE
Number of contacts	6
Contact Ø [mm]	2
Nominal current [A]	18
Nominal voltage [V~]	600
Degree of pollution 3	
Test voltage [V~]	1700
Max. contact resistance [mΩ]	3
Insulation resistance [MΩ]	>100
Protection	IP67 (connected)
Temperature range (fixed)	-40°C to 90°C
Temperature range (flex)	-25°C to 80°C

Further details see Product Specification 1204800050
The cordsets delivered packed into carton without PE-bag

Wiring Diagram
Connection: IN-LINE

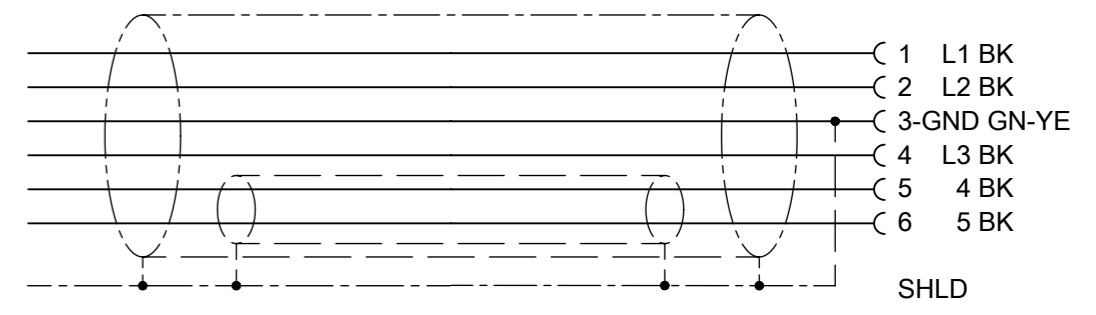


TABLE 1

MOLEX PN	L [mm]	Tol. [mm]
1204800677	1000	+40
1204800678	2000	+60
1204800679	3000	+60
1204800680	4000	+60
1204800681	5000	+60
1204800682	10000	+80
1204800683	15000	+140
1204800684	20000	+140

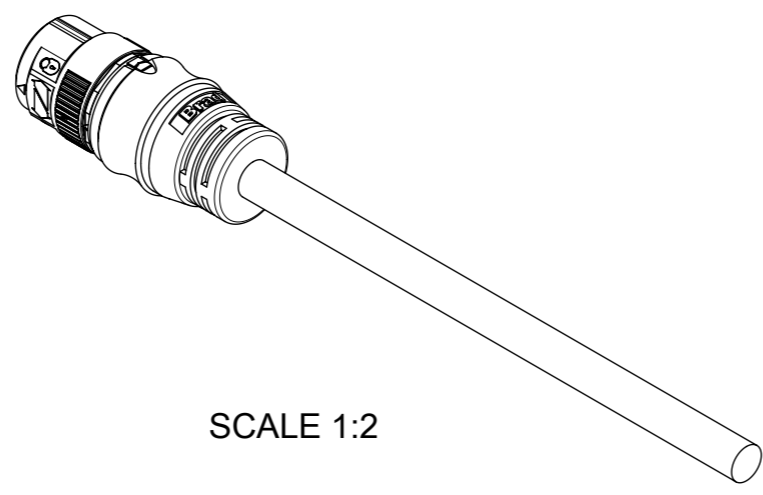


TABLE 2

POS	QTY	DESCRIPTION
1	1	PLG M23QC 5P+PE PC FE STR SHLD
2	1	CABLE 4X1.5+(2X1.5) WSOR OR D11.1 SHLD

SYMBOLS THIS DRAWING CONTAINS INFORMATION THAT IS PROPRIETARY TO MOLEX ELECTRONIC TECHNOLOGIES, LLC AND SHOULD NOT BE USED WITHOUT WRITTEN PERMISSION DIMENSION UNITS: mm SCALE: 1:1 GENERAL TOLERANCES (UNLESS SPECIFIED): ANGULAR TOL ± 1.0° 4 PLACES ± 3 PLACES ± 2 PLACES ± 0.05 1 PLACE ± 0.3 0 PLACES ± 0.5 DRAFT WHERE APPLICABLE MUST REMAIN WITHIN DIMENSIONS THIRD ANGLE PROJECTION	CURRENT REV DESC:						
	EC NO: 625960					2019/10/21	
	DRWN: THAERDT		2019/11/21		CSE M23 6P PC FE STR WSOR XM SHLD		
	CHK'D: RSILLER		2019/11/21		PRODUCT CUSTOMER DRAWING		
APPR: RSILLER		2019/11/21		DOCUMENT NUMBER: 1204800677			
INITIAL REVISION:		2018/06/29		DOC TYPE: PSD			
DRWN: MSCHERER		2019/11/21		DOC PART: 000			
APPR: RSILLER		2019/11/21		REVISION: A			
MATERIAL NUMBER: 120480		SERIES: A3-SIZE		CUSTOMER: GENERAL MARKET			
SEE TABLE 1		120480		SHEET NUMBER: 1 OF 1			