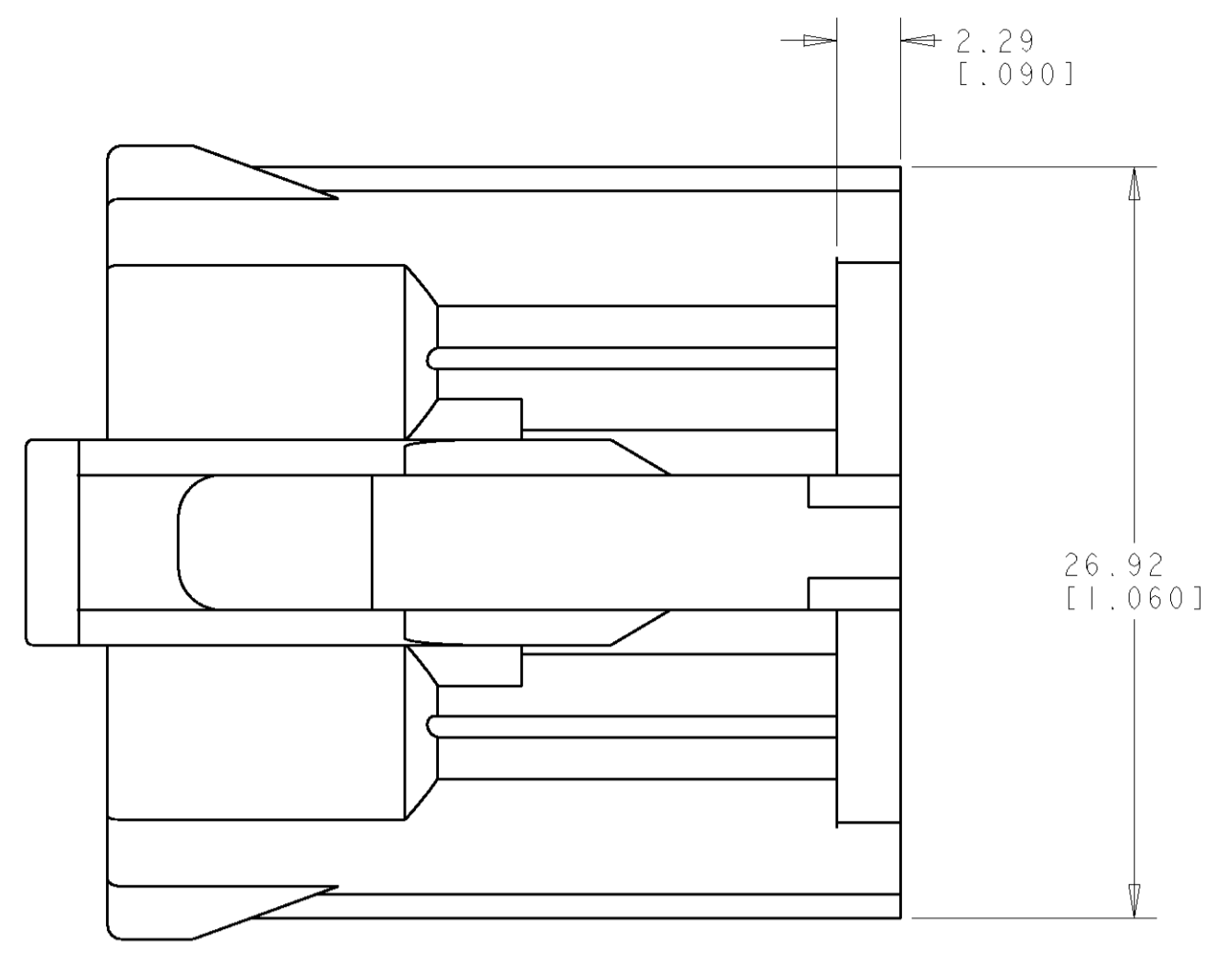
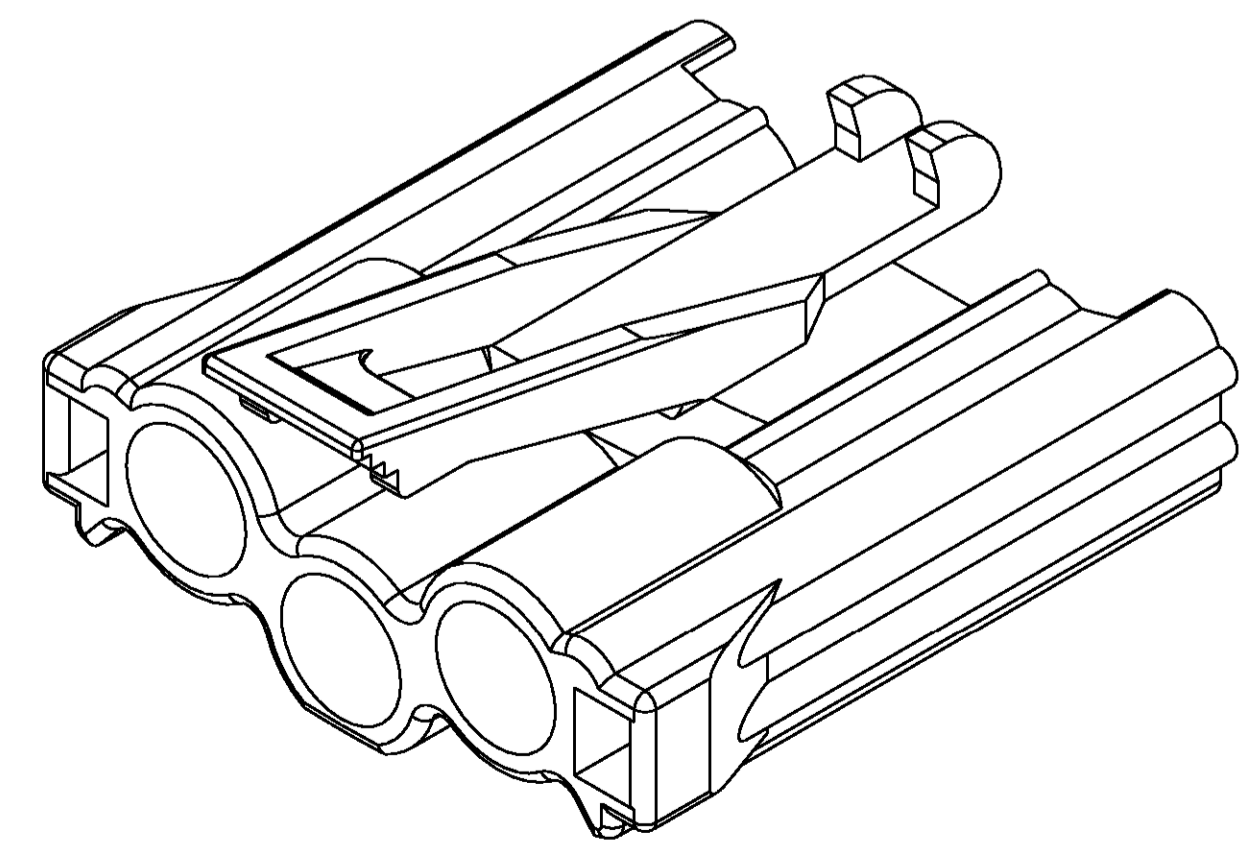
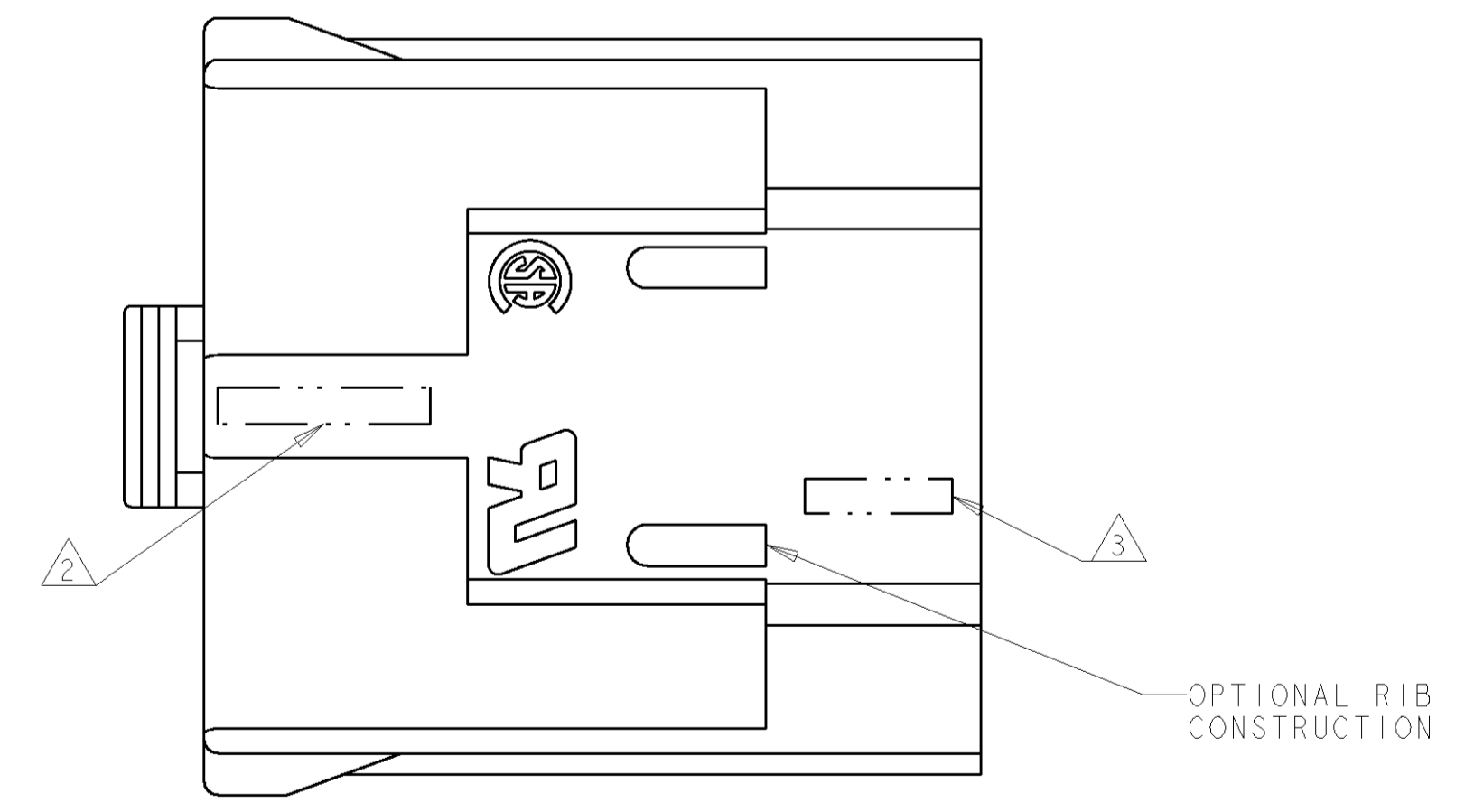
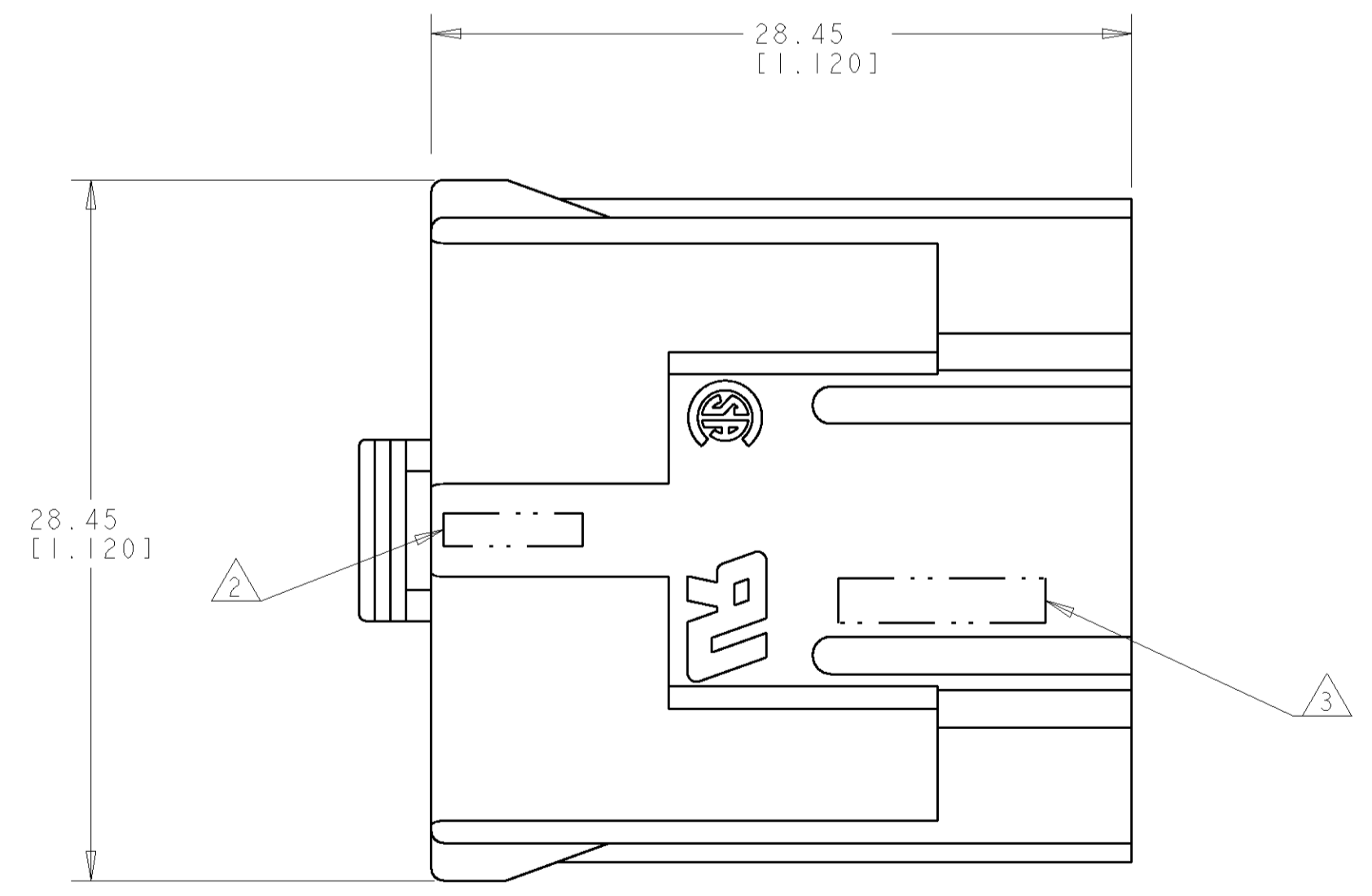
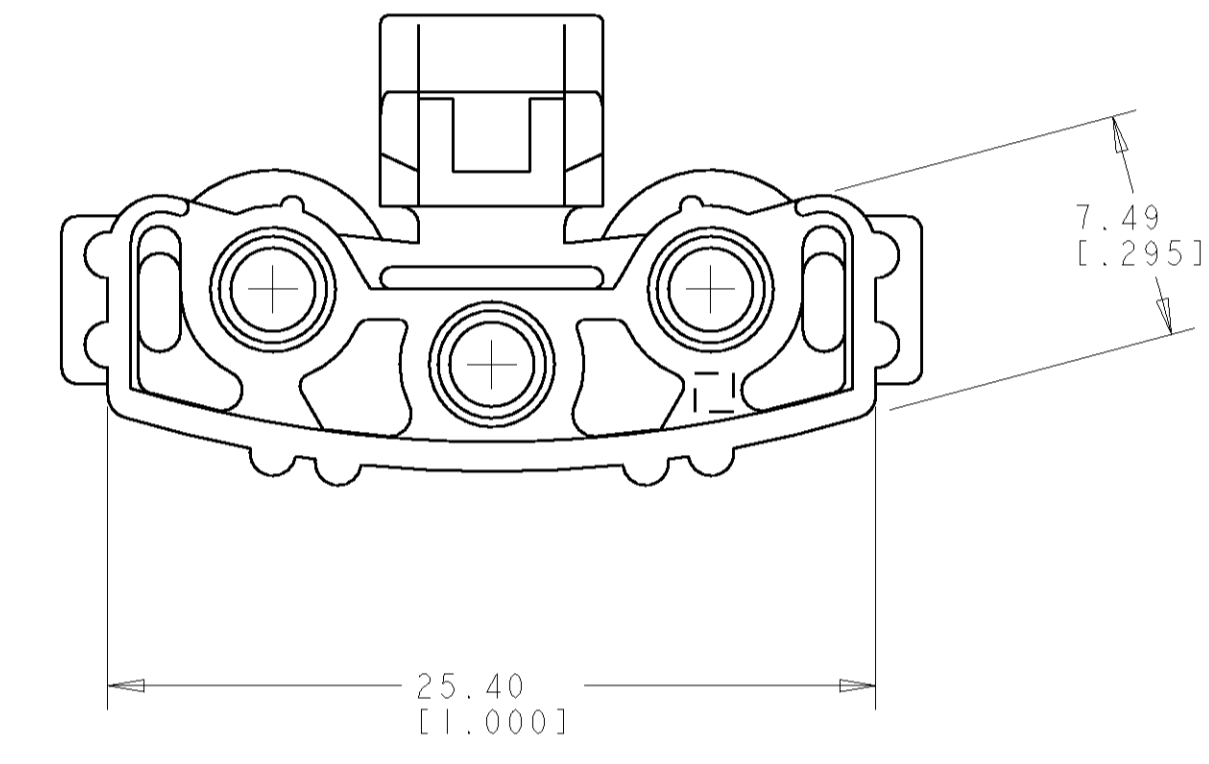
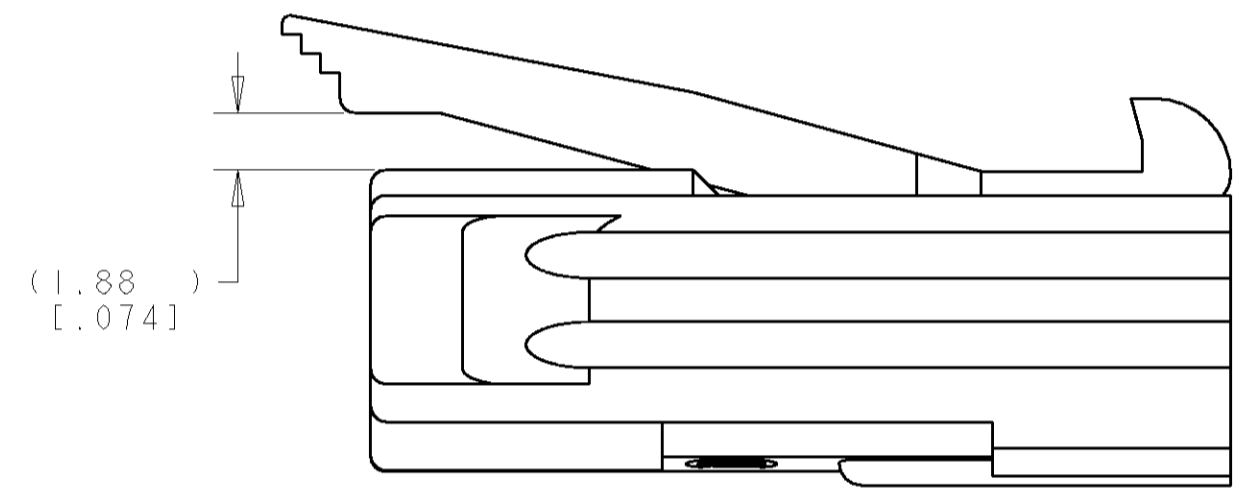
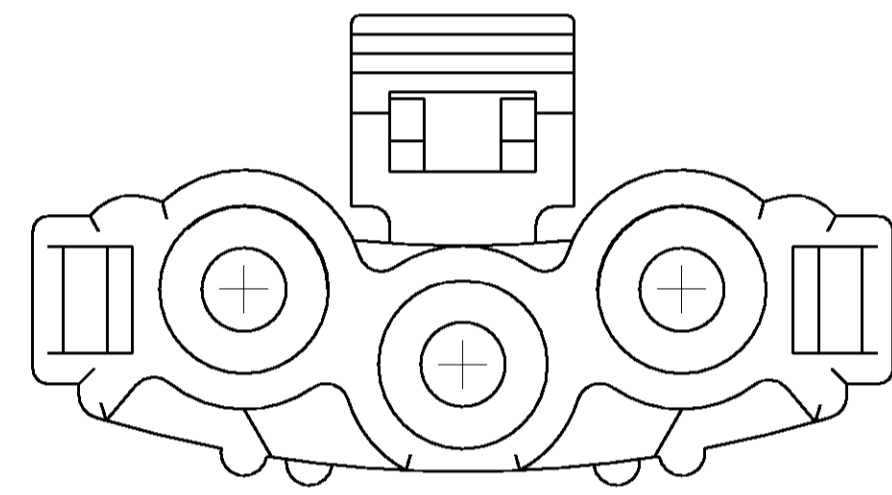


LOC		DIST		REVISIONS			
CM	00	P	LTR	DESCRIPTION	DATE	DWN	APVD
		H		REVISED PER 0638-0996-04	28OCT04	KW	SR



1. THE MATING CONNECTOR MUST BE BASED ON THE DESIGN SPECIFICATIONS ON THIS DRAWING TO ENSURE OPTIMUM MATING CONDITIONS.

- 2 TRADEMARK LOCATION (AMP OR TYCO).
- 3 MANUFACTURING LOCATION ID (OPTIONAL).



770855-1
PART NUMBER

METRIC

<small>THIS DRAWING IS UNPUBLISHED. RELEASED FOR PUBLICATION BY TYCO ELECTRONICS CORPORATION. ALL RIGHTS RESERVED.</small>		DWN: R. WHITAKER 13NOV2003 CHK: S. RIDGILL 13NOV2003 APVD: S. RIDGILL 13NOV2003	tyco Tyco Electronics Harrisburg, PA 17105-3608
DIMENSIONS: mm [INCHES]		TOLERANCES UNLESS OTHERWISE SPECIFIED: 0 PLC ± 1 PLC ± 2 PLC ±0.13 [0.005] 3 PLC ± 4 PLC ± ANGLES ±30°	NAME: HOUSING, 3 POSITION, FAN MOTOR CONNECTOR, UNIVERSAL MATE-N-LOK™ PRODUCT SPEC: APPLICATION SPEC: SIZE: A CAGE CODE: 00779 DRAWING NO: 770855 RESTRICTED TO: H
MATERIAL: NYLON, UL94V-2 NATURAL		FINISH:	WEIGHT: - CUSTOMER DRAWING: