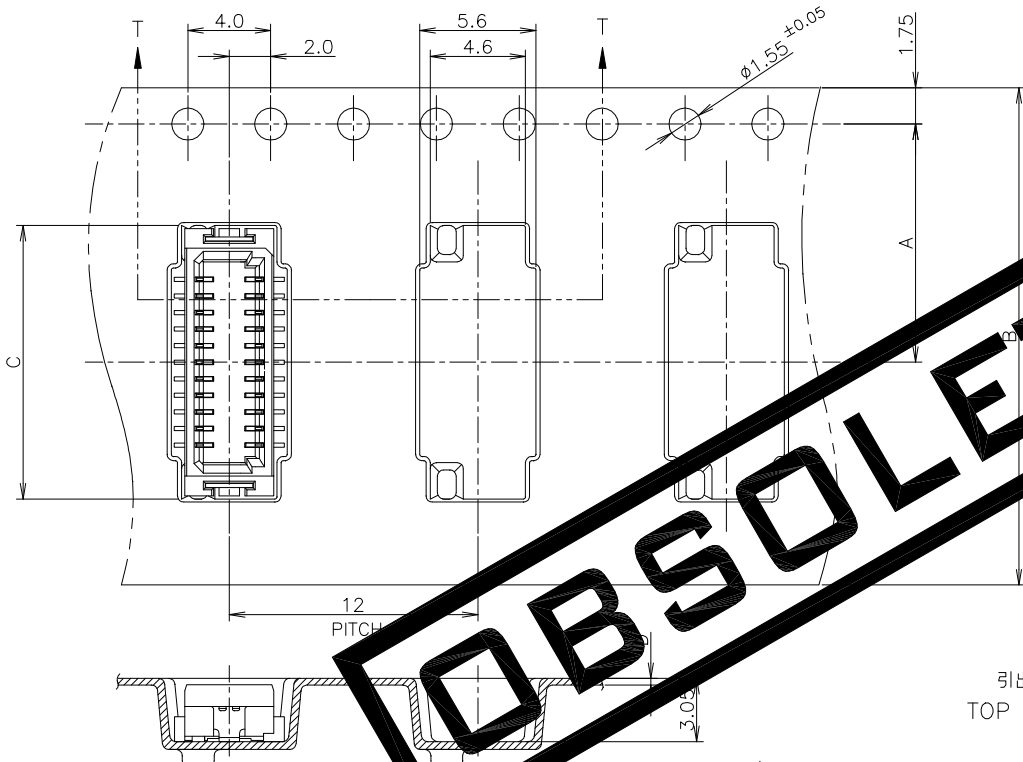


REVISIONS				
P	LTR	DESCRIPTION	DATE	APVD
	A1	OBSOLETE 2-5917407-2 BY ECR-19-020018	2JAN2020	A.L H.L

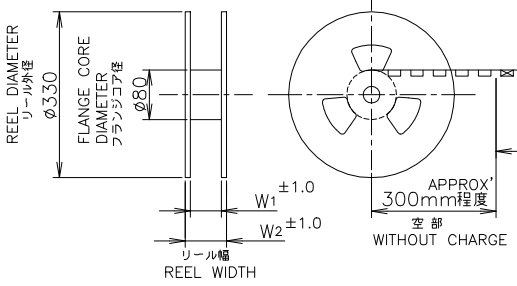


1 - -0: 本図
1 - -0: AS SHOWN

OBSOLETE

引出し方向
TOP OF REEL →

カバーテープ
リーダー部
外周一卷
WEEDING AROUND THE COVER TAPE PERIPHERY IN A TURN.
剥離角度, 165°~180°
PEELING ANGLE.



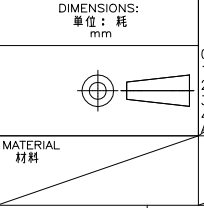
OBSOLETE	22.0	18.0	0.5	8.4	16	7.5	100	10	1	5917407-0	
	W ₂	W ₁	D	C	B	A	数量 (ヶ)	極数	リール巻		
	DIMENSIONS							QTY/REEL	POS	コネクタ型番	TAPING P/N

THIS DRAWING IS A CONTROLLED DOCUMENT.

DWN	M.IWASAKI	27DEC04		TE Connectivity Ltd.
CHK	Y.NAKAZAWA	27DEC04		
APVD	T.KUSUHARA	27DEC04	NAME	名称
PRODUCT SPEC	製品規格		ON TAPING EMBOSS 0.8mm PITCH FINE MATE CONN TAB ASSEMBLY WITH BOSS V-TYPE	
APPLICATION SPEC	取付適用規格		SIZE	A3
WEIGHT			CAGE CODE	00779
CUSTOMER DRAWING			DRAWING NO	G=5917407
			RESTRICTED TO	
			SCALE	4:1
			SHEET	1 OF 4
			REV	A1

GENERAL TOLERANCE
一般公差

10 ≥ : ±0.2
30 ≥ > 10: ±0.25
100 ≥ > 30: ±0.3
ANGLES: ±3°



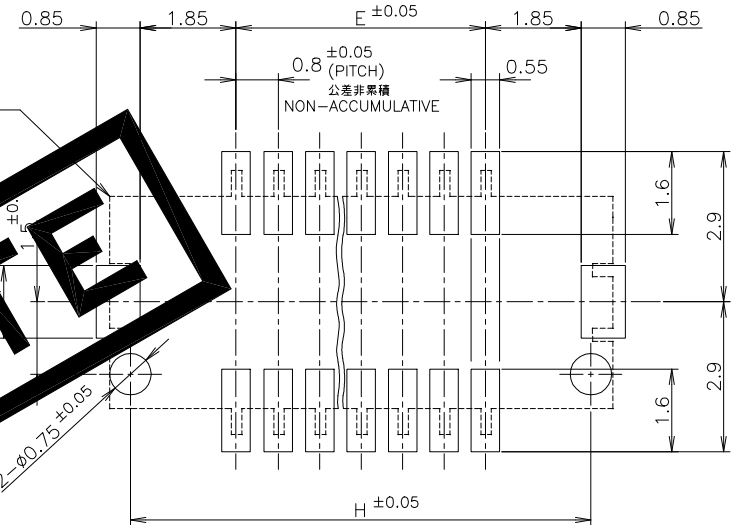
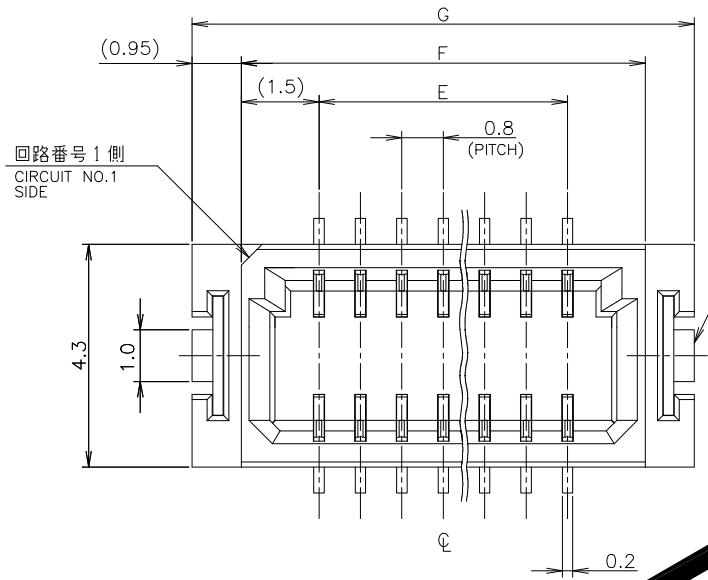
THIS DRAWING IS UNPUBLISHED. RELEASED FOR PUBLICATION DEC. 2004.

© COPYRIGHT 2004 By - ALL RIGHTS RESERVED.

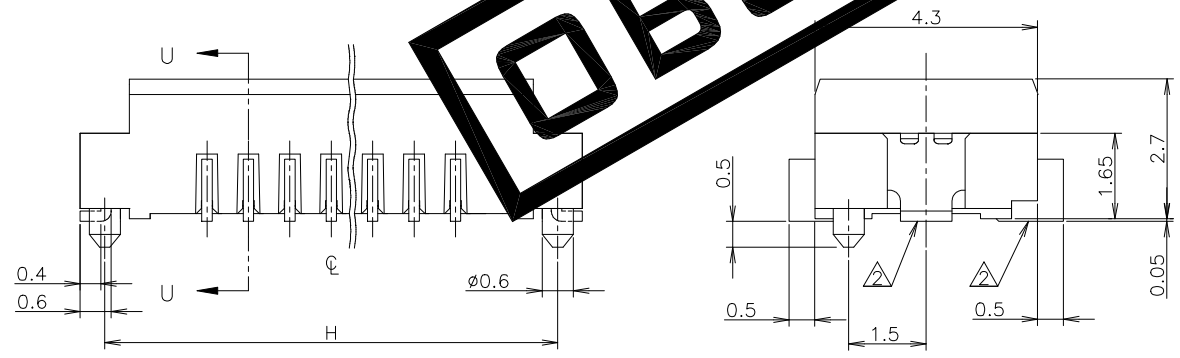
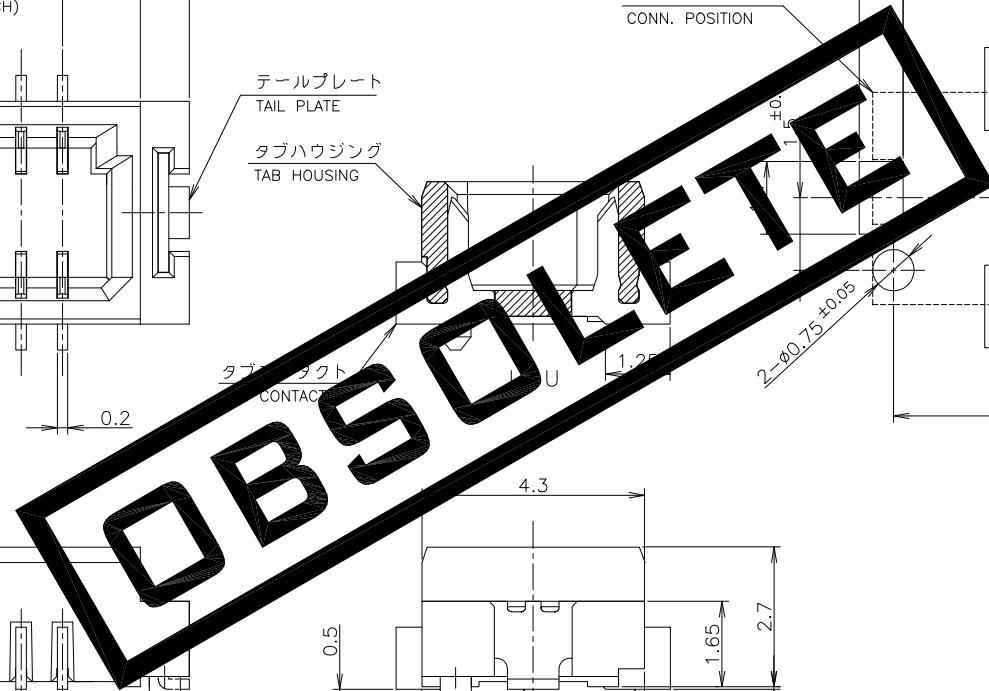
REVISIONS

P	LTR	DESCRIPTION	DATE	DWN	APVD
-	-	SEE SHEET 1	-	-	-

本図: 1- -0 コネクタ図
 AS SHOWN: 1- -0
 CONNECTOR DWG



参考基板加工寸法
REFERENCE P.C. BOARD LAYOUT



- 1 材料: タブハウジング: 46ナイロン (耐熱性樹脂)
- タブコンタクト: 銅合金 (t=0.2mm) 金めっき
- テールプレート: 銅合金 (t=0.2mm) 錫めっき

△ 全てのタイン部及びテールプレートのバラツキは 0.1mm MAX.

- 1 MATERIAL
- TAB HOUSING: 46 NYLON (HIGH HEAT-RESISTED RESIN)
- TAB CONTACT: COPPER-ALLOY (t=0.2mm) Au PLATING
- TAIL PLATE: COPPER-ALLOY (t=0.2mm) TIN PLATING

△ MISALIGNMENT BETWEEN TAINS AND TAIL PLATE: 0.1mm MAX.

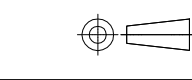
GENERAL TOLERANCE
一般公差

10 ≥	±0.2
30 ≥ > 10	±0.25
100 ≥ > 30	±0.3
ANGLES	±3°

THIS DRAWING IS A CONTROLLED DOCUMENT.

DIMENSIONS: 単位: 耗 mm

TOLERANCES UNLESS OTHERWISE SPECIFIED: 一般公差



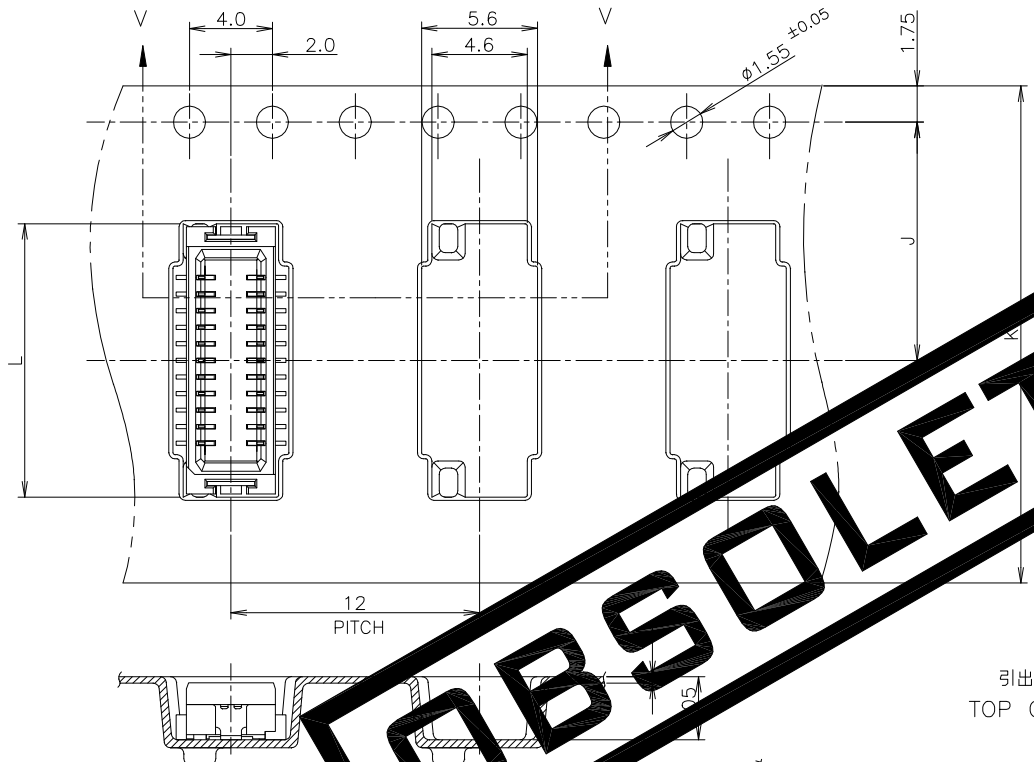
- 0 PLC ±
- 1 PLC ±
- 2 PLC ±
- 3 PLC ±
- 4 PLC ±
- ANGLES ±
- FINISH 仕上

MATERIAL 材料

INSTRUCTION SHEET 取扱説明書 411-5808	7.15 H	8.1 G	6.2 F	3.2 E	10 極数 POS	1-5917407-0 型番 PART NO
DWN	TE Connectivity Ltd.					
CHK						
APVD	NAME 名称					
PRODUCT SPEC 製品規格	ON TAPING EMBOSS					
APPLICATION SPEC 取付適用規格	0.8mm PITCH FINE MATE CONN TAB ASSEMBLY WITH BOSS V-TYPE					
WEIGHT	SIZE A3	CAGE CODE 00779	DRAWING NO 番号 G=5917407	RESTRICTED TO		
CUSTOMER DRAWING	SCALE 尺度 10:1	SHEET 2 OF 4	REV A1			

THIS DRAWING IS UNPUBLISHED. RELEASED FOR PUBLICATION DEC. 2004.
 © COPYRIGHT 2004 By - ALL RIGHTS RESERVED.

REVISIONS				
P	LTR	DESCRIPTION	DATE	APVD
-	-	SEE SHEET 1	-	-

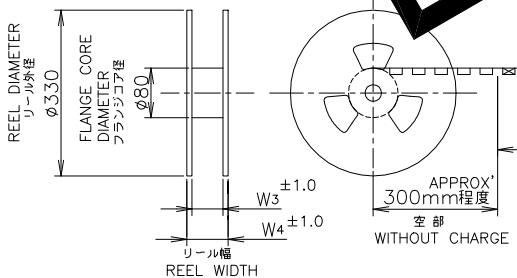


2- -2: 本図
 2- -2: AS SHOWN

OBSCLETE

引出し方向
 TOP OF REEL →

カバーテープ
 リンダー部
 WEEDING 外周一卷
 AROUND THE COVER TAPE
 PERIPHERY IN A TURN. 剝離角度, 165°~180°
 PEELING ANGLE.



29.5	25.5	0.38	13.2	24	11.5	1000	22	2	5917407-2
W ₄	W ₃	M	L	K	J	数量 (ヶ) QTY/REEL	極数 POS	リール番 コネクタ型番 TAPING P/N	

THIS DRAWING IS A CONTROLLED DOCUMENT.

DIMENSIONS: 単位: 耗 mm	TOLERANCES UNLESS OTHERWISE SPECIFIED: 一般公差	DWN	TE Connectivity Ltd. ON TAPING EMBOSS 0.8mm PITCH FINE MATE CONN TAB ASSEMBLY WITH BOSS V-TYPE	
0 PLC ± 1 PLC ± 2 PLC ± 3 PLC ± 4 PLC ± ANGLES ±	10 ≥ ±0.2 30 ≥ > 10: ±0.25 100 ≥ > 30: ±0.3 ANGLES: ±3°	CHK		
MATERIAL 材料	FINISH 仕上	APVD		
NAME 名称 SIZE A3 CAGE CODE 00779 DRAWING NO 番号 G=5917407 RESTRICTED TO		PRODUCT SPEC 製品規格 APPLICATION SPEC 取付適用規格 WEIGHT CUSTOMER DRAWING		
		SCALE 尺度 4:1	SHEET 3 OF 4	REV A1

THIS DRAWING IS UNPUBLISHED.

RELEASED FOR PUBLICATION

DEC., 2004.

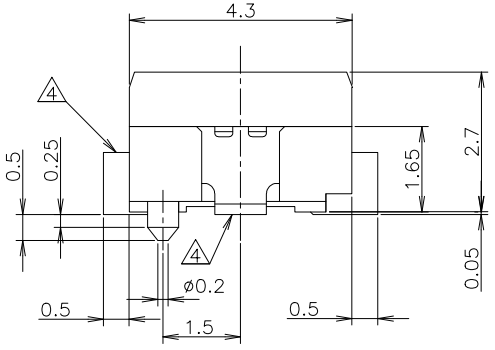
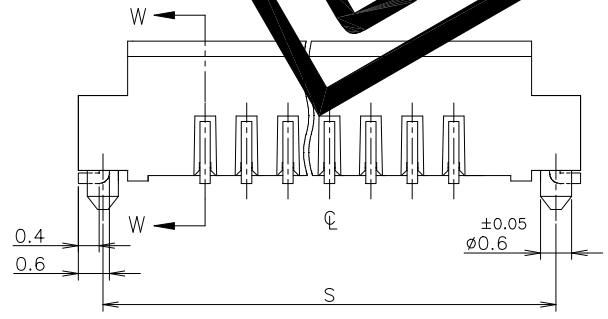
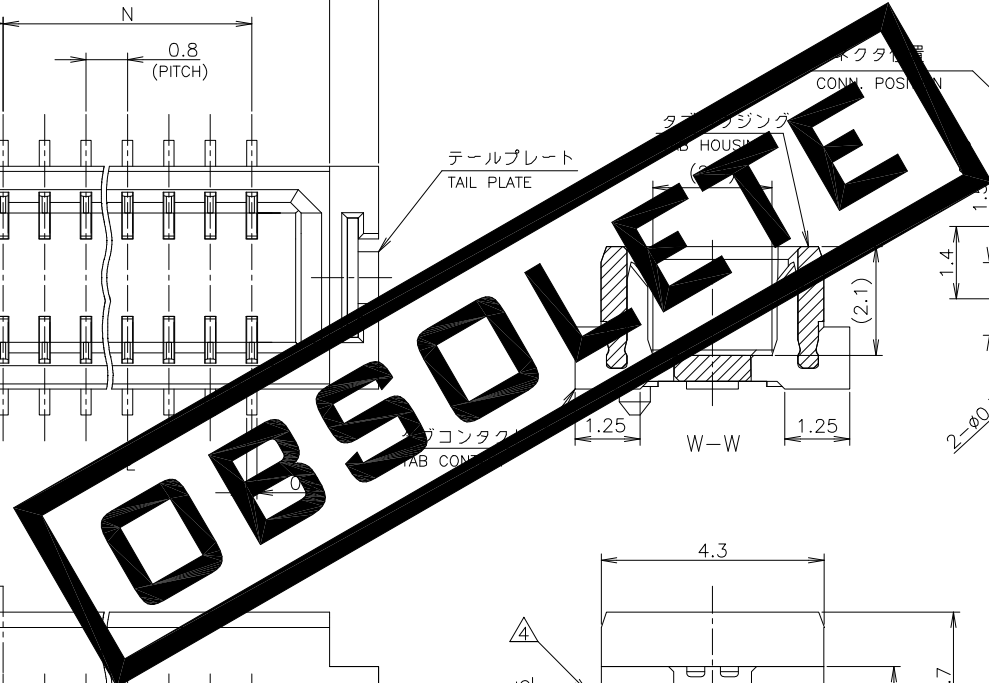
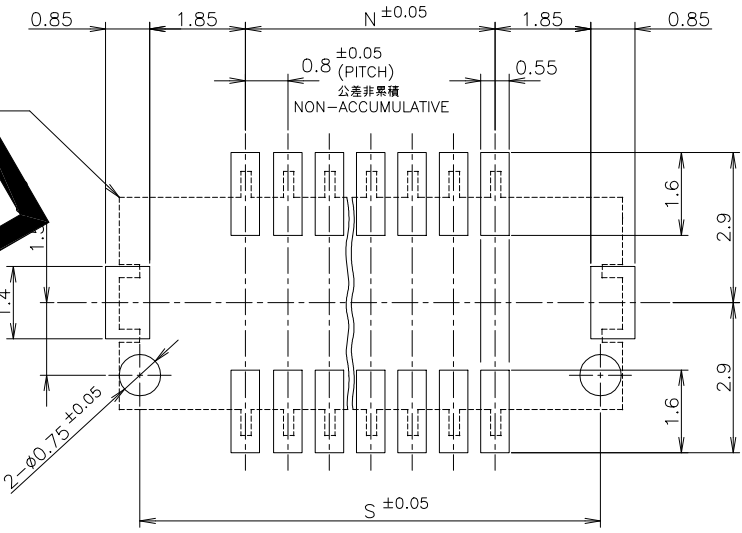
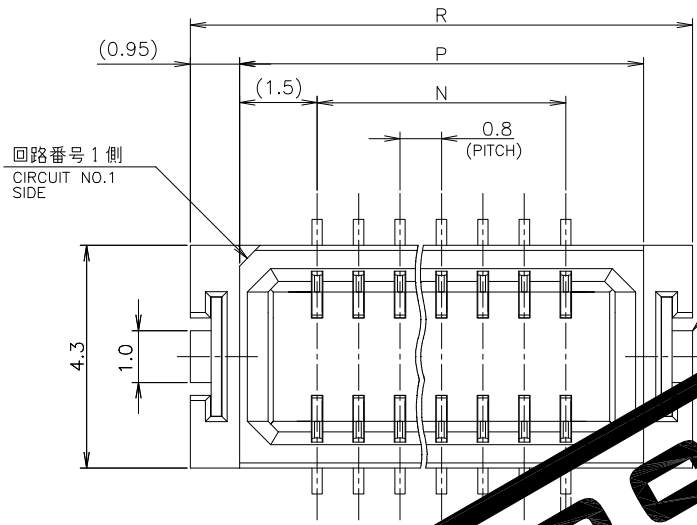
© COPYRIGHT 2004 By -

ALL RIGHTS RESERVED.

REVISIONS

P	LTR	DESCRIPTION	DATE	DWN	APVD
-	-	SEE SHEET 1	-	-	-

本図: 2- -2 コネクタ図
AS SHOWN: 2- -2
CONNECTOR DWG



- 3 材料: タブハウジング: 46ナイロン (耐熱性樹脂)
- タブコンタクト: 銅合金 (t=0.2mm) 金めっき
- テールプレート: 銅合金 (t=0.2mm) 錫めっき

△ 全てのタイン部及びテールプレートのバラツキは 0.1mm MAX.

- 3 MATERIAL
- TAB HOUSING: 46 NYLON (HIGH HEAT-RESISTED RESIN)
- TAB CONTACT: COPPER-ALLOY (t=0.2mm) Au PLATING
- TAIL PLATE: COPPER-ALLOY (t=0.2mm) POST TIN PLATING

△ MISALIGNMENT BETWEEN TAINS AND TAIL PLATE: 0.1mm MAX.

GENERAL TOLERANCE
一般公差

10 ≥	±0.2
30 ≥ > 10:	±0.25
100 ≥ > 30:	±0.3
ANGLES:	±3°

THIS DRAWING IS A CONTROLLED DOCUMENT.

DIMENSIONS:
単位: 耗 mm

TOLERANCES UNLESS OTHERWISE SPECIFIED:
一般公差

0 PLC	±
1 PLC	±
2 PLC	±
3 PLC	±
4 PLC	±
ANGLES	±

FINISH
仕上

INSTRUCTION SHEET 取扱説明書	411-5808	11.95	12.9	11.0	8.0	22	2-5917407-2
DWN		S	R	P	N	極数 POS	型番 PART NO
CHK		STE TE Connectivity Ltd.					
APVD		ON TAPING EMBOSS 0.8mm PITCH FINE MATE CONN TAB ASSEMBLY WITH BOSS V-TYPE					
PRODUCT SPEC 製品規格	108-5512						
APPLICATION SPEC 取付適用規格							
WEIGHT		SIZE	CAGE CODE	DRAWING NO 番号	RESTRICTED TO		
CUSTOMER DRAWING		A3	00779	G=5917407			
		SCALE 尺度	10:1	SHEET 4 OF 4	REV A1		