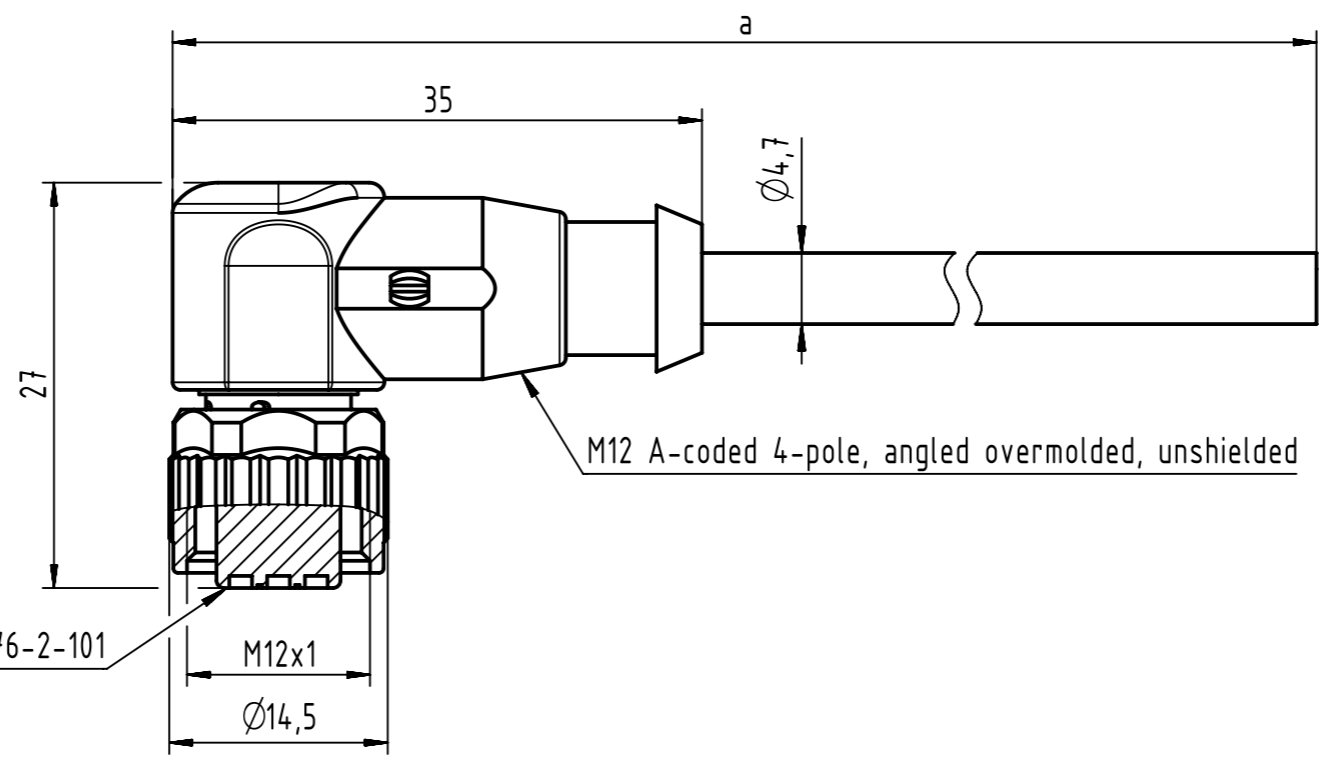
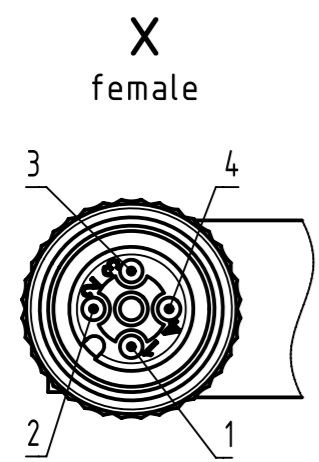


Connector Location A

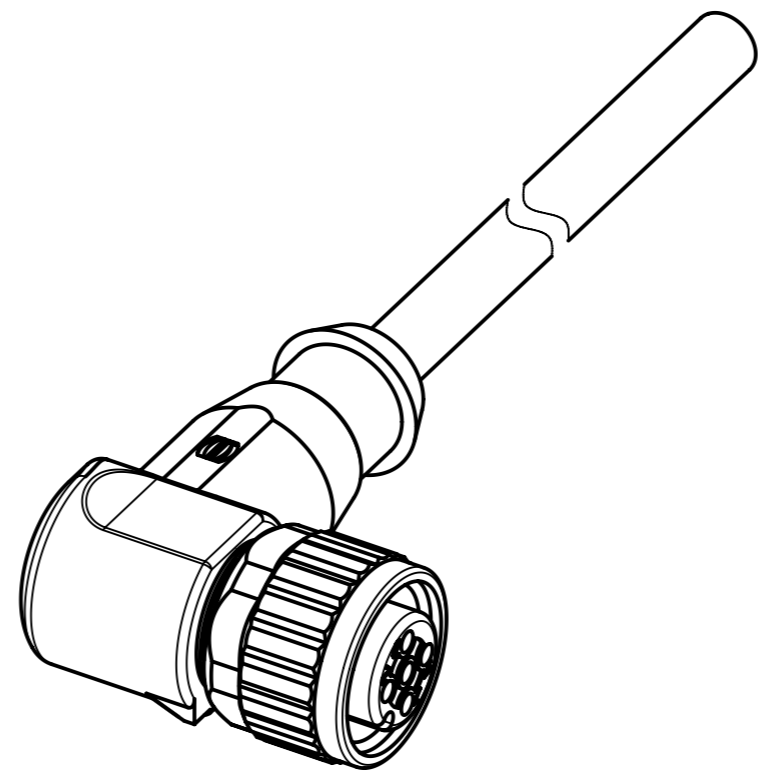
Connector Location B



X



- Loading-Plan:
- 1 brown
  - 2 white
  - 3 blue
  - 4 black



length in "1m" step	40	XXX=400
	39	XXX=390
	.	.
	12	XXX=120
length in "0.1m" step	11	XXX=110
	10	XXX=100
	9.9	XXX=099
	9.8	XXX=098
	.	.
	0.4	XXX=004
	0.3	XXX=003
	0.2	XXX=002
	0.1	XXX=001
Step	a [m]	XXX

4.0 to 40	±1%
0.1 to 3.9	+0.04
a [m]	Tolerance

Part no.	213487004XXXXXX
Type of cable	XX
PVC grey, 4x0.34mm <sup>2</sup>	XX=84
PUR light grey, 4x0.34mm <sup>2</sup>	XX=61

- Protection level: IP65/67  
 - Temperature range: -25°C ... +80°C

	All rights reserved	Created by COSTEA Costea	Inspected by MUNTEANV Muntean	Standardisation MUNTEANV Muntean	Date 2019-01-11	State Final Release
Department HCS - RO		Title M12 Cable Assembly A-cod an/- f/-			Doc-Key / ECM-Nr. 100578836/UGD/009/E 500000145017	
HARTING Customised Solutions D-32339 Espelkamp		Type TB	Number 213487004XXXXXX		Rev. E	Page 1/1