

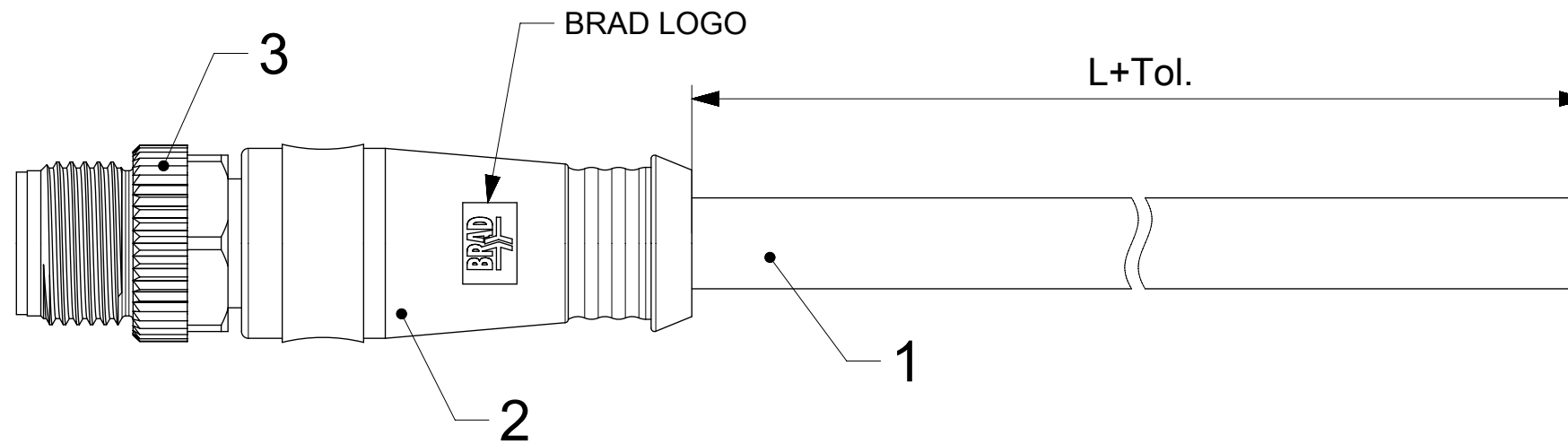
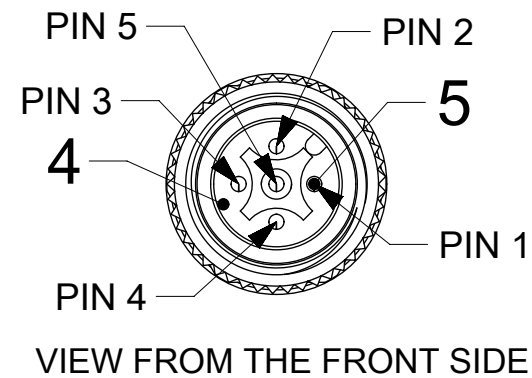
CABLE SPECIFICATION:

CONDUCTOR:
 MATERIAL: TIN COPPER
 STRANDING: 19x0.19mm n°xmm
 INSULATION COMPOUND: XLPE
 INSULATION DIAMETER:
 1.6mm YELLOW & GREEN
 2.5mm BROWN & WHITE
 OUTER JACKET:
 COMPOUND: PUR
 COLOR: VIOLET SIMILAR TO RAL 4001
 DIAMETER: 6.7±0.3mm
 TEMPERATURE RANGE:
 STATIC: -50°C TO +80°C
 FLEXING: -40°C TO +90°C
 VOLTAGE RATING: 300V

WIRING DIAGRAM



REVISION A TRANSFERRED TO ECTR / ADDED NEW PN



BILL OF MATERIAL

ITEM	QTY.	DESCRIPTION	MATERIAL	FINISH
5	5	CONTACT MA	COPPER	GOLD OVER Ni-PLATED
4	1	INSERT M12 MA AC 5P BK	PUR	-
3	1	COUPLING NUT M12 MA	BRASS	Ni-PLATED
2	-	OVERMOULD BK	TPU	-
1	-	CABLE 2x0.50 CB+2x0.50 VT	PUR	-

TABLE 1

MOLEX PN	ENGINEERING No	L+Tol. [mm]
1200659620	BG20970-M006	600 +45/-0
1200659580	BG20970-M030	3000 +89/-0
1200659581	BG20970-M050	5000 +165/-0
1200659582	BG20970-M100	1000 +317/-0
1200659988	BG20970-M150	15000 +610/-0

THIS DRAWING CONTAINS INFORMATION THAT IS PROPRIETARY TO MOLEX ELECTRONIC TECHNOLOGIES, LLC AND SHOULD NOT BE USED WITHOUT WRITTEN PERMISSION

EC NO: 110747 DRWN: AKONDRACIUK CHK'D: MIWASIECZKO APPR: MIWASIECZKO	2016/11/22	2016/11/24	GENERAL TOLERANCES (UNLESS SPECIFIED)	DIMENSION UNITS	SCALE			
			ANGULAR TOL ± °	MM	2:1			
			4 PLACES ±	DRWN BY	DATE			
			3 PLACES ±	AKONDRACIUK	2016/11/22			
		2 PLACES ±	CHK'D BY	DATE	CSE M12 5P AC MA STR CAN XM PRODUCT CUSTOMER DRAWING			
		1 PLACE ±	APPR BY	DATE				
		0 PLACES ±	MIWASIECZKO	2016/11/24				
		DRAFT WHERE APPLICABLE MUST REMAIN WITHIN DIMENSIONS	DRAWING SIZE	THIRD ANGLE PROJECTION	SERIES	MATERIAL NUMBER	CUSTOMER	
			A3		120065	SEE TABLE 1		
					DOCUMENT NUMBER	DOC TYPE	DOC PART	SHEET NUMBER
					1200659620	PSD	00P	1 OF 1