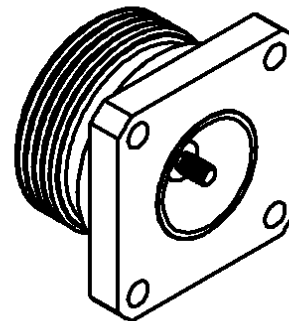
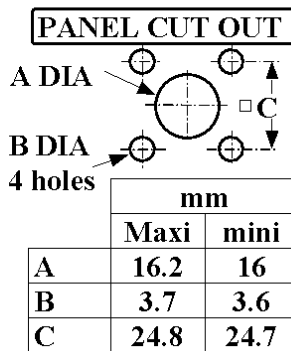
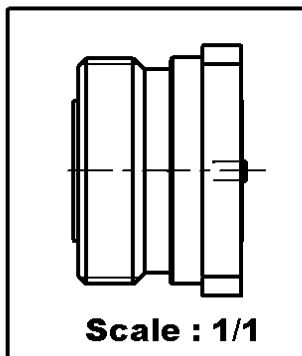
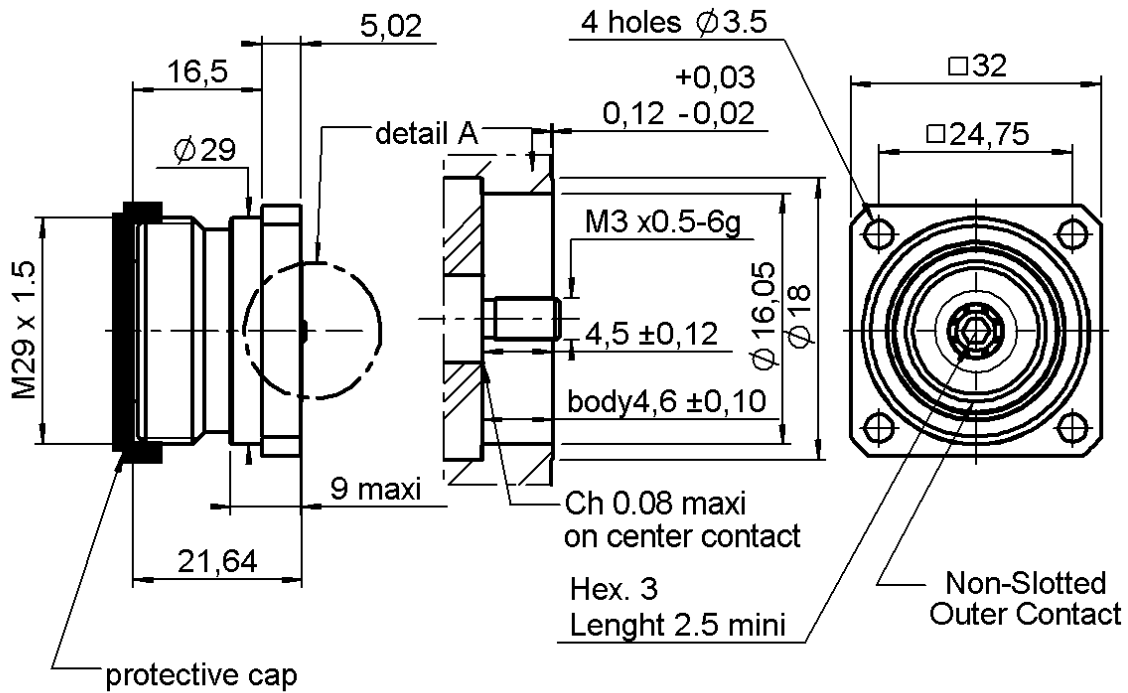


SQUARE FLANGE RECEPTACLE
M3 REAR MOUNTING .PACKAGING50

R185.406.090

Series : 7-16



All dimensions are in mm.

COMPONENTS	MATERIALS	PLATINGS (μm)
BODY	BRASS	BBR 0.5 OVER SILVER 3
CENTER CONTACT	BRONZE	SILVER 5 PASSIVATED OVER COPPER 0.5
OUTER CONTACT	BRASS	SILVER 5 PASSIVATED OVER COPPER 0.5
INSULATOR	PTFE	
GASKET		
OTHERS PARTS		
-	-	-
-	-	-

Issue : 0330 A

In the effort to improve our products, we reserve the right to make changes judged to be necessary.



SQUARE FLANGE RECEPTACLE
M3 REAR MOUNTING .PACKAGING50

R185.406.090

Series : 7-16

PACKAGING

SPECIFICATION

Standard	Unit	Other
50	'W' option	Contact us

ELECTRICAL CHARACTERISTICS

ENVIRONMENTAL

Impedance **50** Ω
 Frequency **0-7.5** GHz
 VSWR **1.02 + 0.020** x F(GHz) Maxi
 Insertion loss **0.05** √F(GHz) dB Maxi
 RF leakage - (**NA** - F(GHz)) dB Maxi
 Voltage rating **1400** Veff Maxi
 Dielectric withstanding voltage **4000** Veff mini
 Insulation resistance **10000** MΩ mini

Operating temperature **-55/+120** ° C
 Hermetic seal **NA** Atm.cm3/s
 Panel leakage **NA**

OTHERS CHARACTERISTICS

Assembly instruction **NA**

Others :
 Intermod: -125dbm over 2x20W carriers
 Typical VSWR at 2.2GHz: 1.03

MECHANICAL CHARACTERISTICS

Center contact retention
 Axial force – Mating end **200** N mini
 Axial force – Opposite end **NA** N mini
 Torque **NA** N.cm mini

Recommended torque
 Mating **NA** N.cm
 Panel nut **NA** N.cm

Mating life **500** Cycles mini
 Weight **79.100** g

Issue : 0330 A

In the effort to improve our products, we reserve the right to make changes judged to be necessary.

